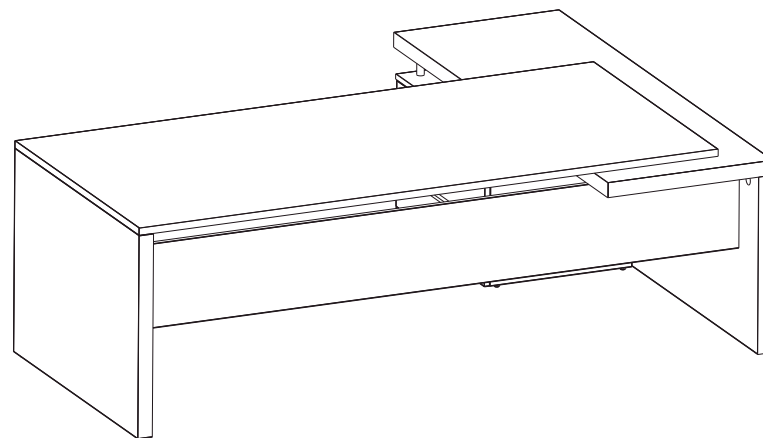
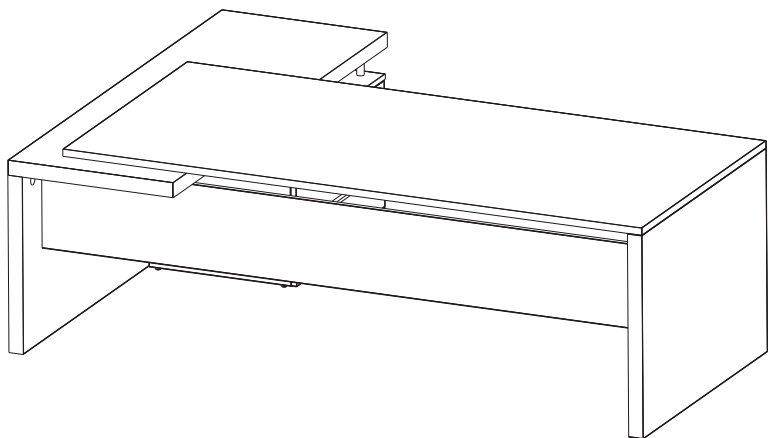


CA 2310

1/4

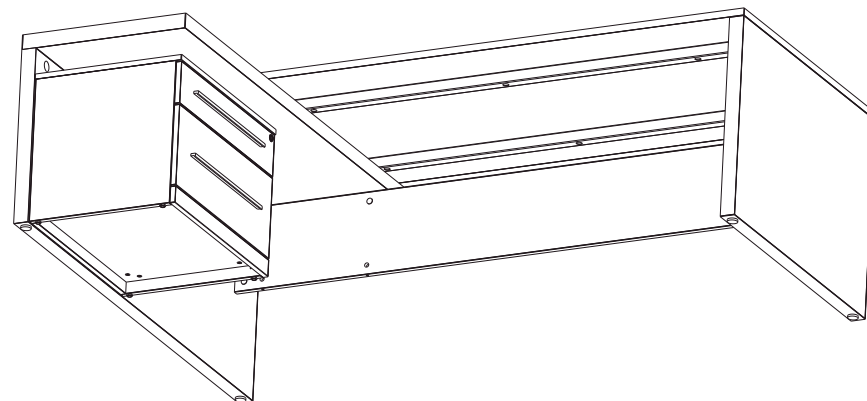
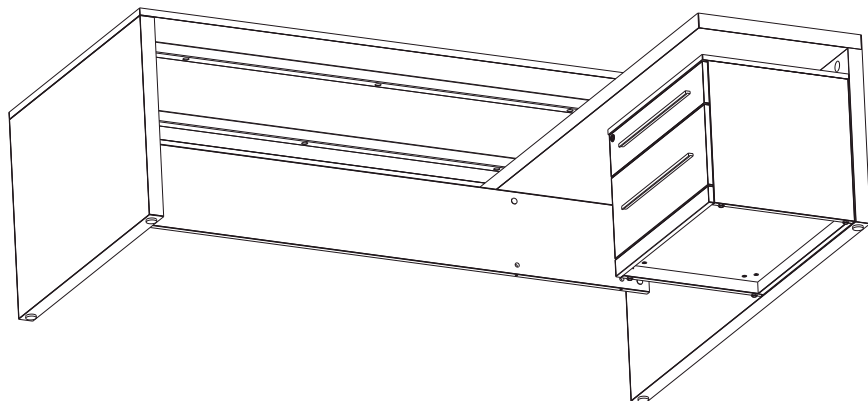
FRONT VIEW



RIGHT

LEFT

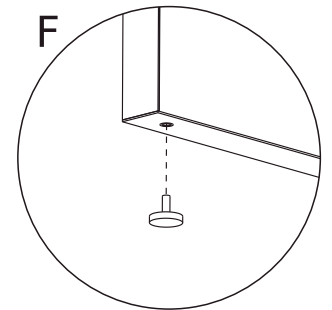
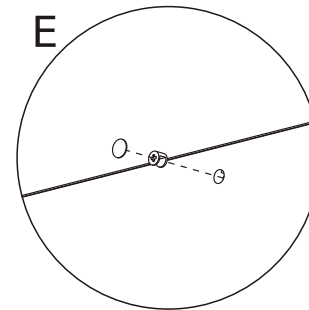
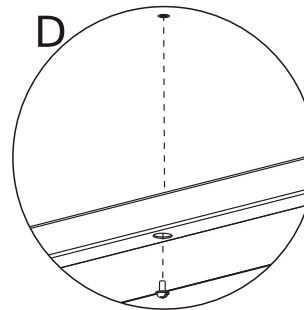
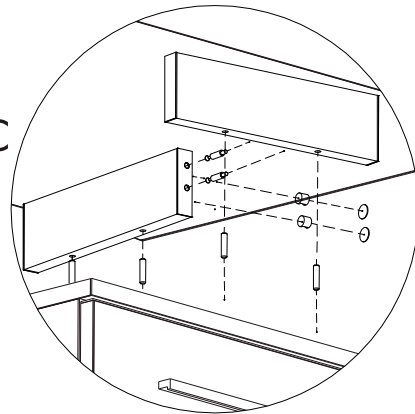
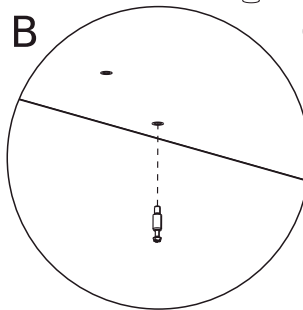
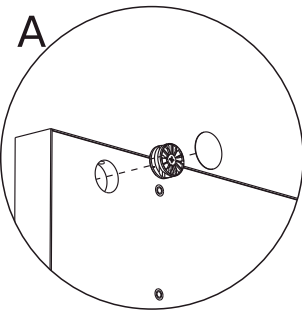
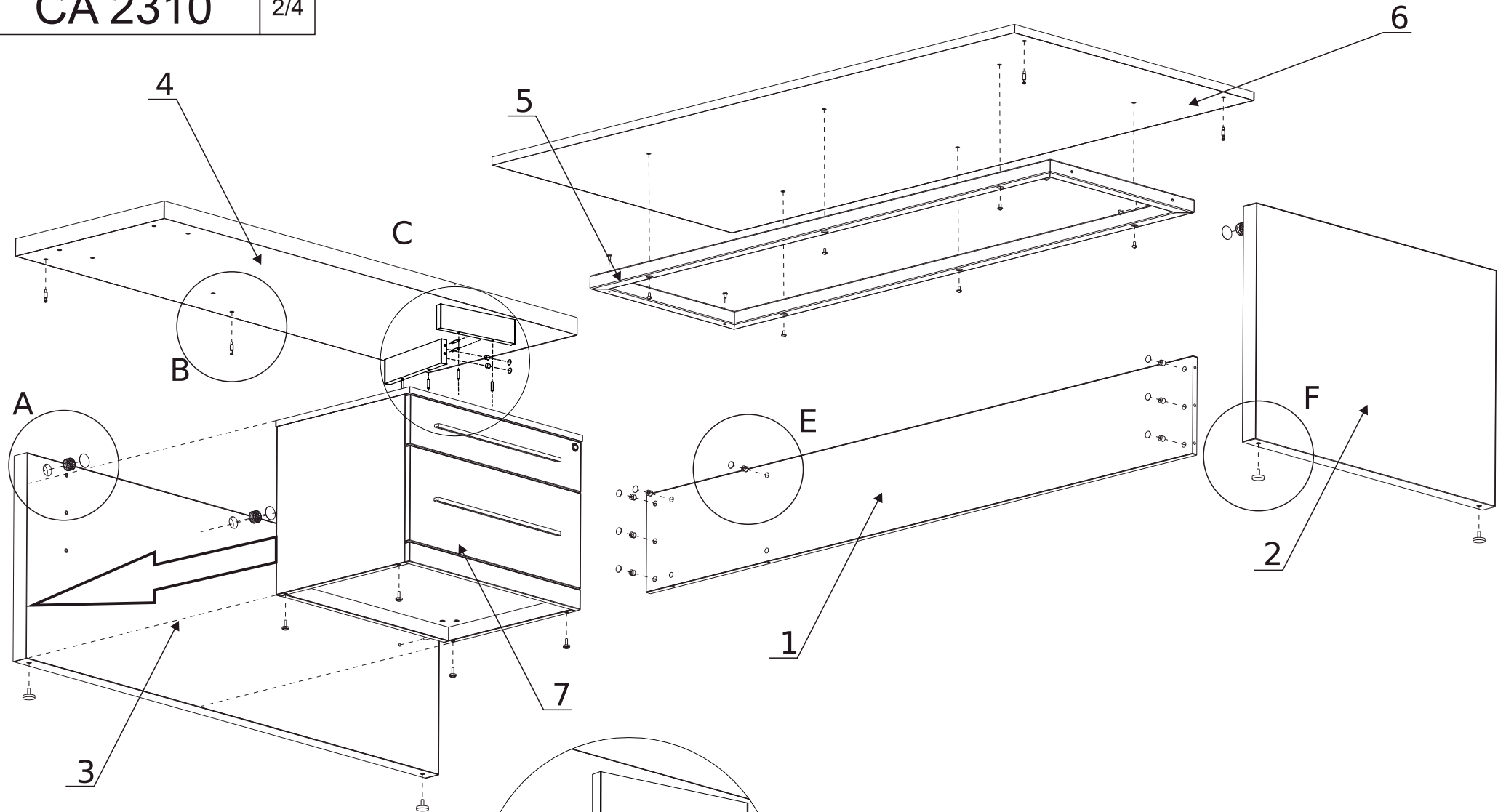
BACK VIEW



RIGHT


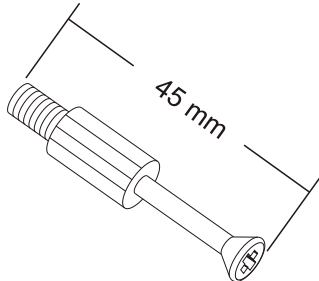
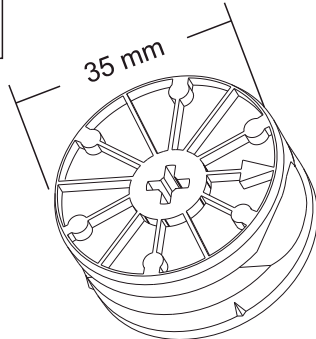
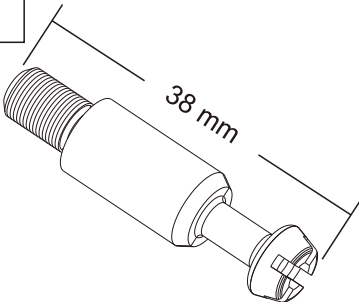
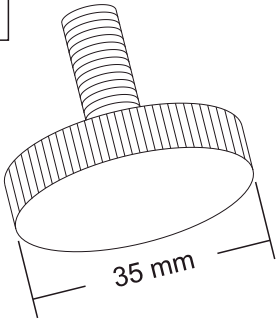
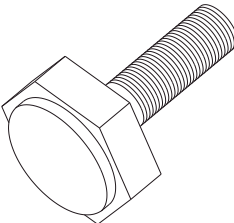
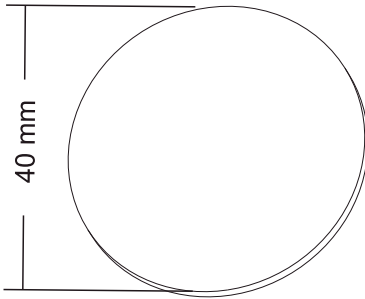
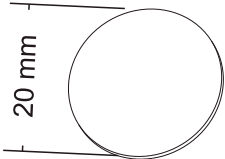
LEFT

All works and content contained in this material is proprietary of METRO Robert Metelicki, www.metromoble.pl. (texts, images, graphics, solutions, etc) are protected by law. Duplicate, copying, reprint, storage and processing content with the use of any electronic or printed means, either in whole or in part also redistribute without permission of proprietor is strictly prohibited.



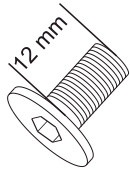
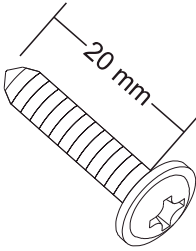
CA 2310

3/4

NAZWA NAME		ILOŚĆ QUANTITY	INDEX	PUS15	TE
PUSZKA MAŁA CAN SMALL	ECCENTRIC CONNECTION (SET)	8	PUS15		
TRZPIEŃ MAŁY PIN SMALL		8	TE	PUS35	TMG
PUSZKA DUŻA CAN LARGE	ECCENTRIC CONNECTION (SET)	5	PUS35		
TRZPIEŃ DUŻY PIN LARGE		5	TMG		
ŚLIZG FEET		4	SLI35		
ŚLIZG MAŁY FEET SMALL		4	SLI17	ZAS40	ZAS20
ZASŁEPKA DUŻA SELF-ADHESIVE CAP LARGE		5	ZAS40		
ZASŁEPKA MAŁA SELF-ADHESIVE CAP SMALL		8	ZAS20		

CA 2310

4/4

NAZWA NAME	ILOŚĆ QUANTITY	INDEX	SC612	WA420
SRUBA M6X12 SCREW M6X12	8	SC612		
WKRET 4X20 SCREW 4X20	2	WA420	KOL	
KOŁEK 8x35mm PIN 8x35mm	4	KOL	