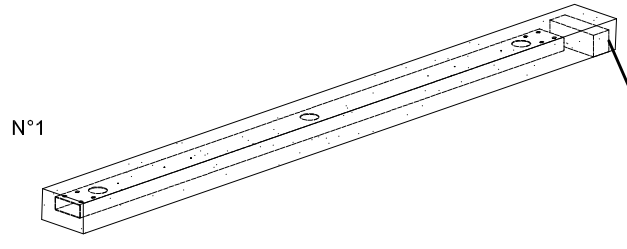
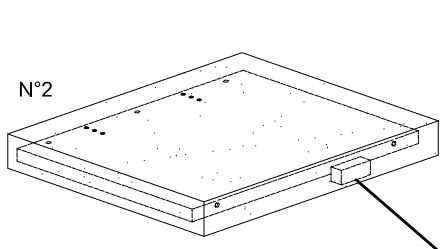
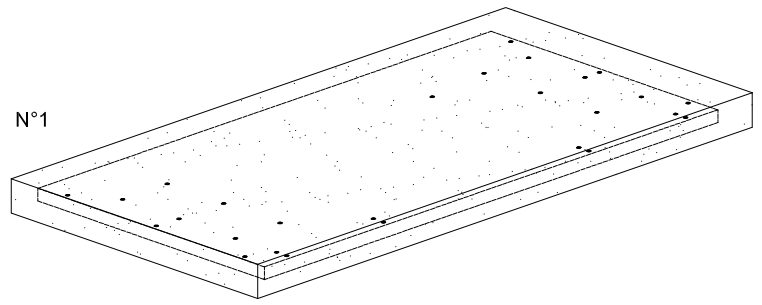
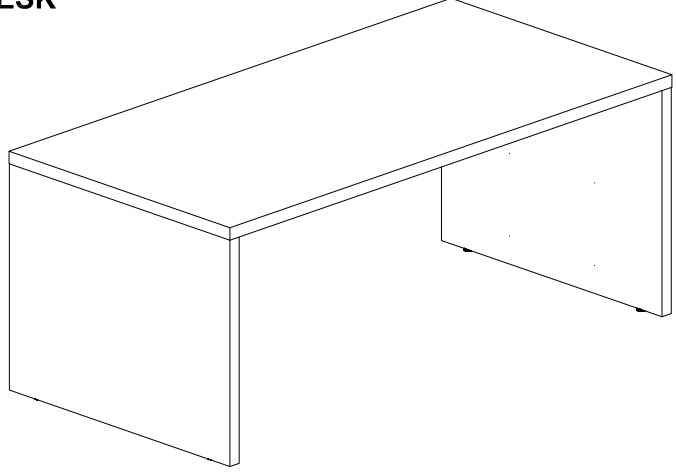


 Ø7 - M6 A	 Ø15 B	 Ø15 C	 Ø25X24-M8 D	 TC 2,9X13 E	 TPEI M6X20 F	 TSPEI M6X14 G	 80X32X94 H	 Ø55 I	 150X30X3 L	 TBL M6X15 M	 TC 5X20 N	 TPEI M6X15 O	 TC 4X10 P	 Ø16 X 1 Q	 R
 17X17X15 S	 TPS 3X18 T	 TSEI 5X40 U	 TPS 4X25 V	 TC 4X27 Z	 X	 Ø15 Y									

DESK



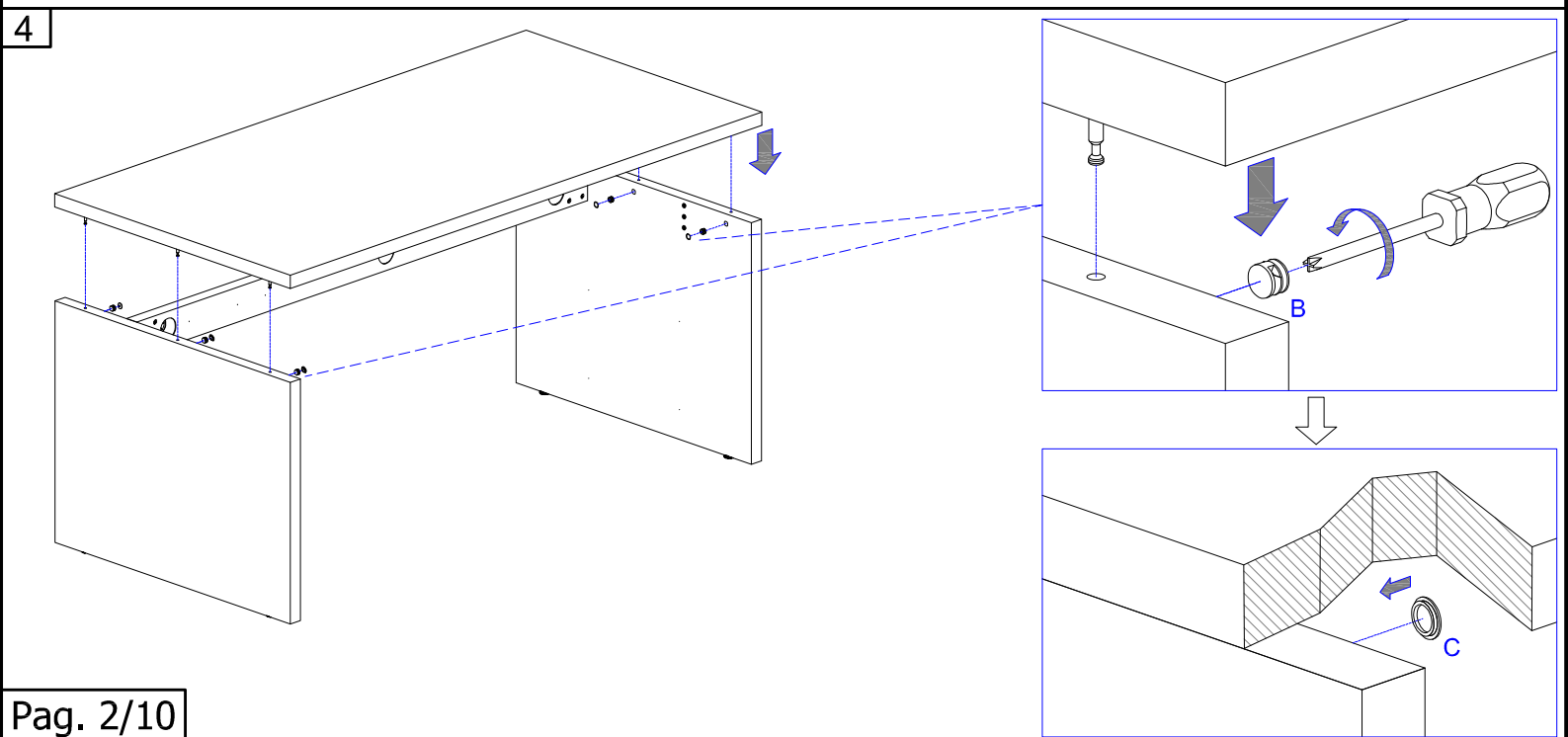
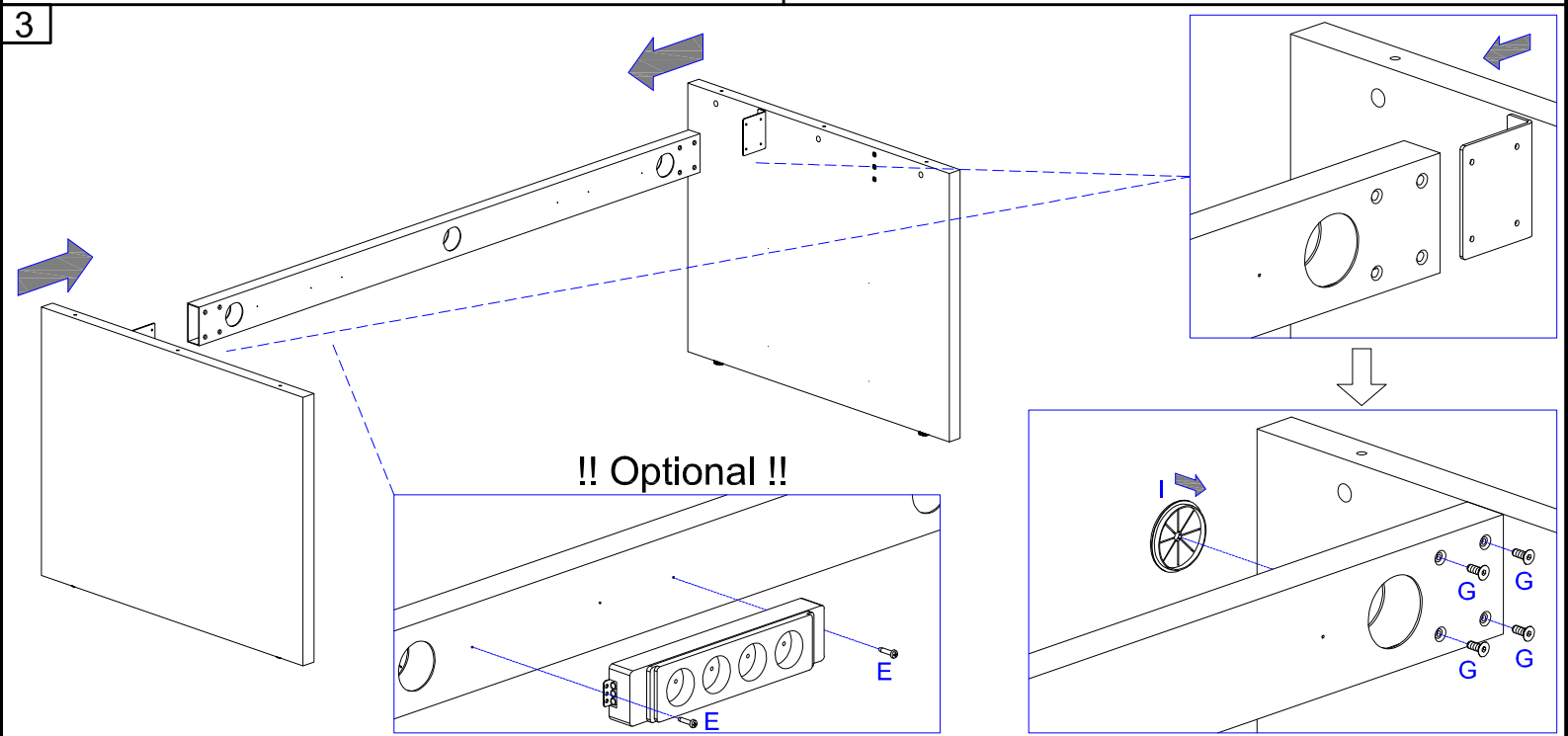
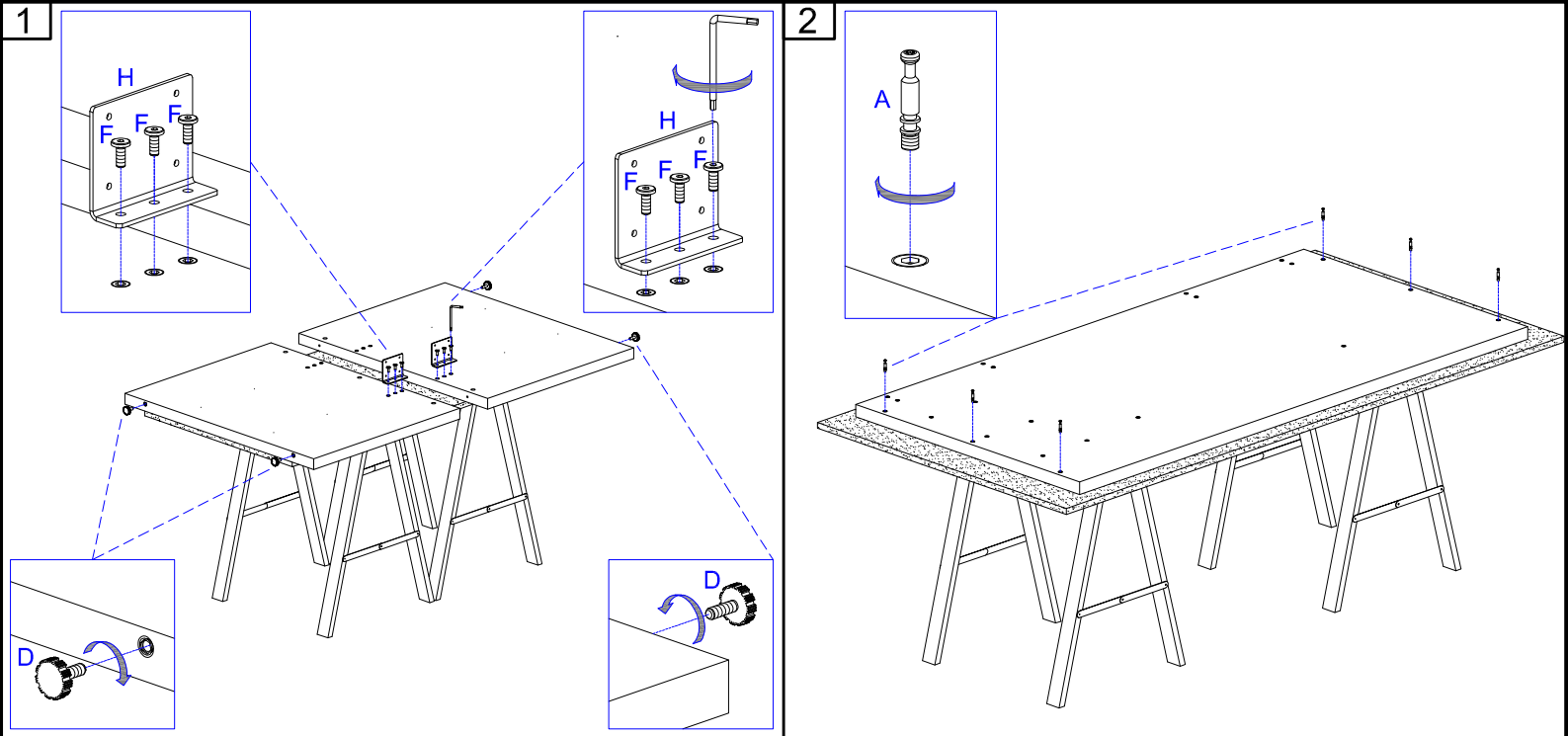
CHECK LIST

4FESC08400

A		3
B		3
C		3
D		2






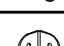
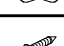
CHECK LIST

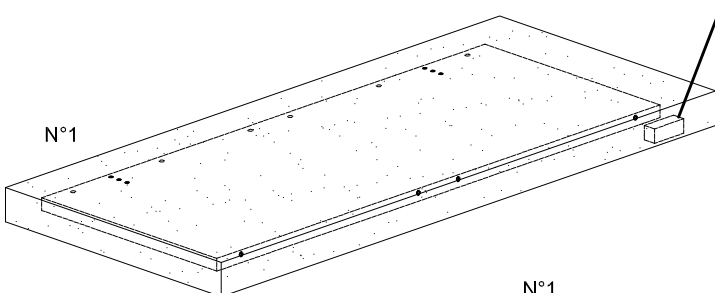
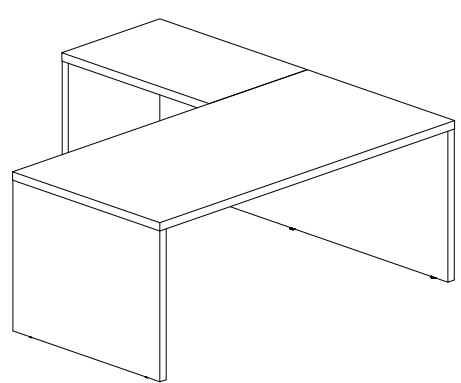
E		2
F		6
G		8
H		2
I		2





DESK WITH RETURN DESK

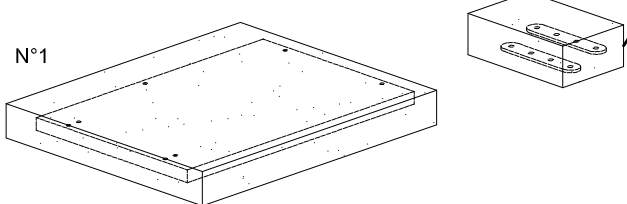
CHECK LIST 4FESC08600

A		6
B		6
O		6
D		3
R		1
S		1
T		2








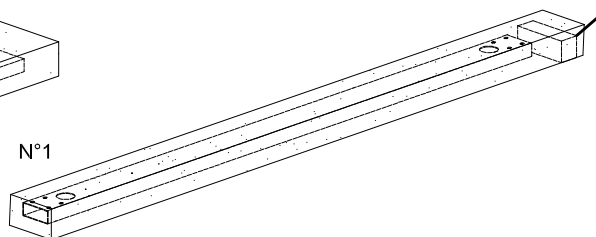
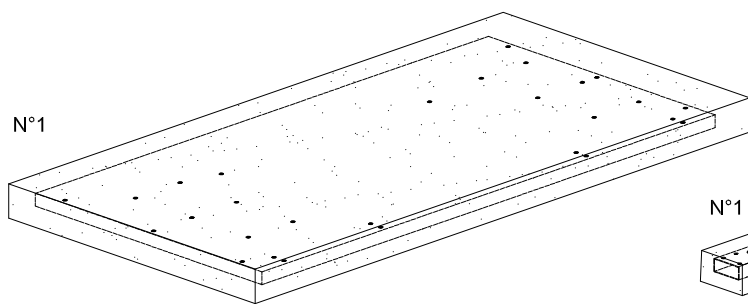
CHECK LIST 7YST03702

L		2
M		8
N		8







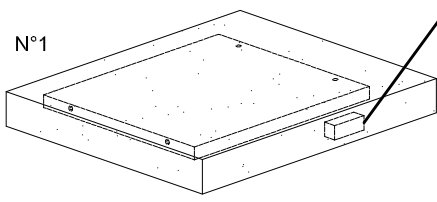
CHECK LIST

E		2
F		6
G		8
H		2
I		2







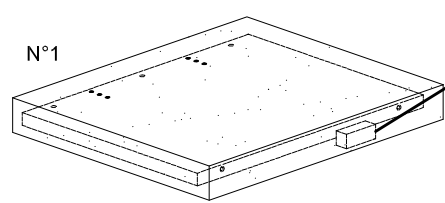
CHECK LIST 4FESC08500

A		2
B		2
C		2
D		2

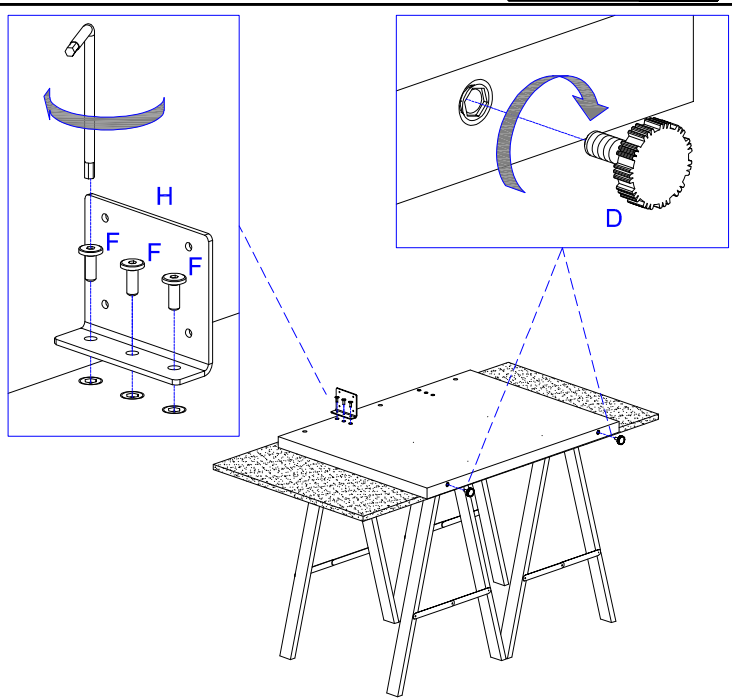


CHECK LIST 4FESC08400

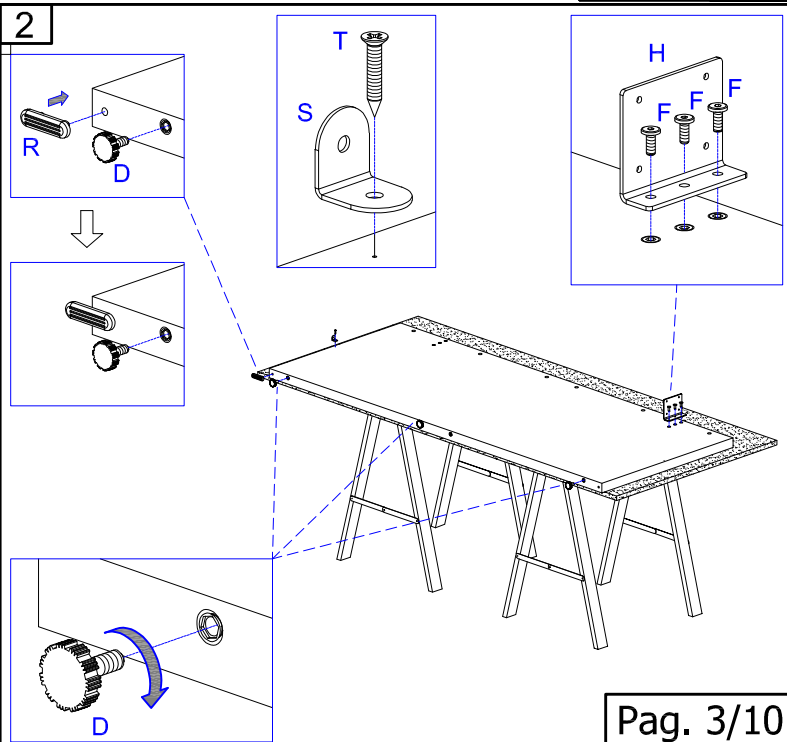
A		3
B		3
C		3
D		2



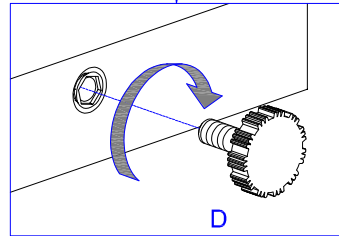
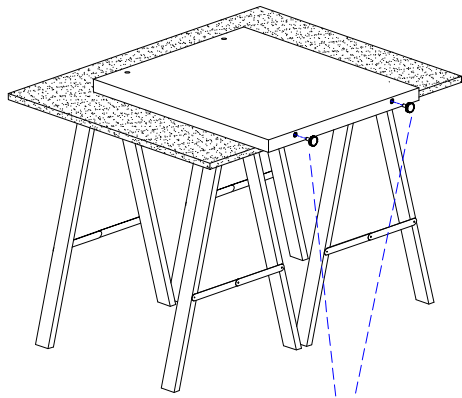
1



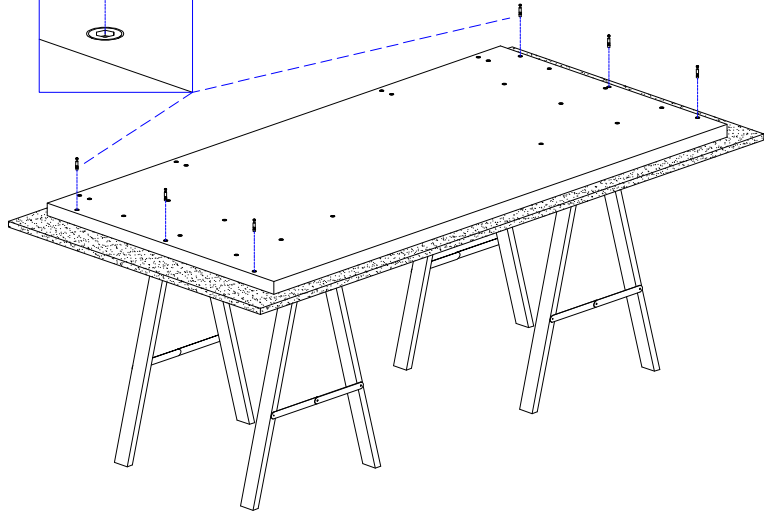
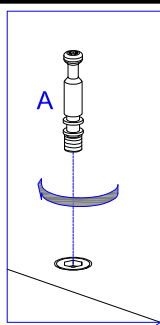
2



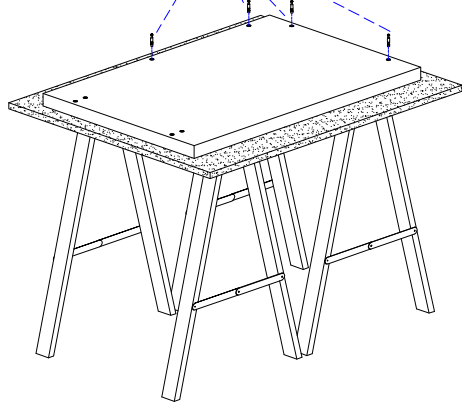
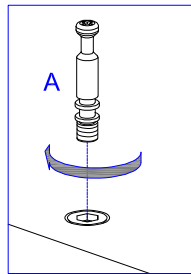
3



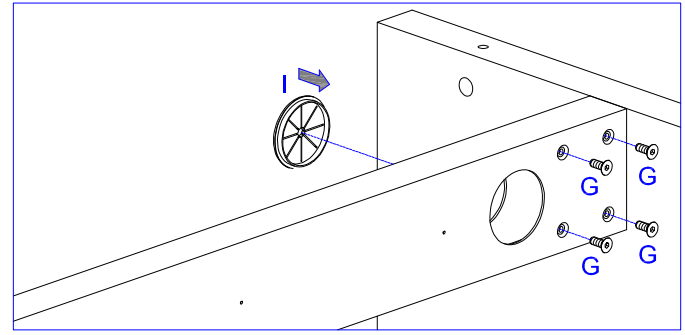
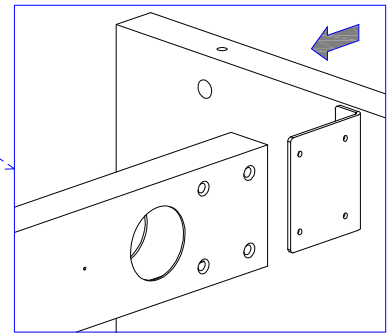
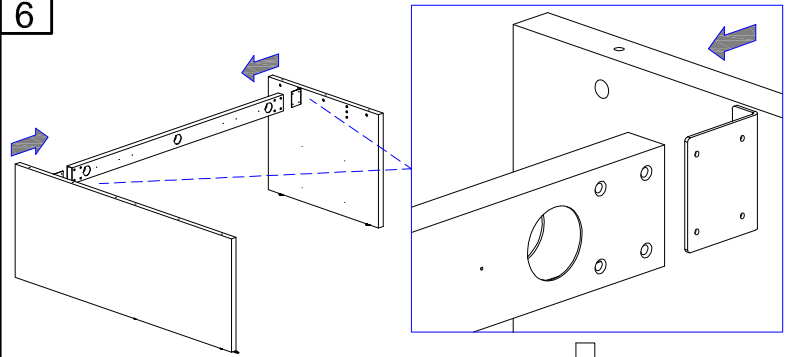
4



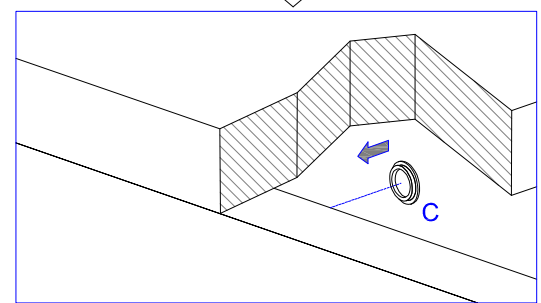
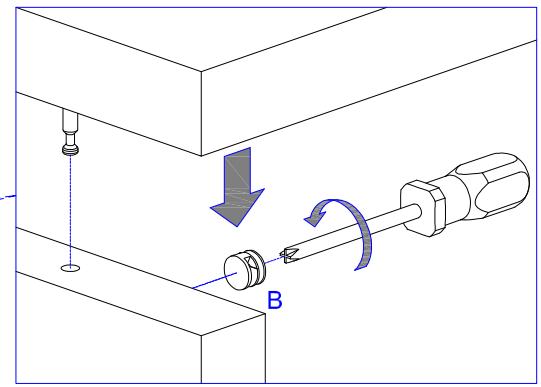
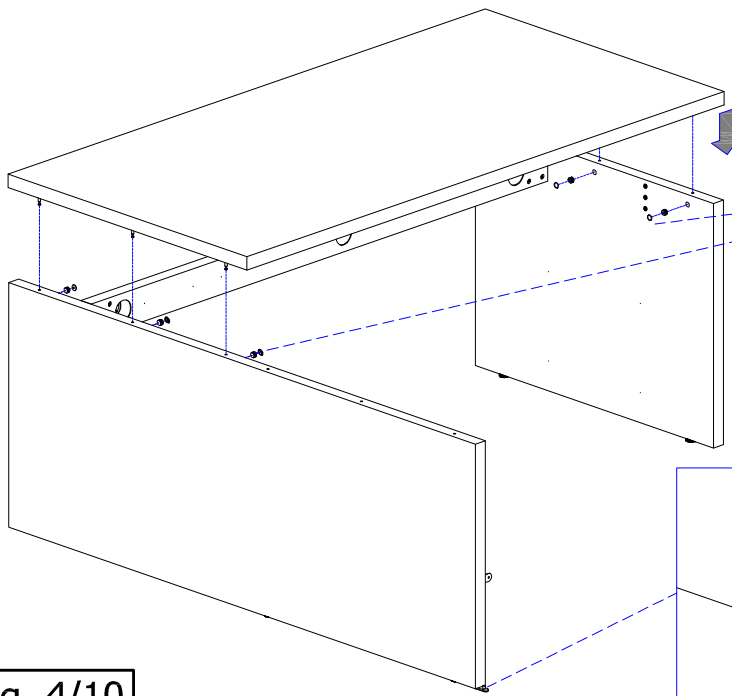
5



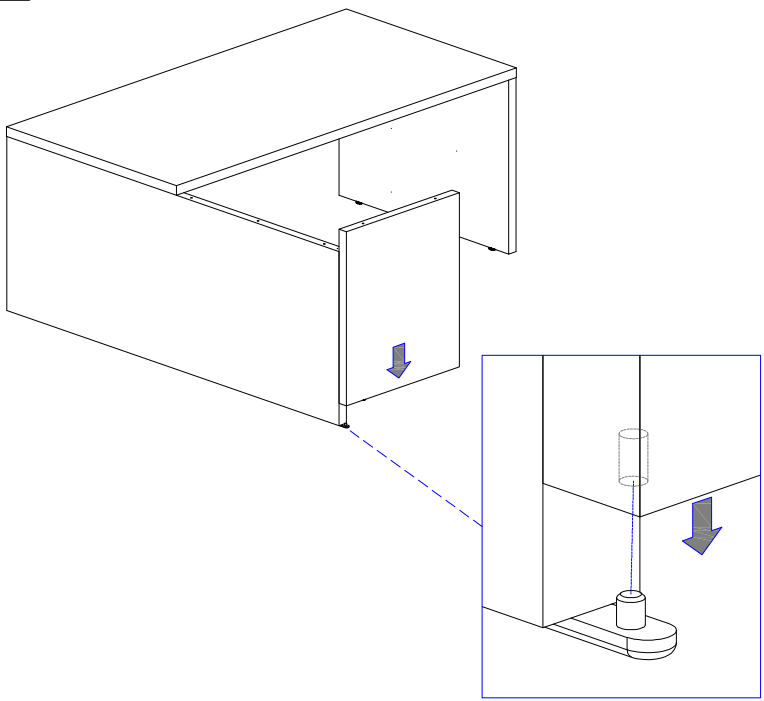
6



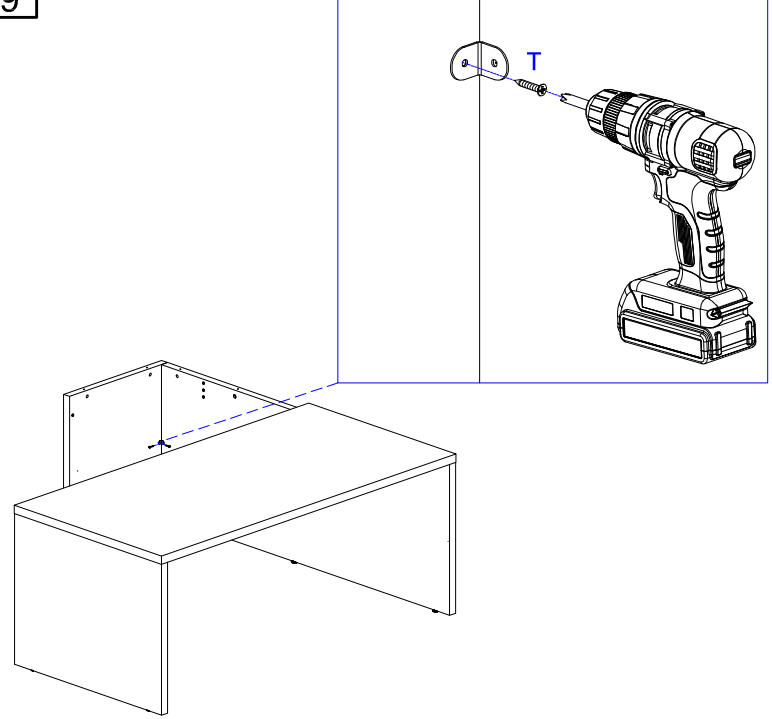
7



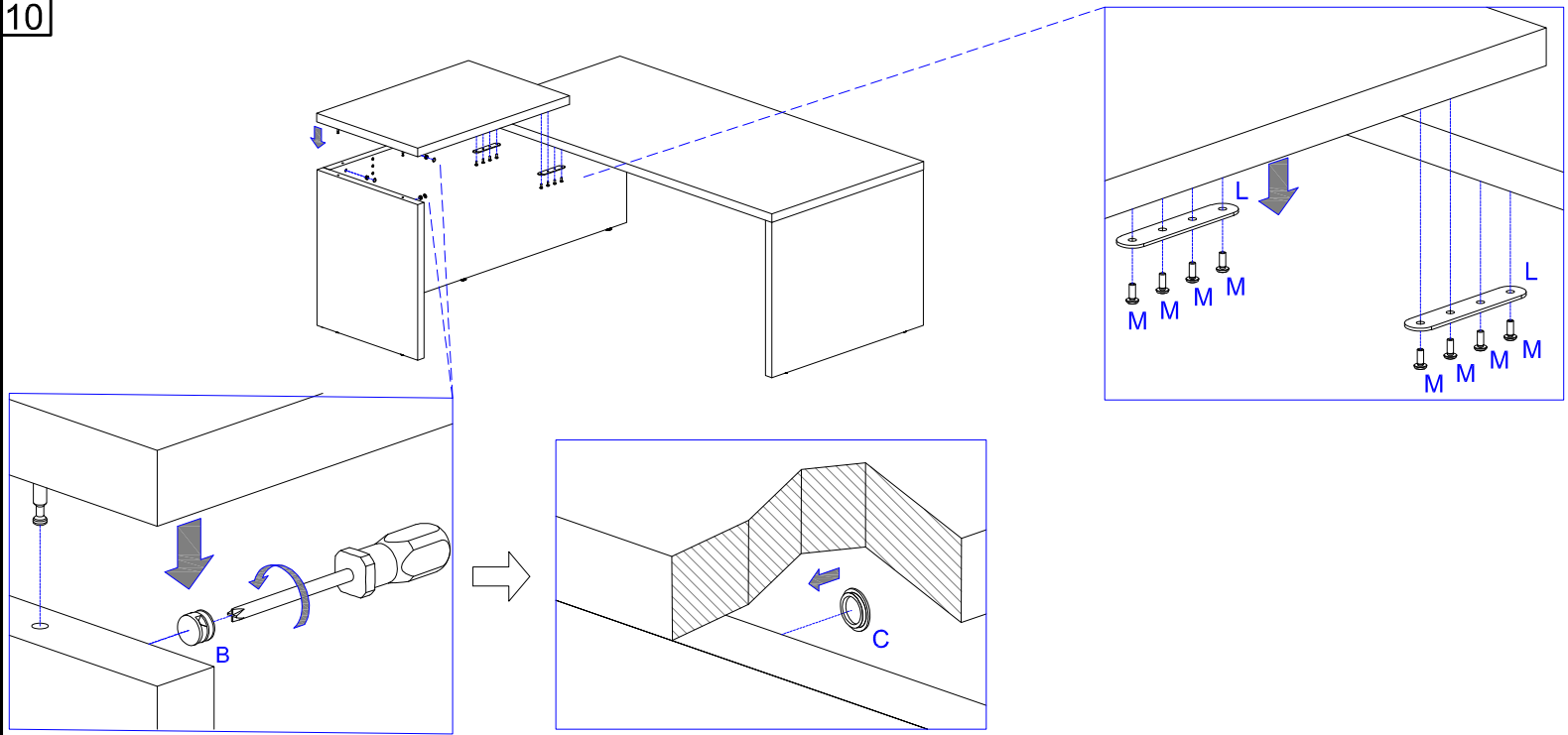
8



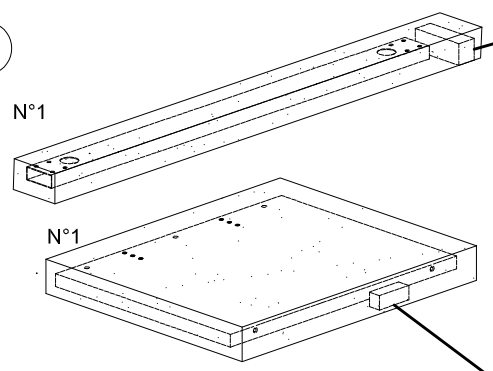
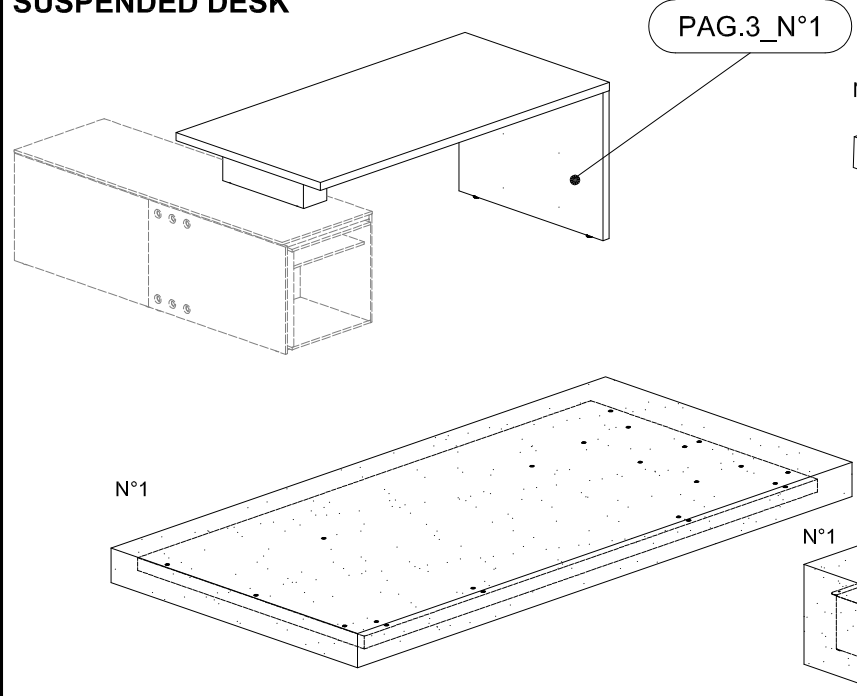
9



10



SUSPENDED DESK



CHECK LIST

E		2
F		6
G		8
H		2
I		2

CHECK LIST

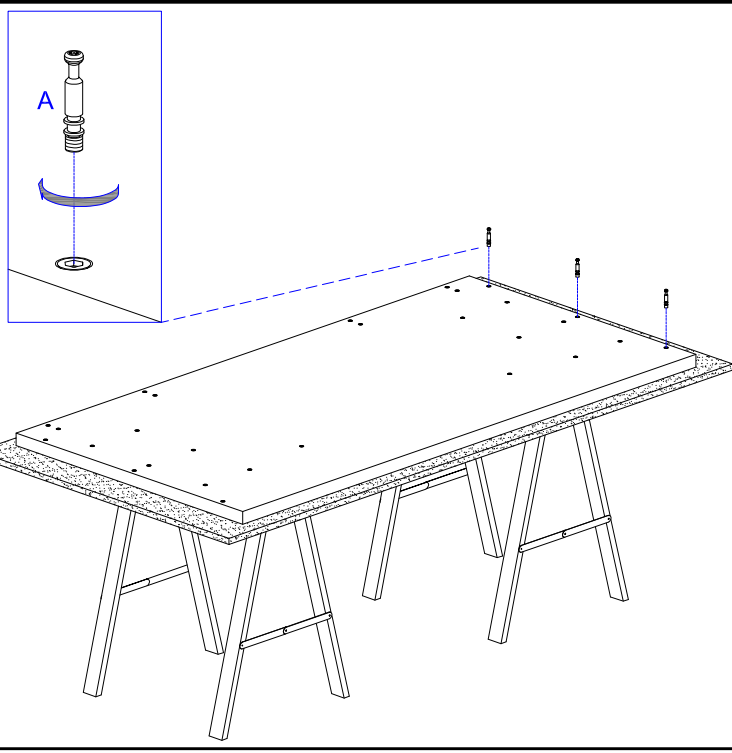
4FESC08400

A		3
B		3
C		3
D		2

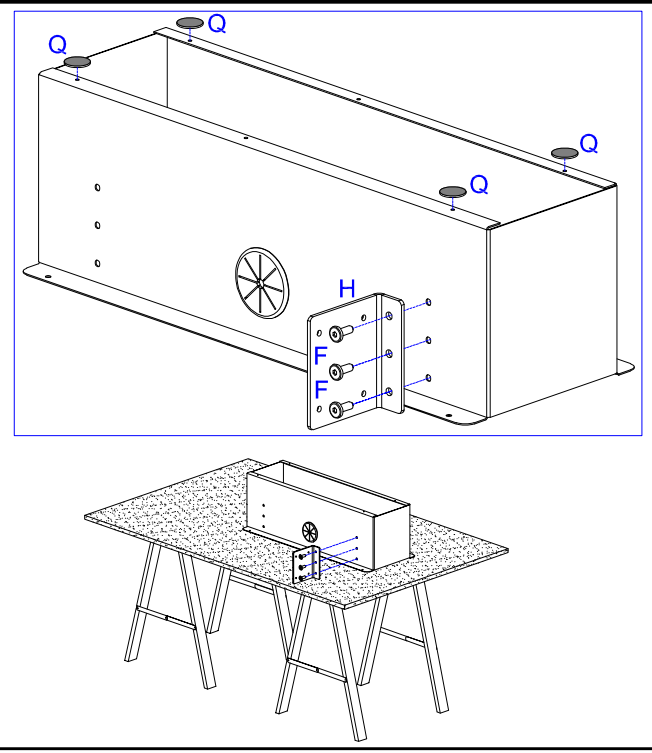
CHECK LIST

I		1
O		6
P		6
Q		4

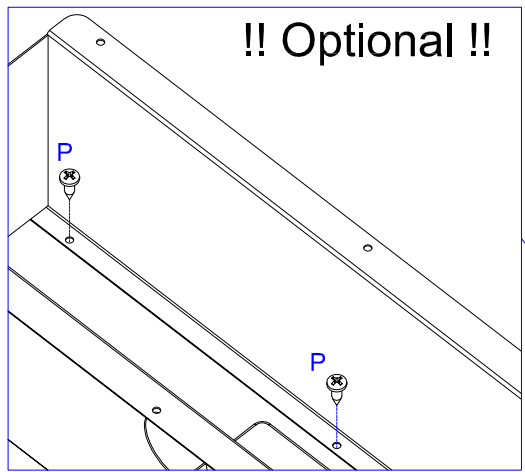
1



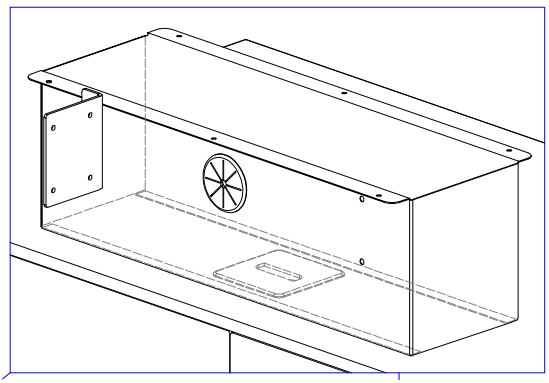
2



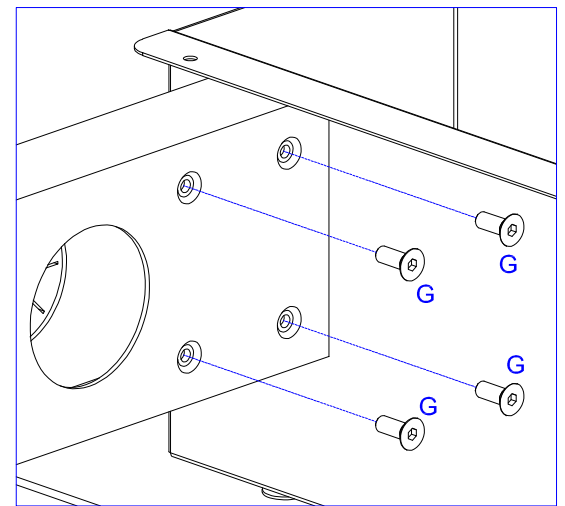
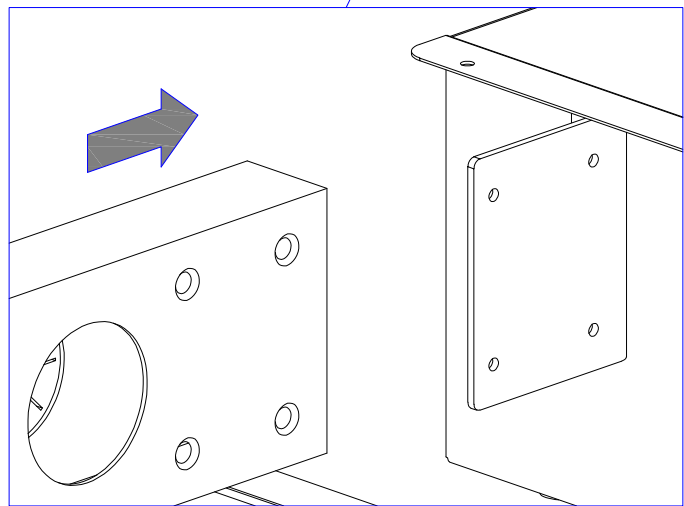
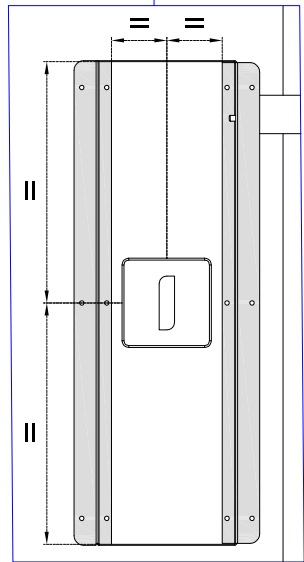
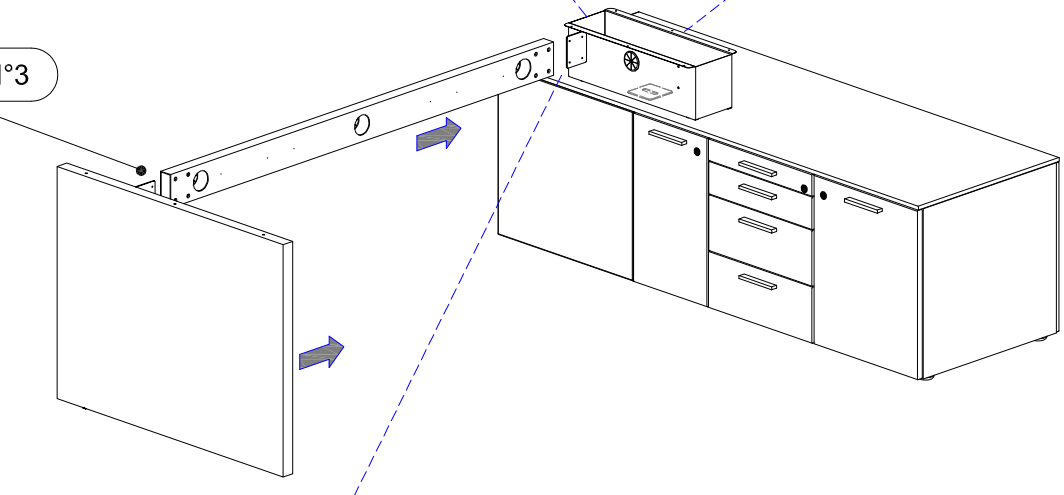
3



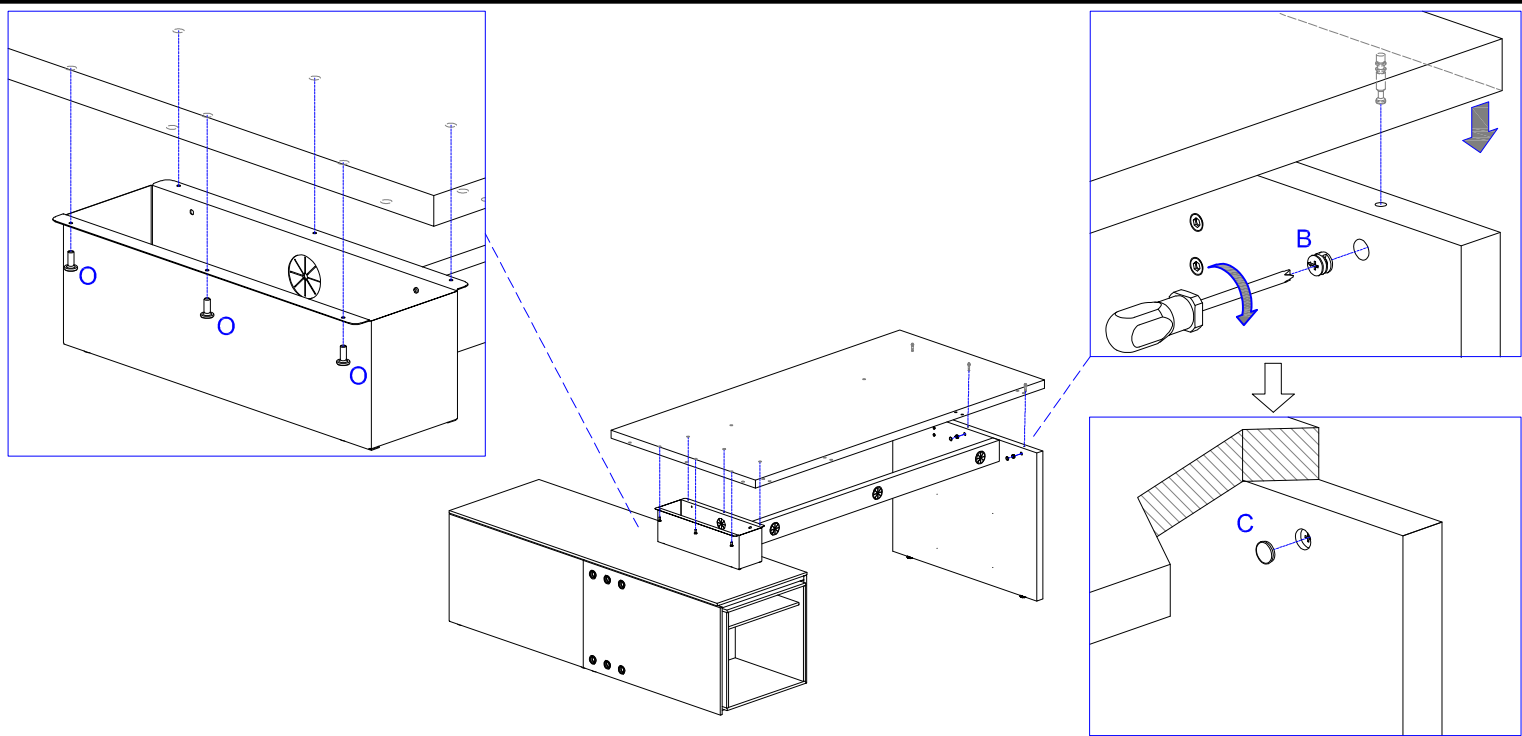
!! Optional !!



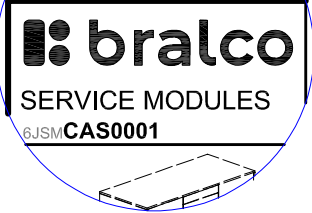
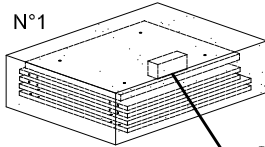
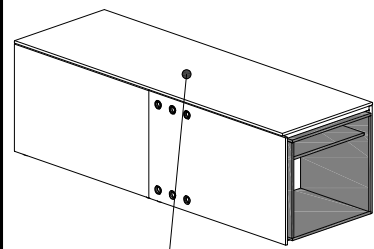
PAG.2_N°3



4



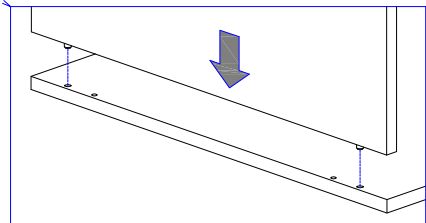
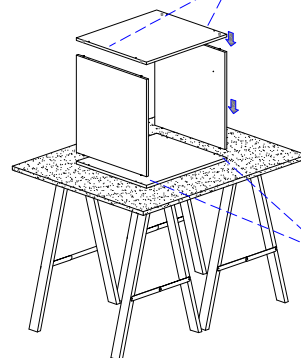
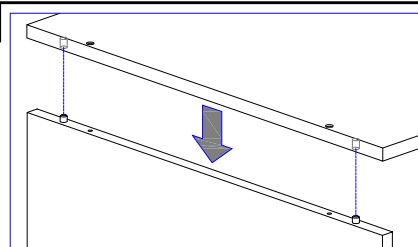
SUPPORT SERVICE MODULES



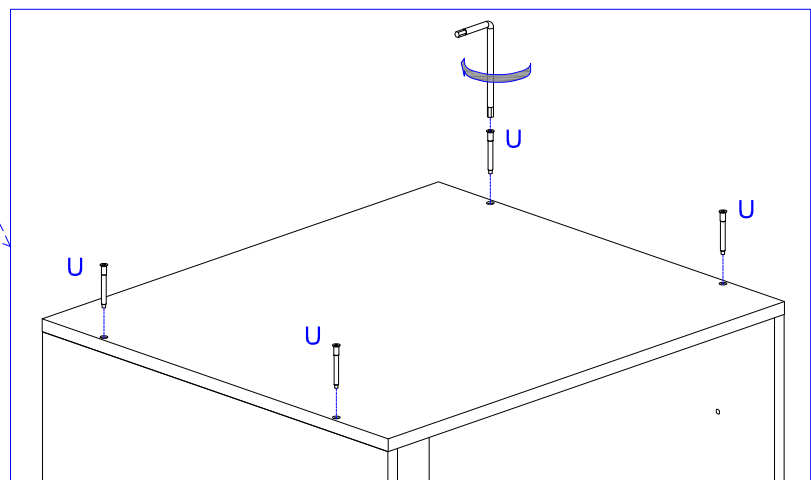
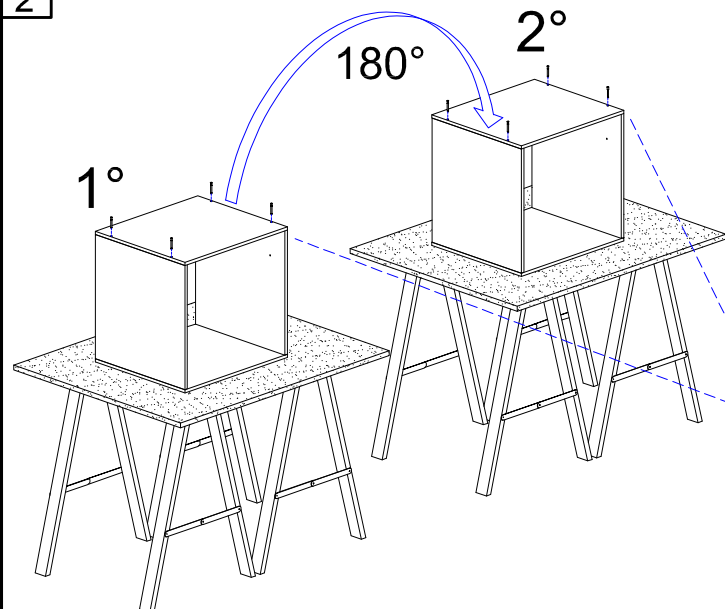
**CHECK LIST
4FECA05300**

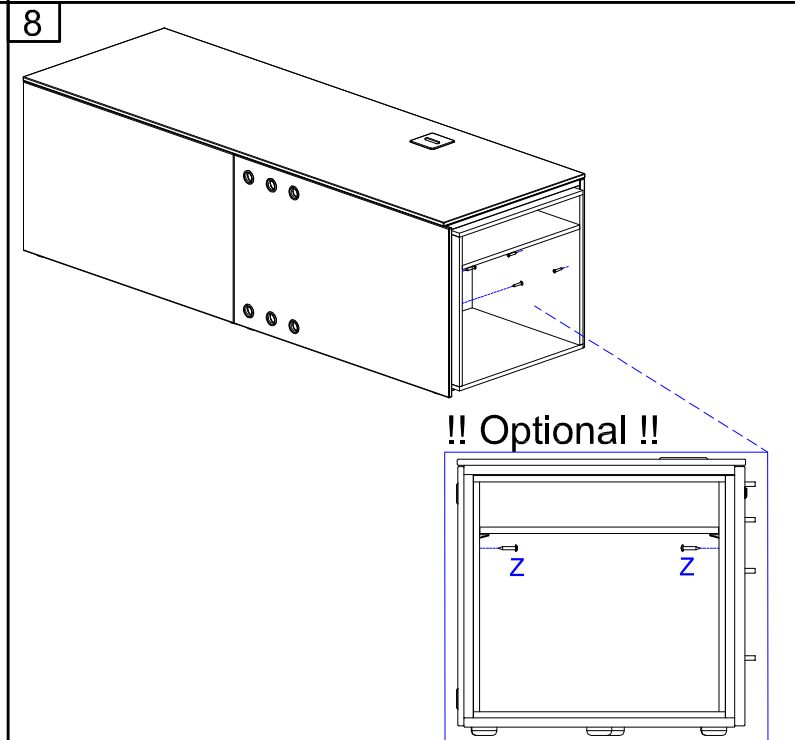
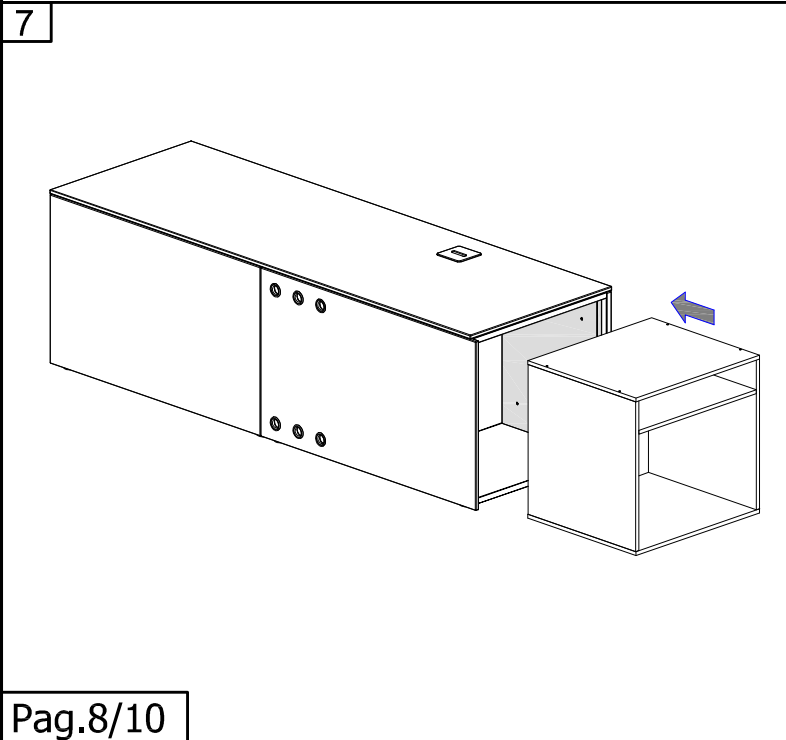
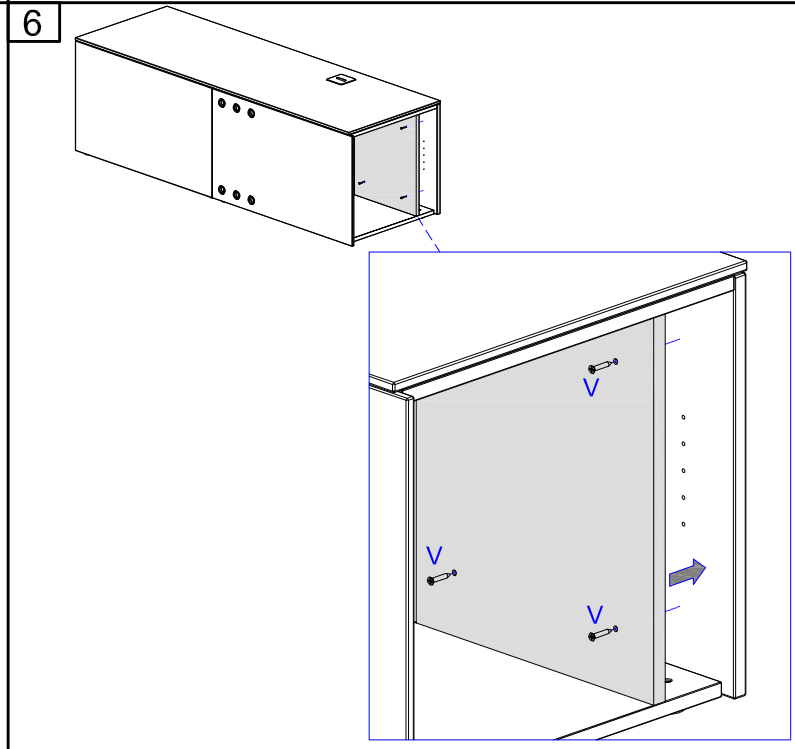
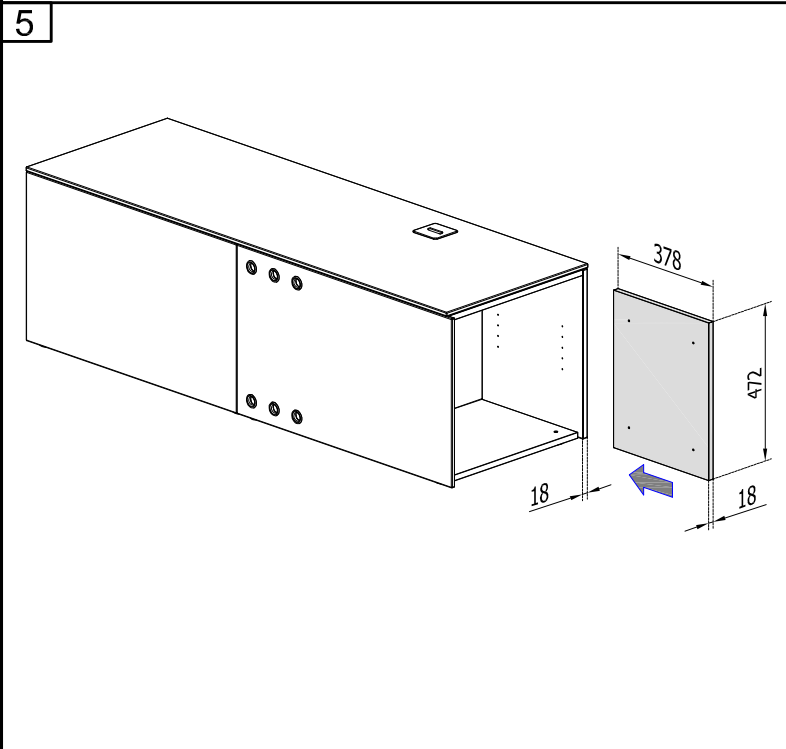
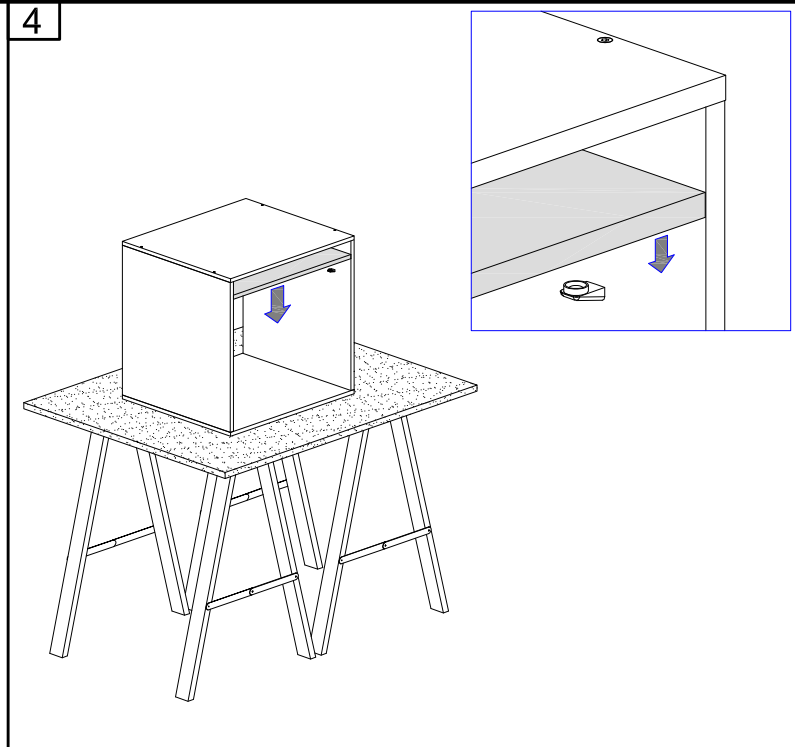
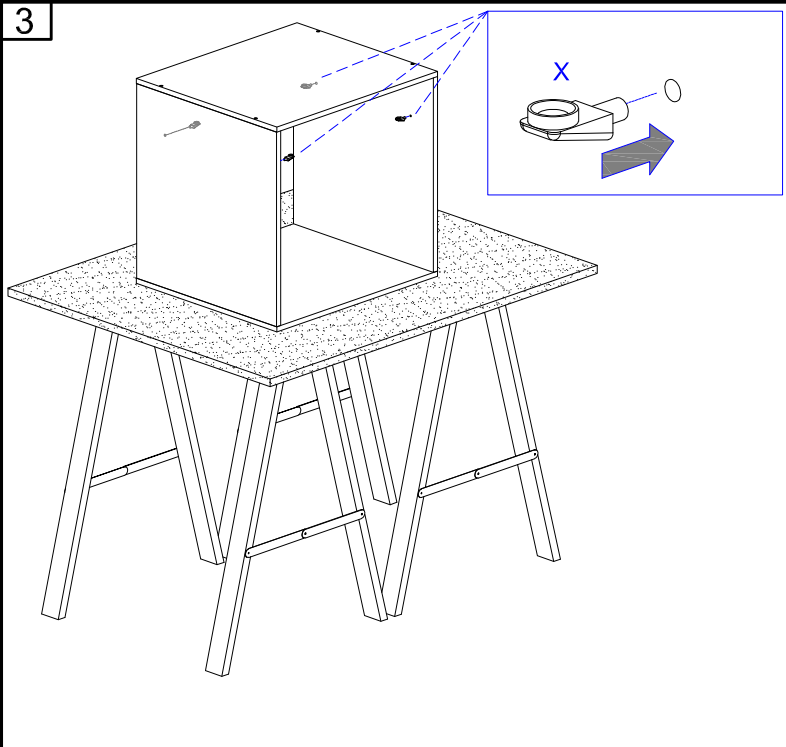
U		8
V		4
Z		4
X		4

1

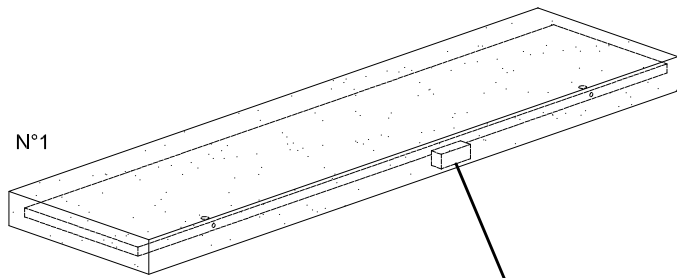
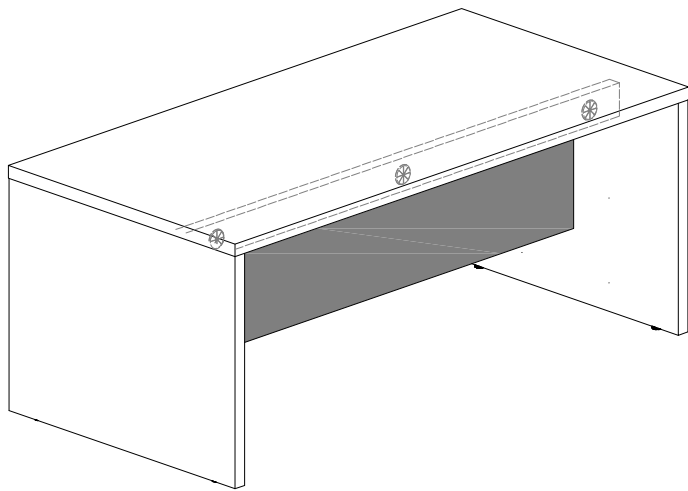


2








MODESTY PANEL

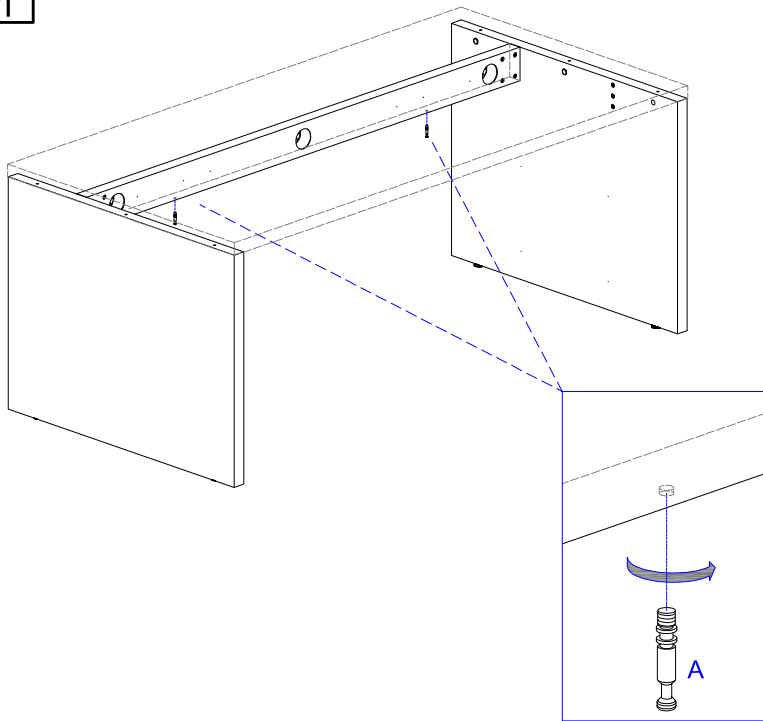


CHECK LIST

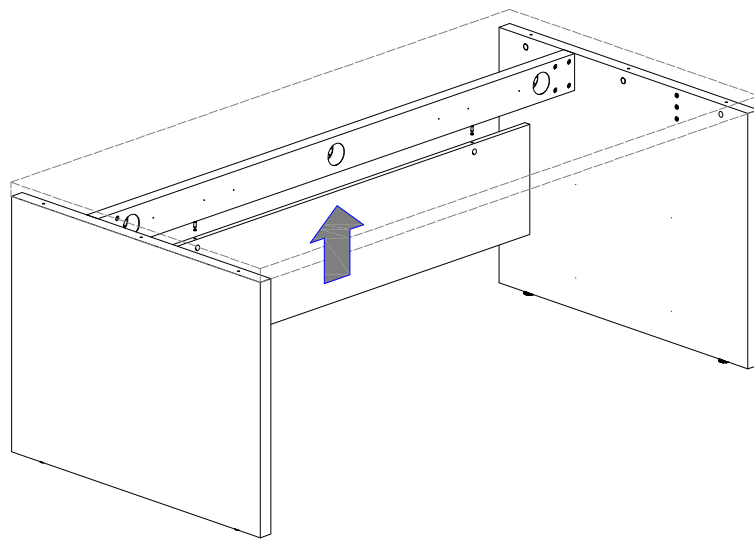
4FEZA04700

A		2
B		2
Y		2

1



2



3

