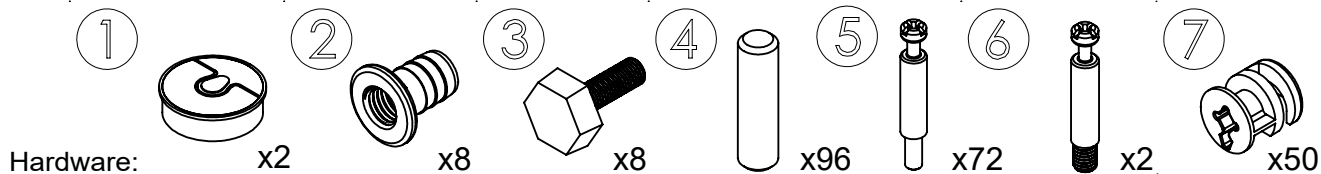
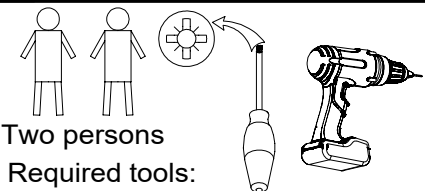


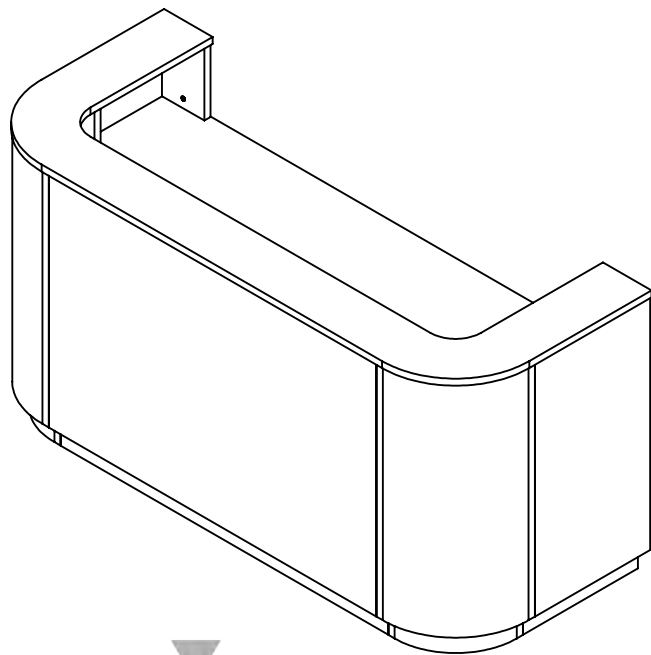
M60EC003

1 / 5

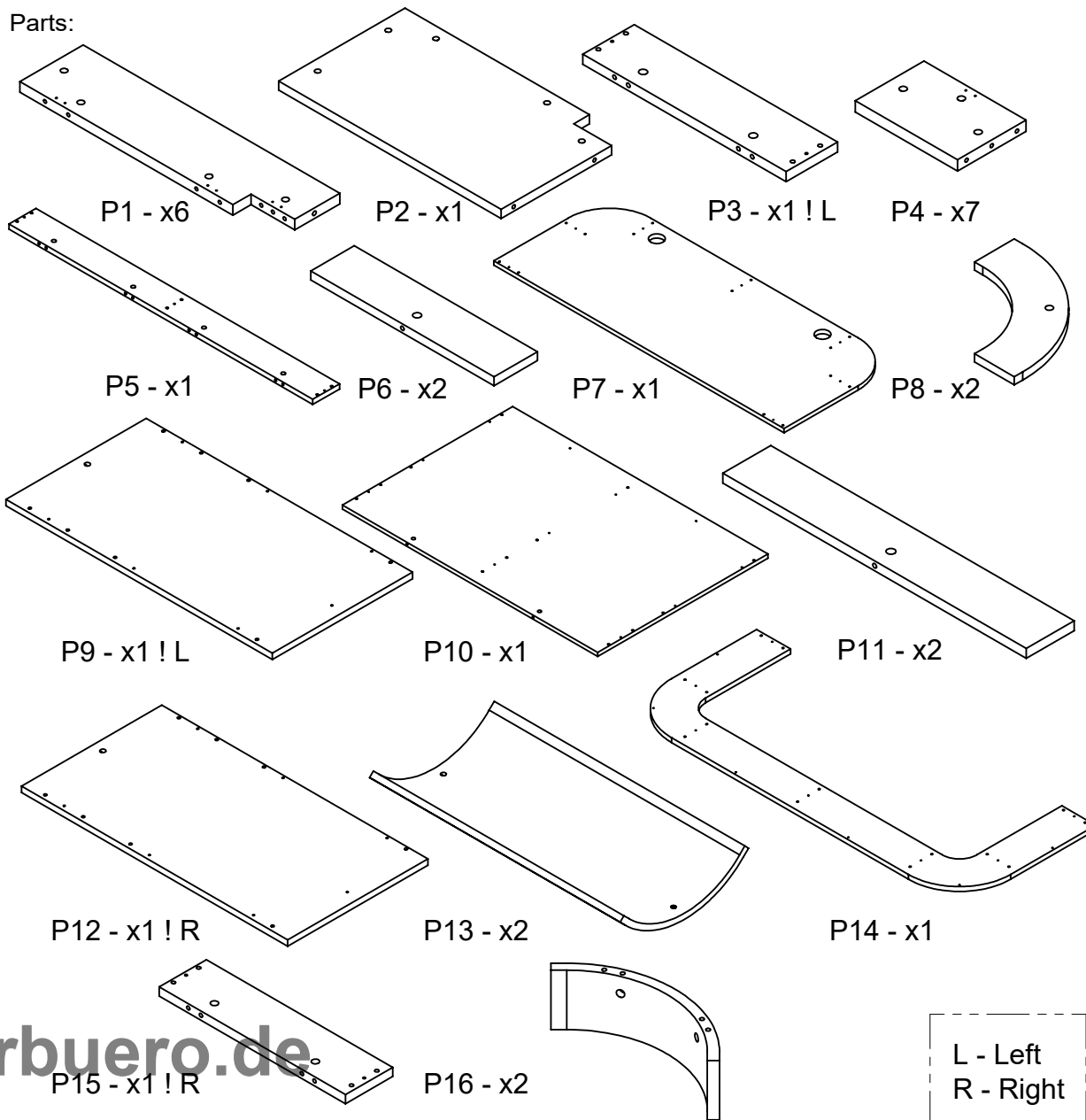


Assembling scheme

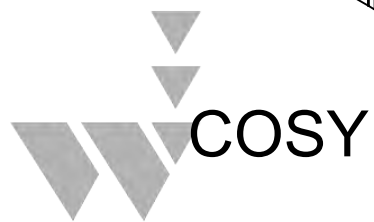
Product:



Parts:



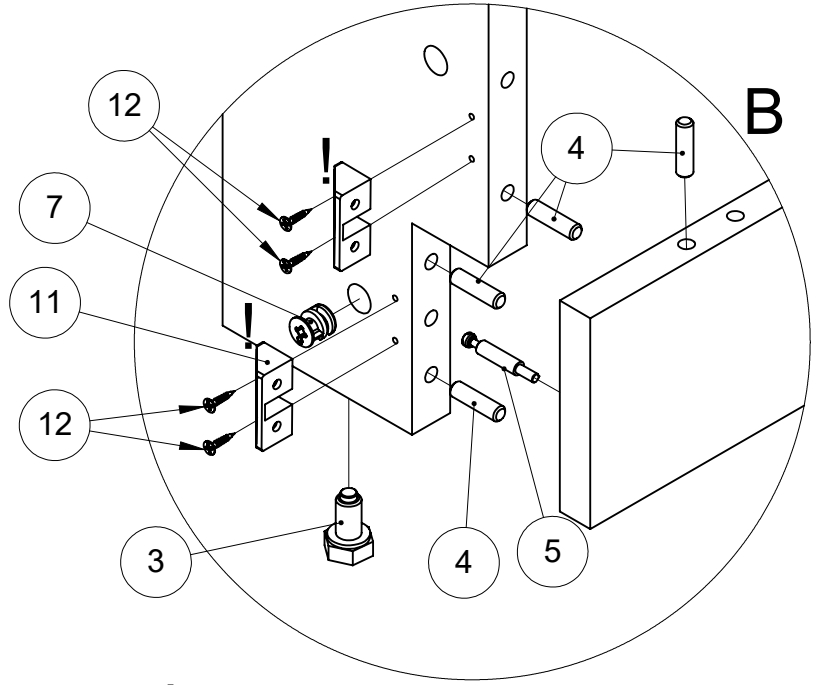
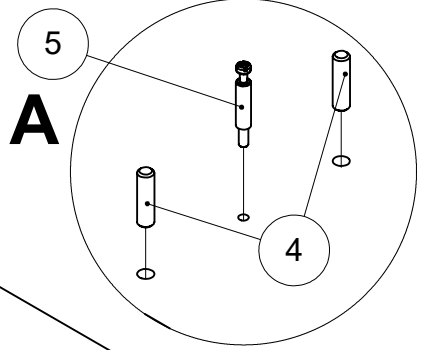
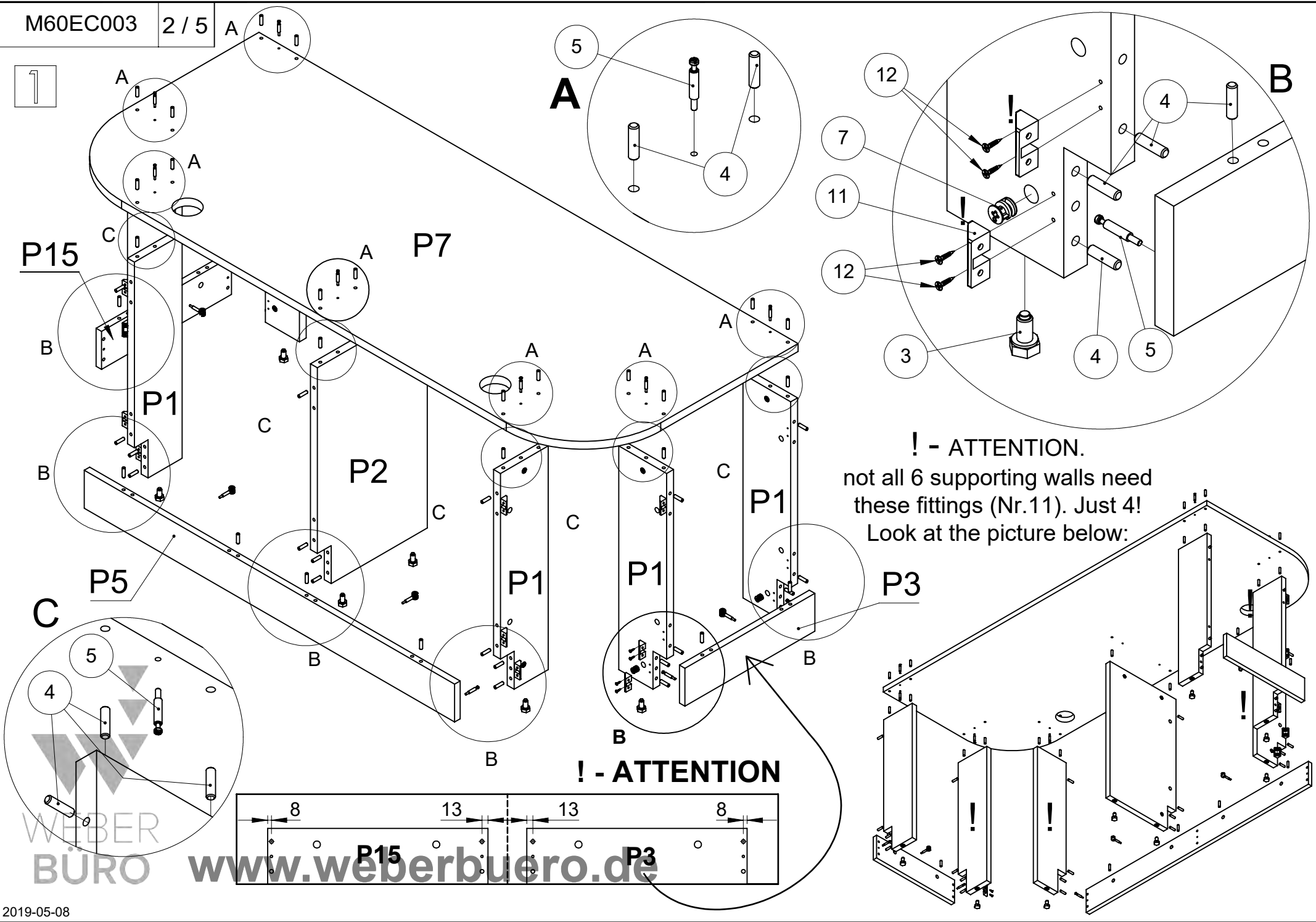
L - Left  
R - Right



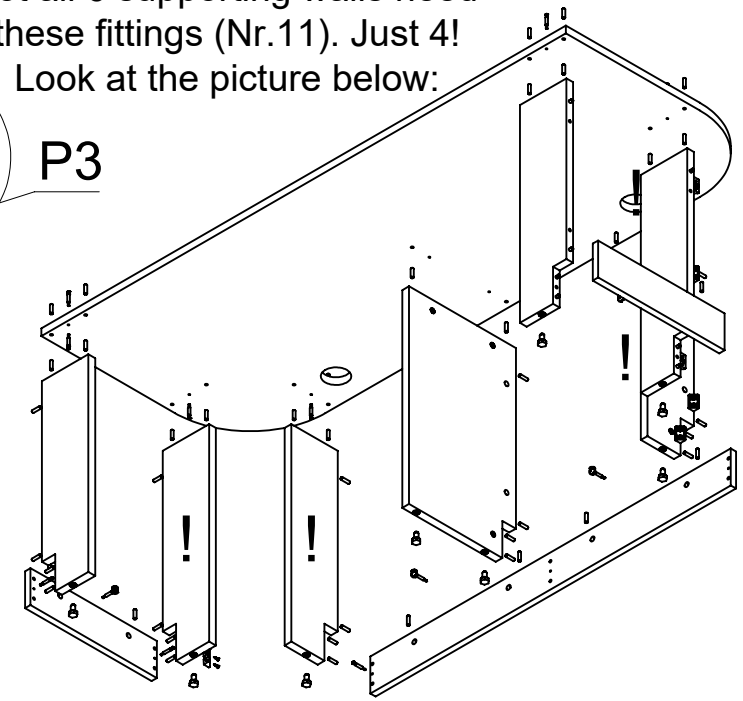
WEBER  
BÜRO

[www.weberbuero.de](http://www.weberbuero.de)

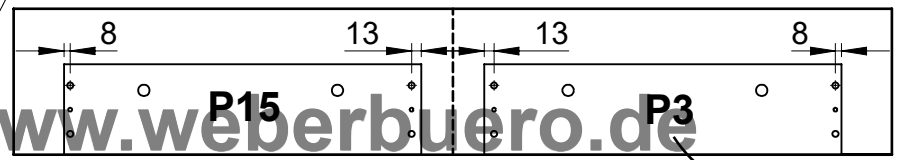
1



**! - ATTENTION.**  
 not all 6 supporting walls need  
 these fittings (Nr.11). Just 4!  
 Look at the picture below:



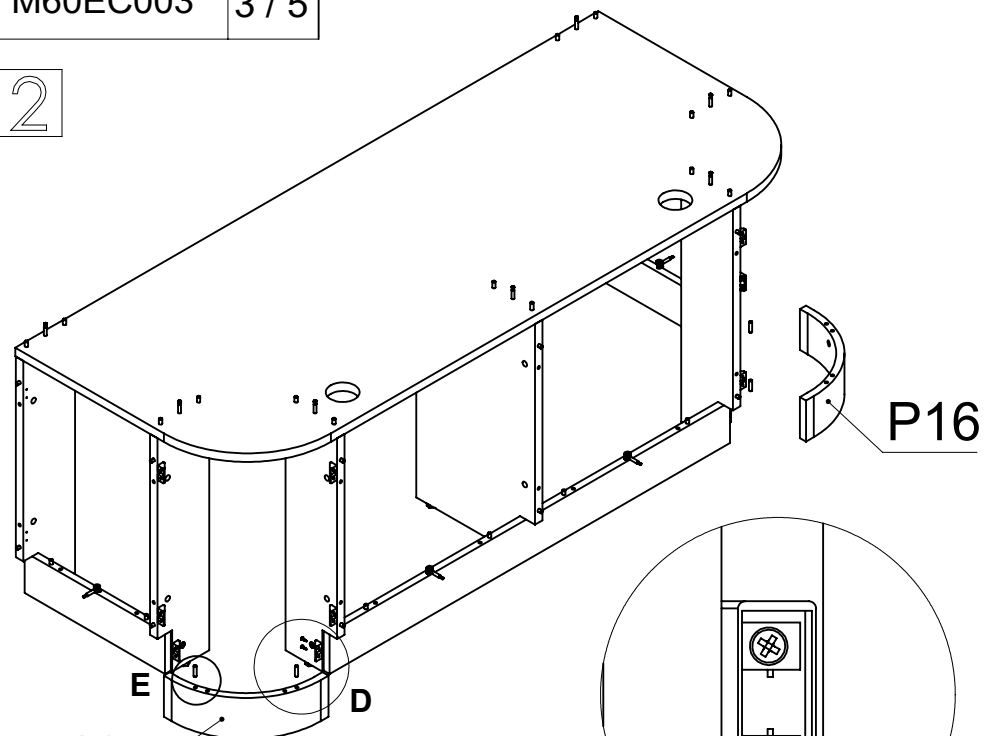
**! - ATTENTION**



WEBER  
 BÜRO

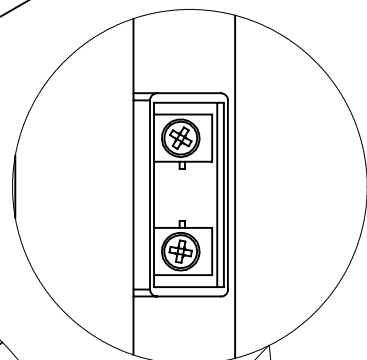
[www.weberbuero.de](http://www.weberbuero.de)

2

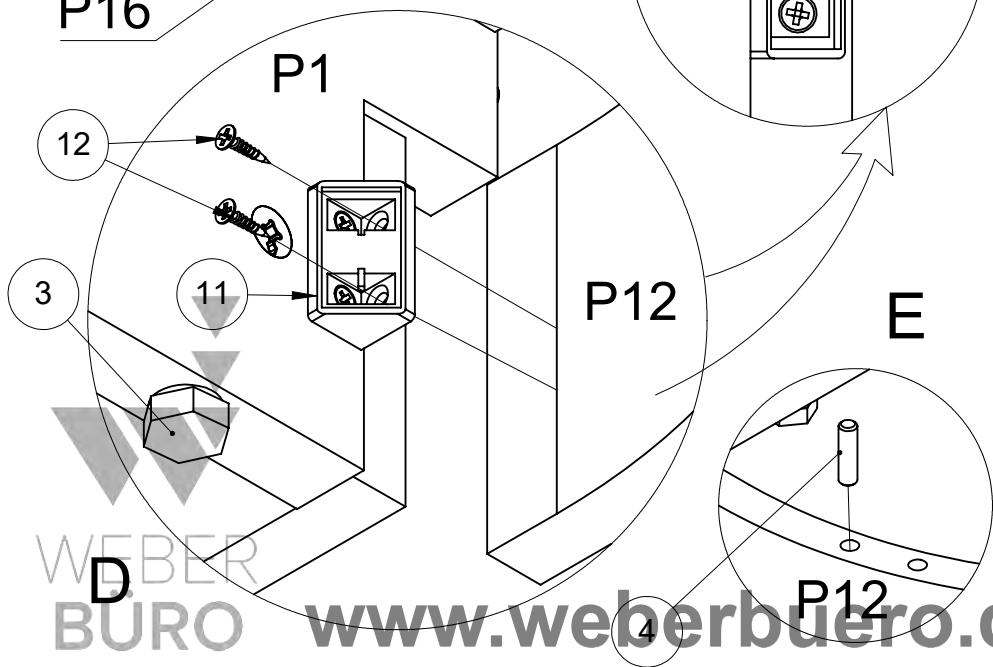


P16

P16



E



P1

P12

P12

3

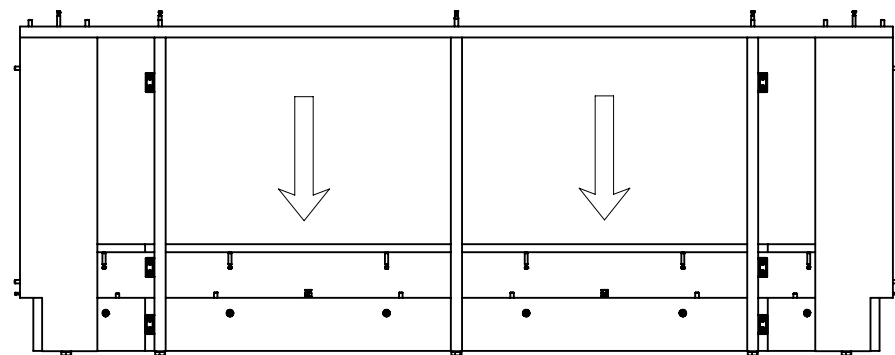
12

11

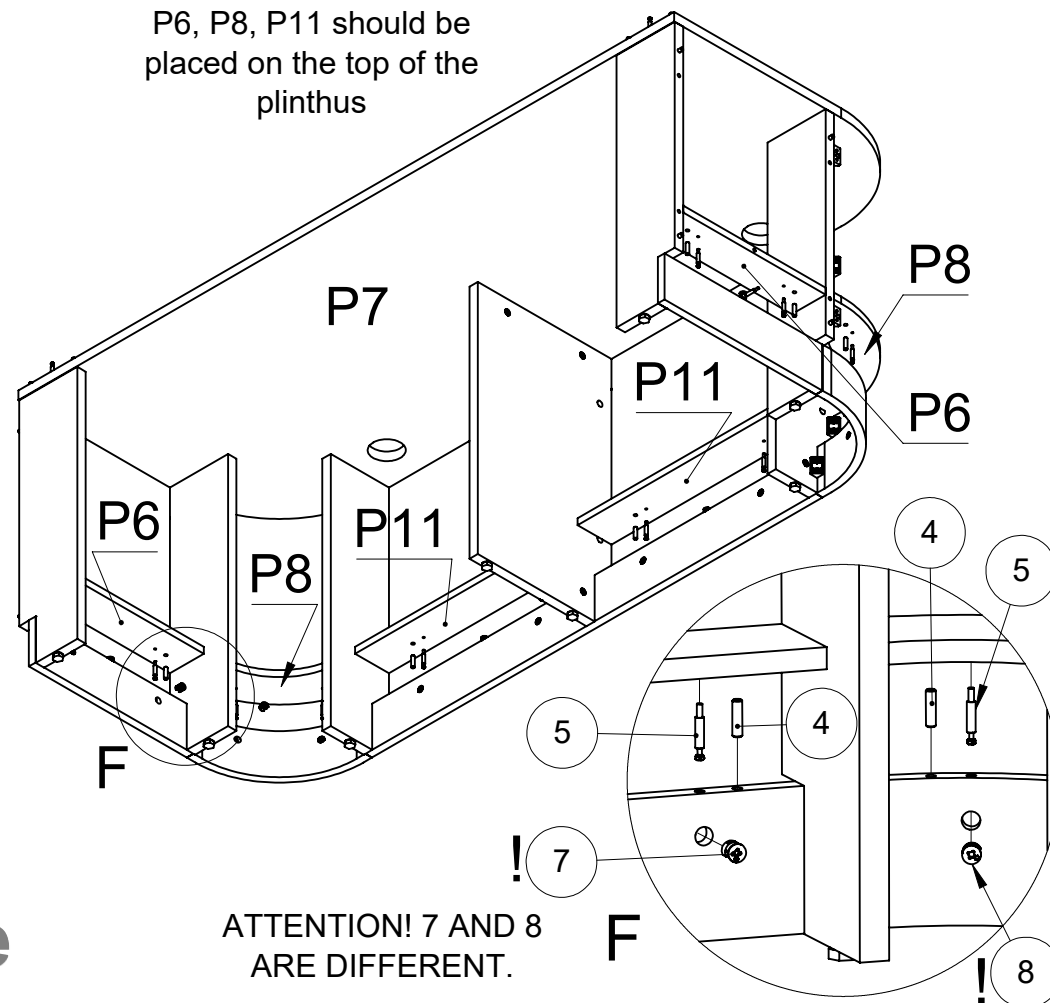
WEBER  
BURO

www.weberbuero.de

3



P6, P8, P11 should be placed on the top of the plinthus



P7

P11

P8

P6

P6

P8

P11

F

4

5

5

4

!

7

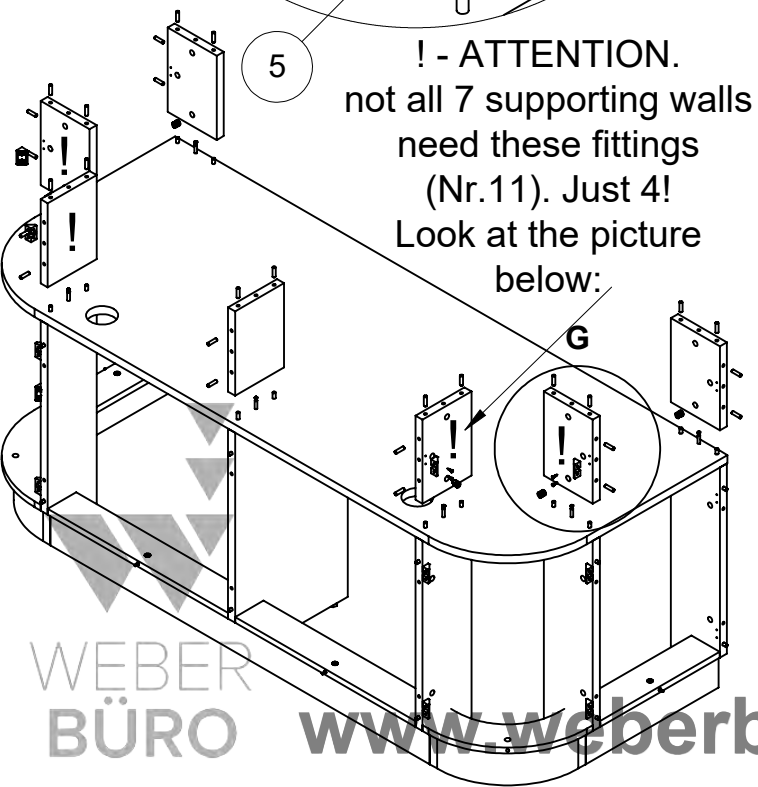
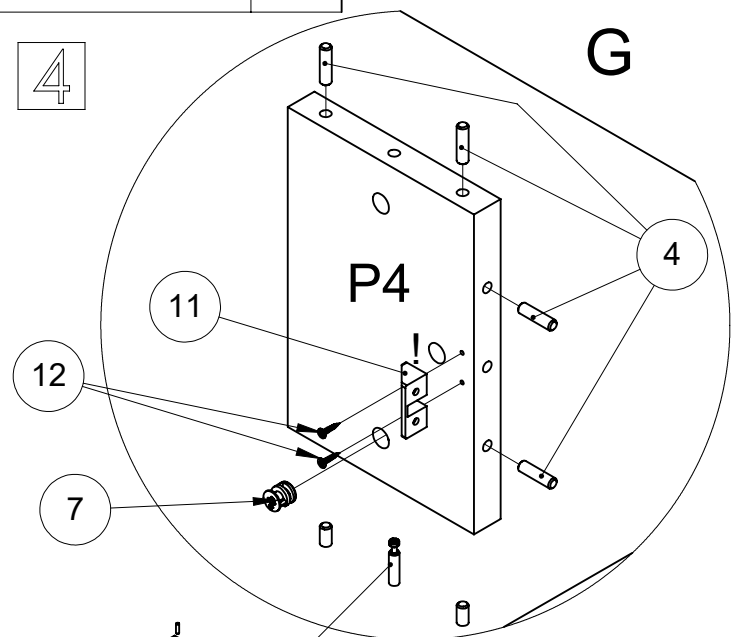
F

!

8

ATTENTION! 7 AND 8 ARE DIFFERENT.

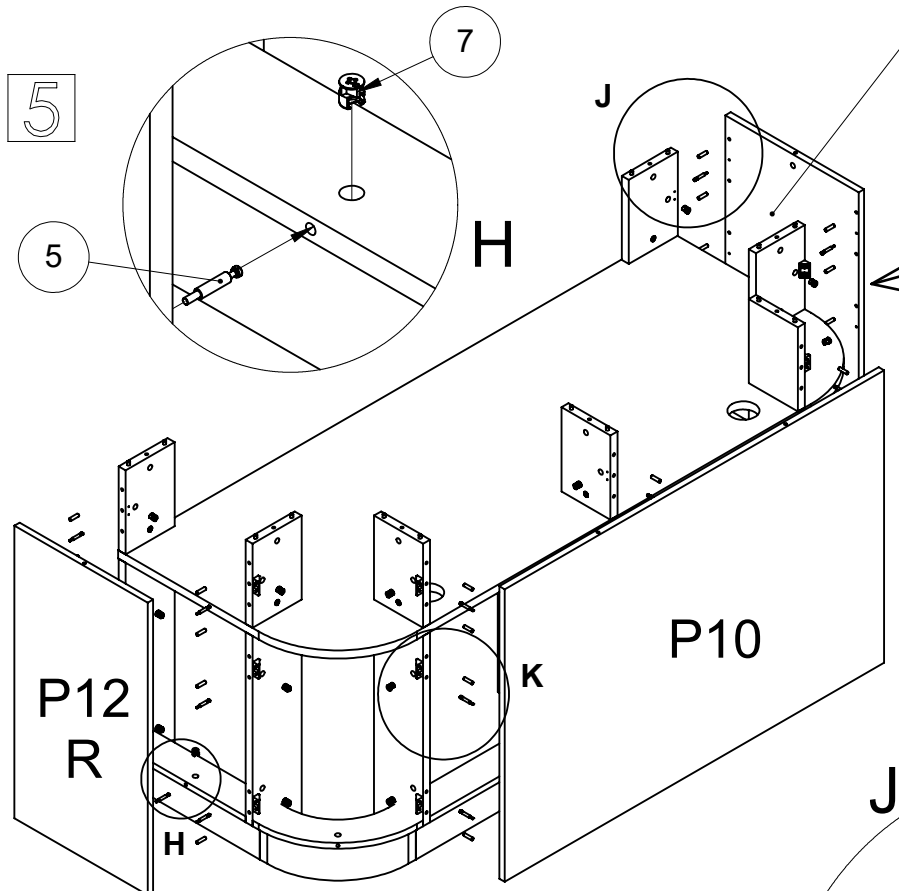
4



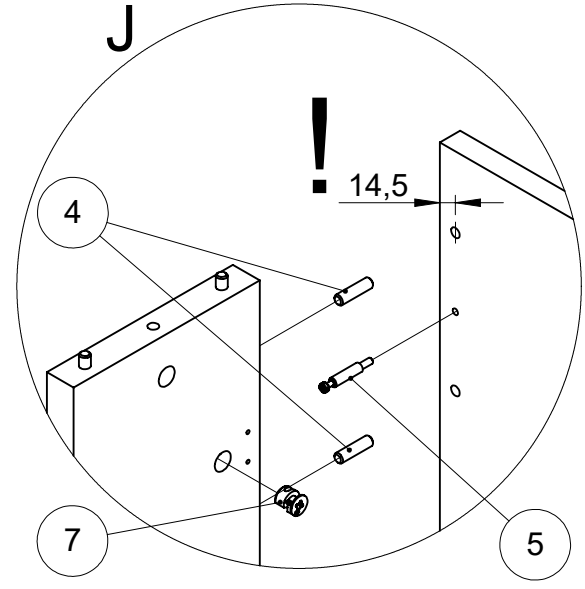
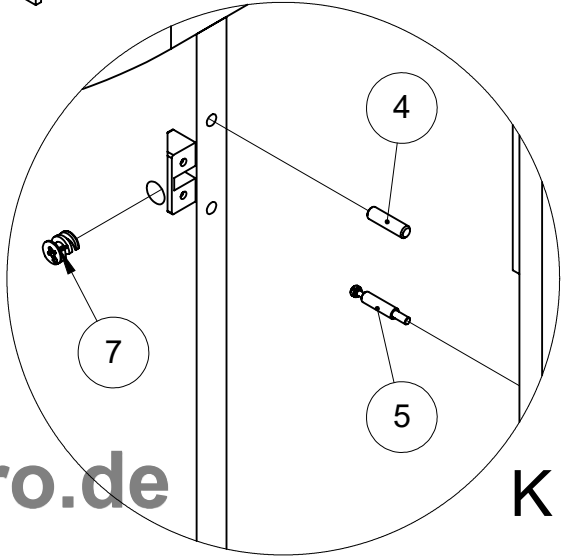
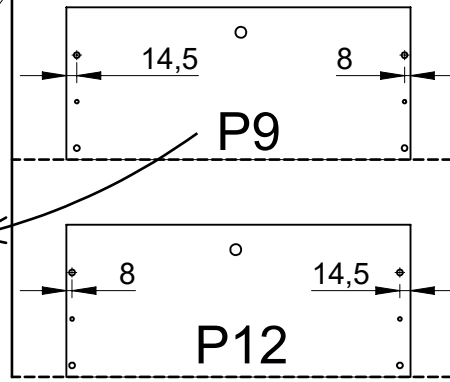
**! - ATTENTION.**  
 not all 7 supporting walls  
 need these fittings  
 (Nr.11). Just 4!  
 Look at the picture  
 below:

G

5

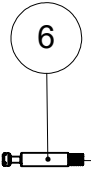
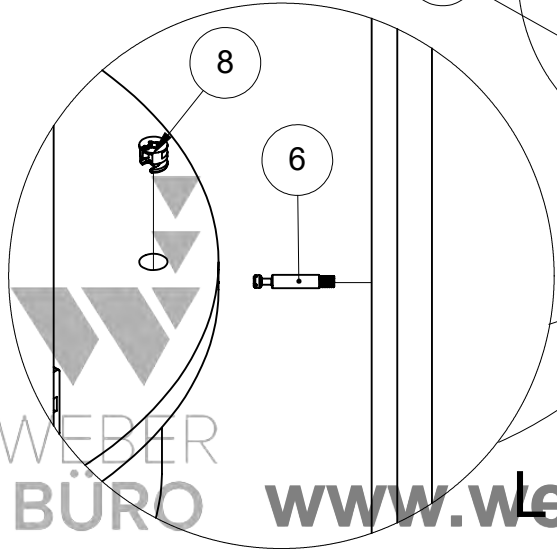
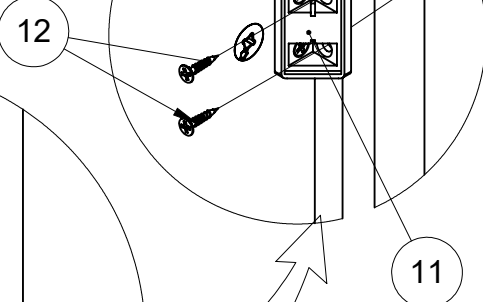
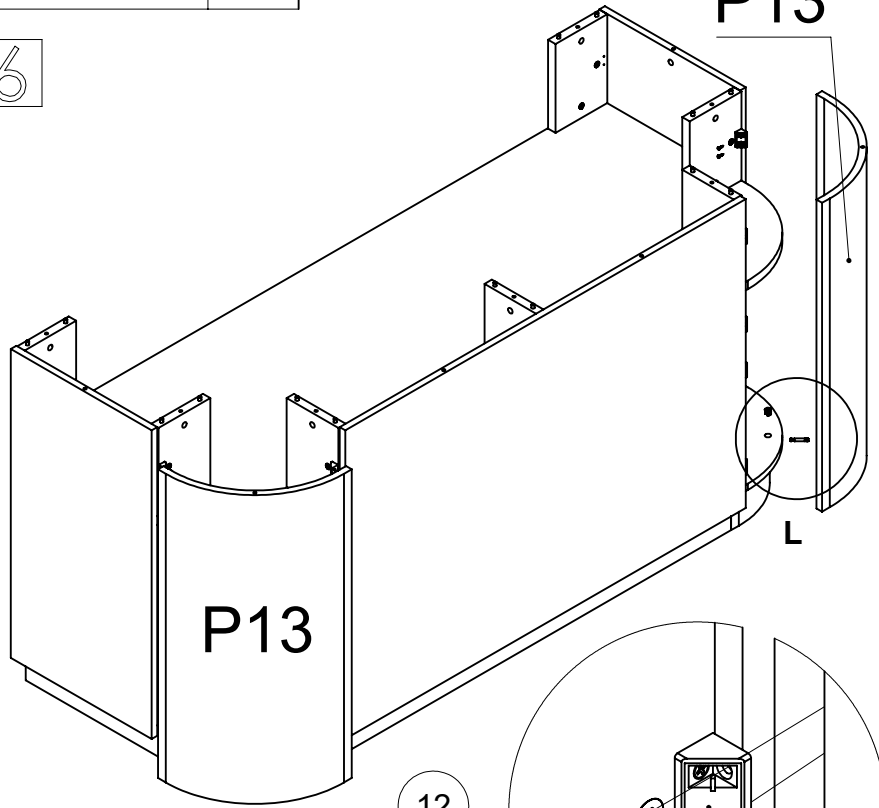


**P9 L: ! - ATTENTION**



# P13

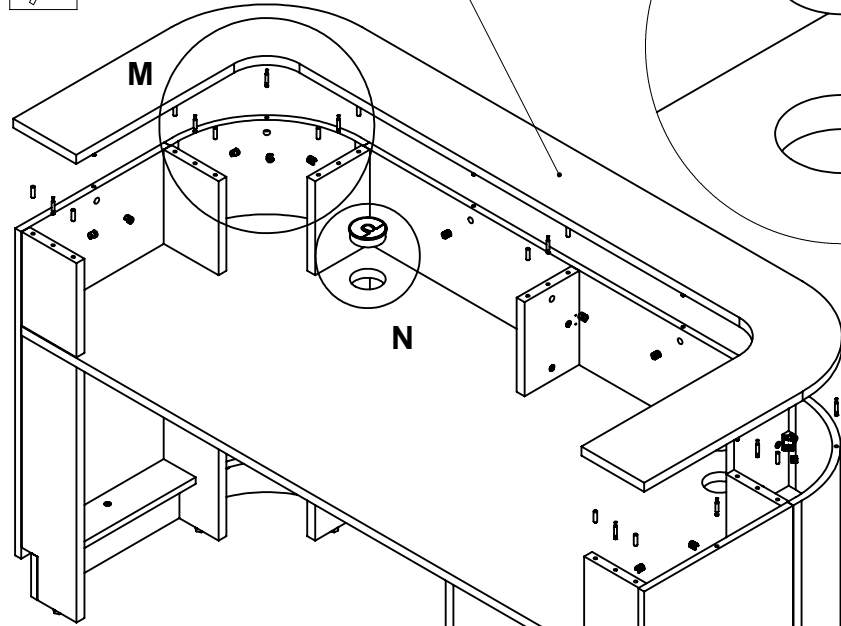
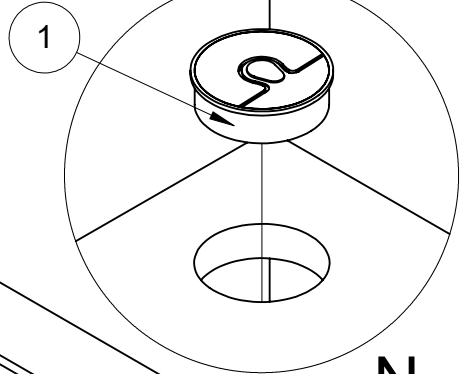
6



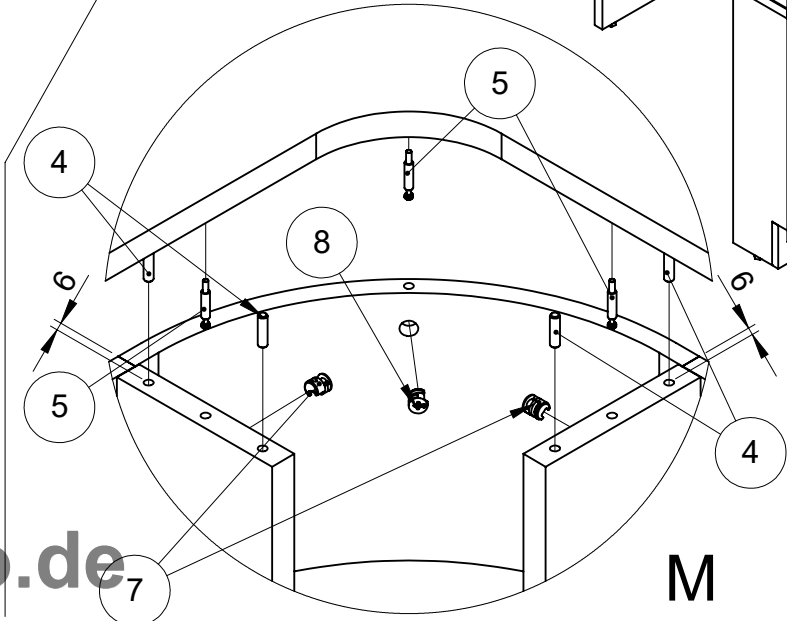
11

7

# P14



N



4

8

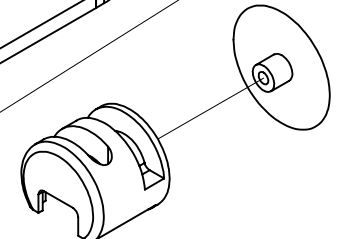
5

5

4

7

M



Finishing touches.  
Hide fittings (Nr.7 and  
Nr.8) with covers.  
Mind the color!