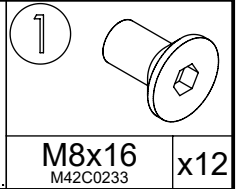
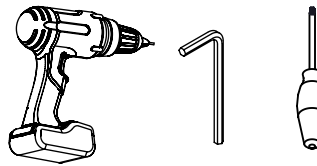
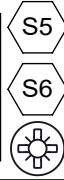
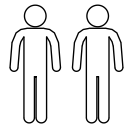
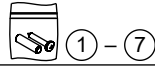


# M60EN322

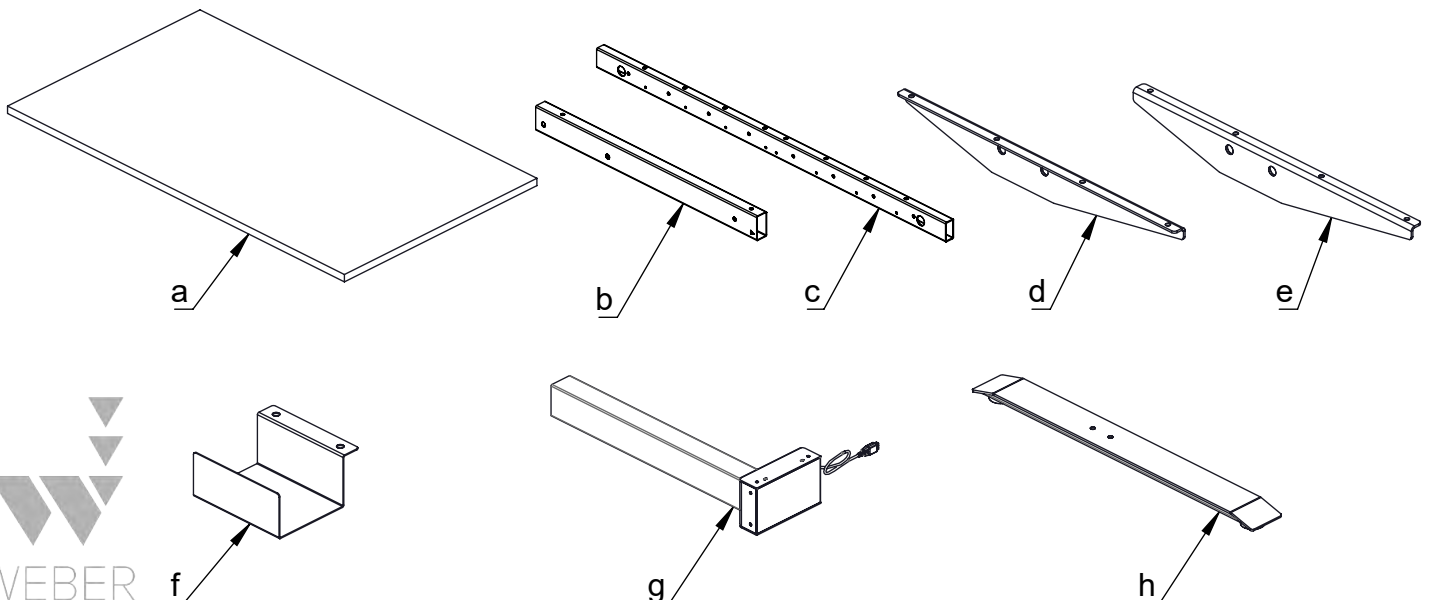
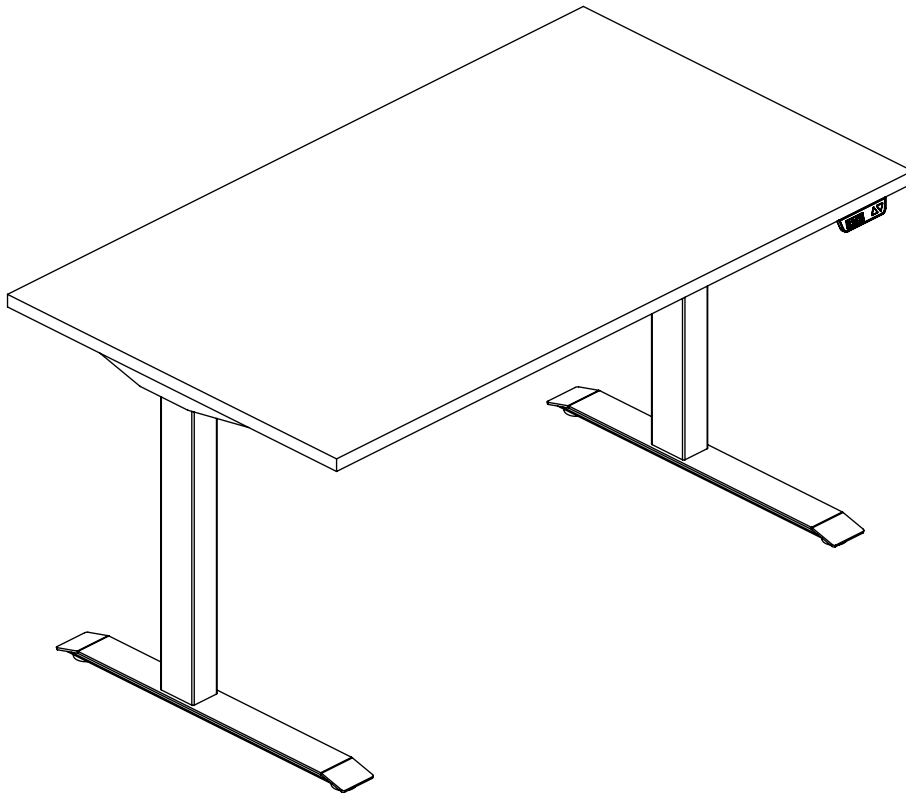
EN Assembling scheme  
 DE Montageschema  
 FR Schéma d'assemblage



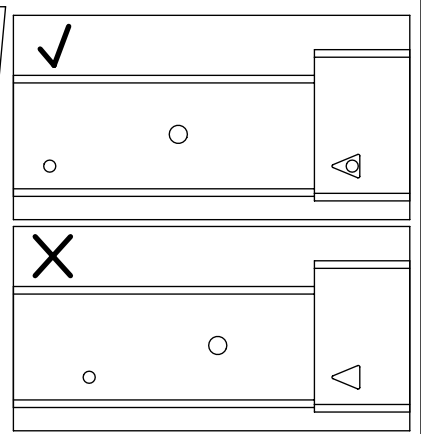
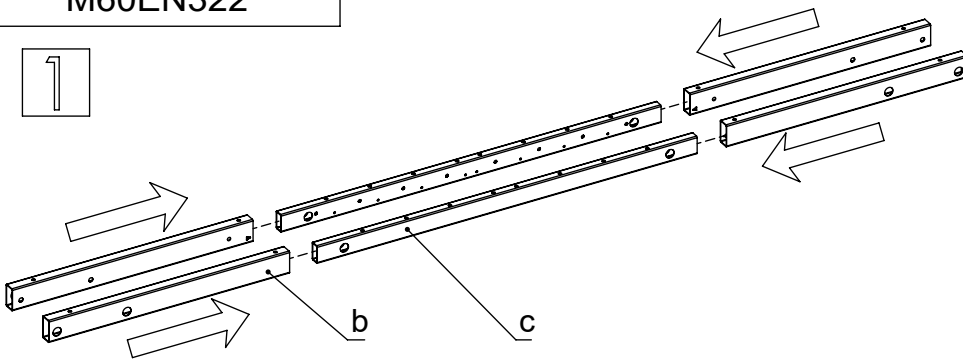
- a - x1
- b - x4
- c - x2
- d - x1
- e - x1
- f - x1
- g - x2
- h - x2



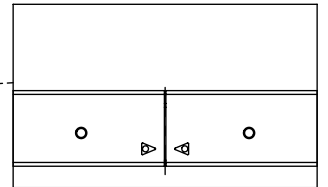
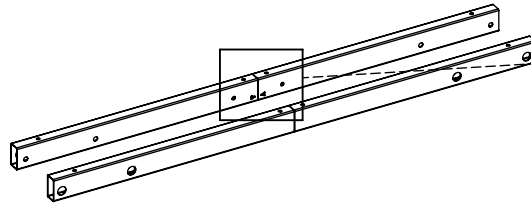
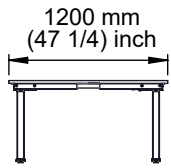
2	3
4.5x20 P M42A0010 x8	M6x10 M42C0133 x4
4	5
5.0x70 K M42A0057 x8	M8x16 M42C0102 x4
6	7
M45A9067 x4	M45A3039/M45A3040/ M45A3041 x4



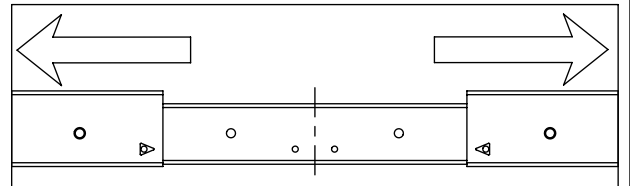
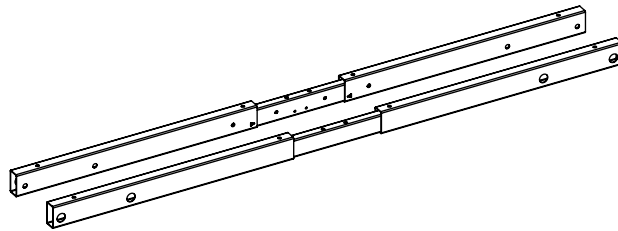
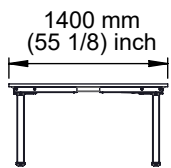
1



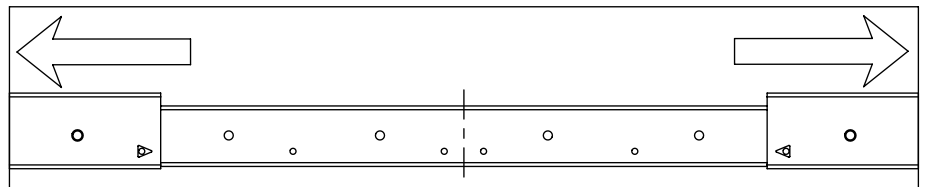
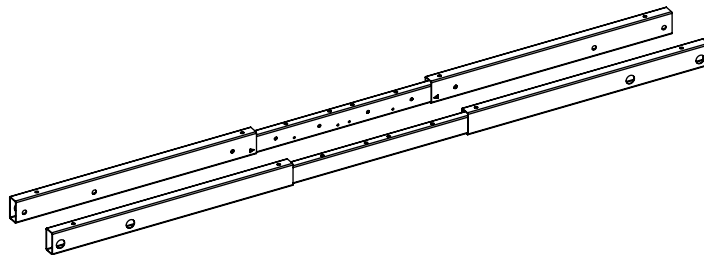
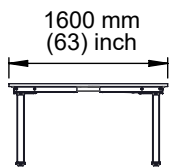
a)



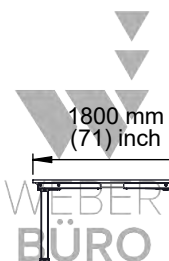
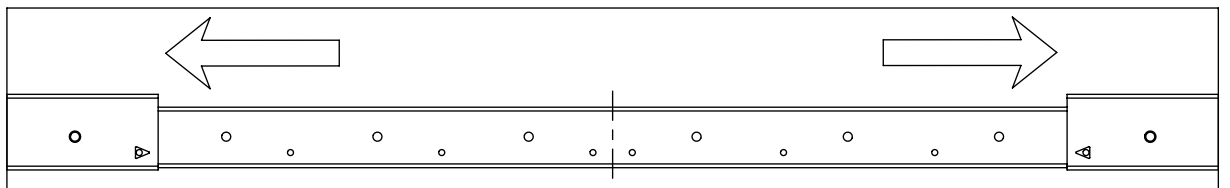
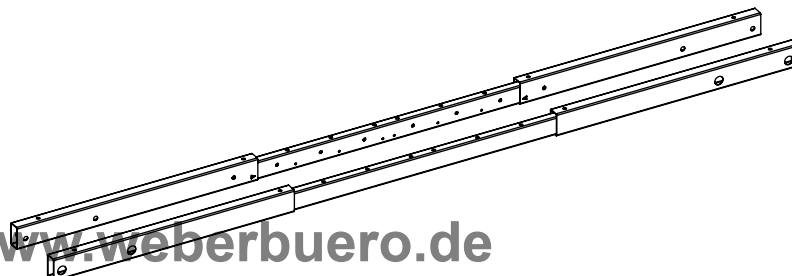
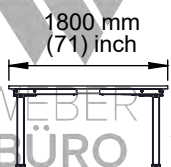
b)



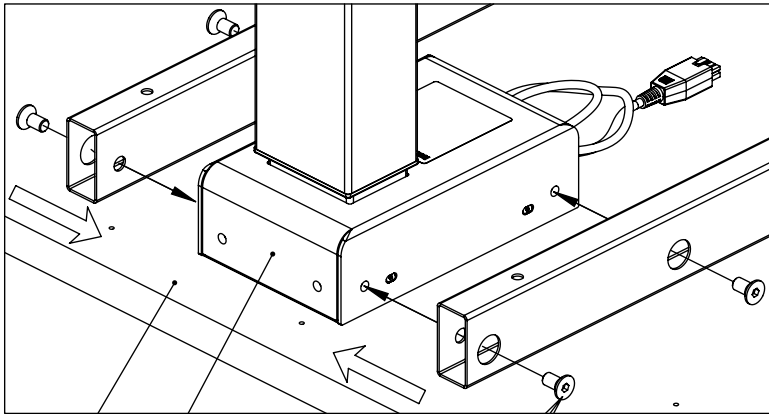
c)



d)



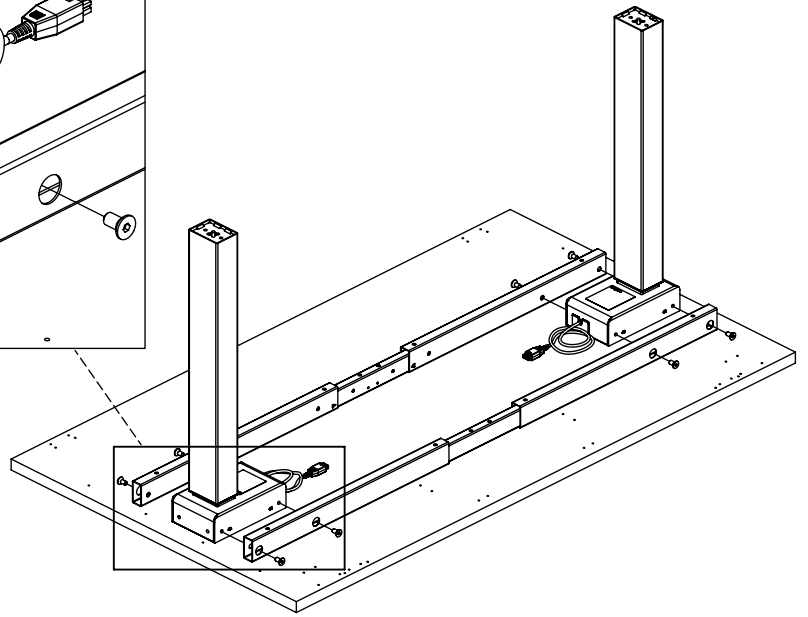
2



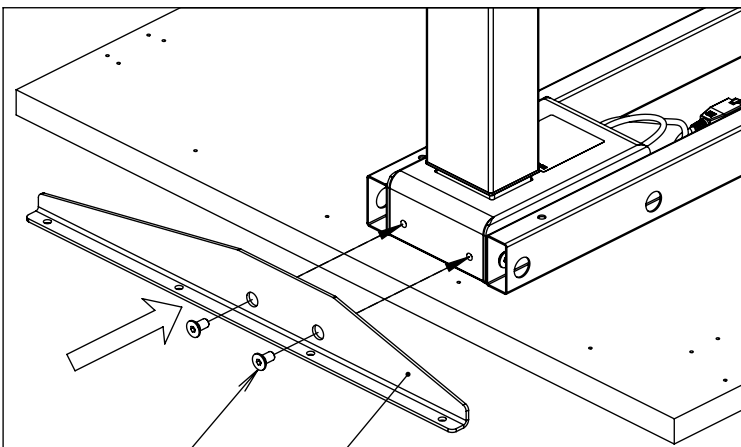
a

f

1

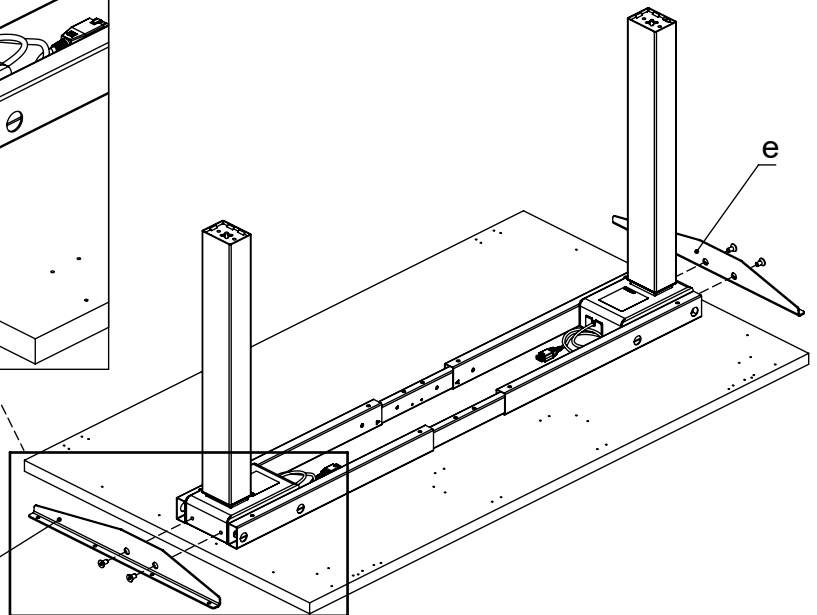


3



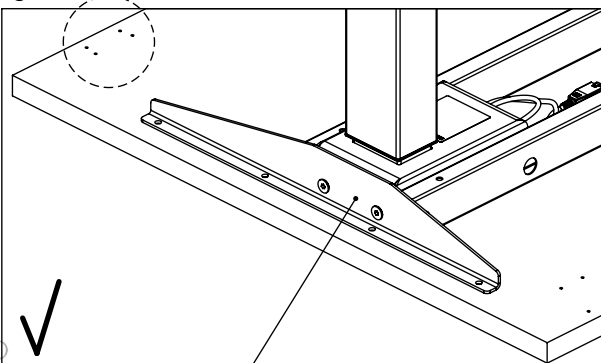
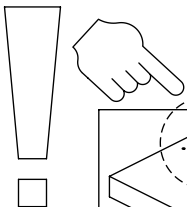
1

d

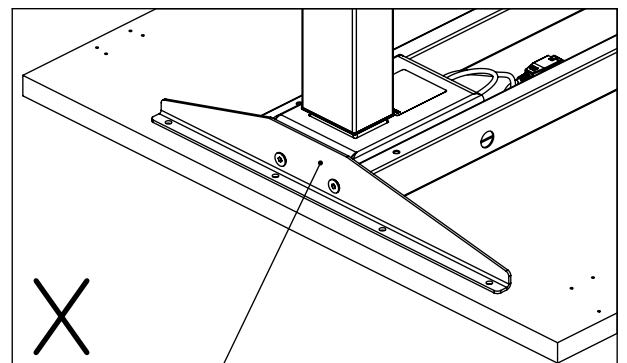


e

d



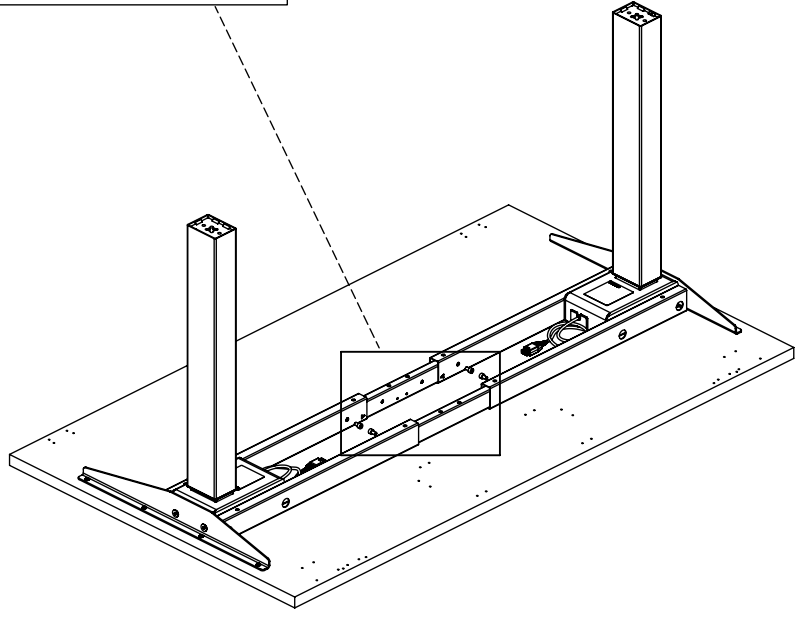
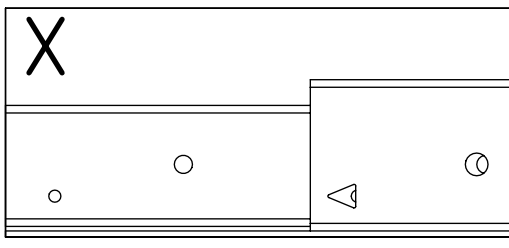
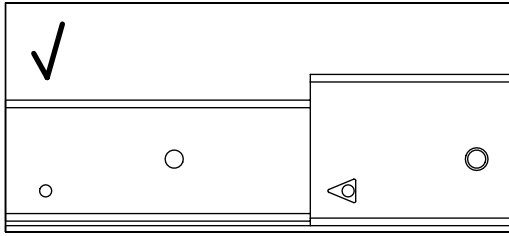
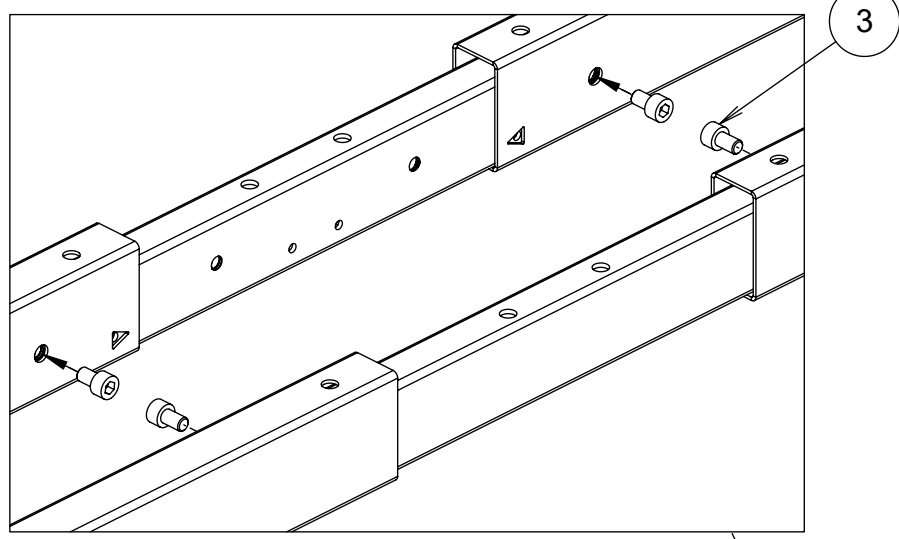
✓



X

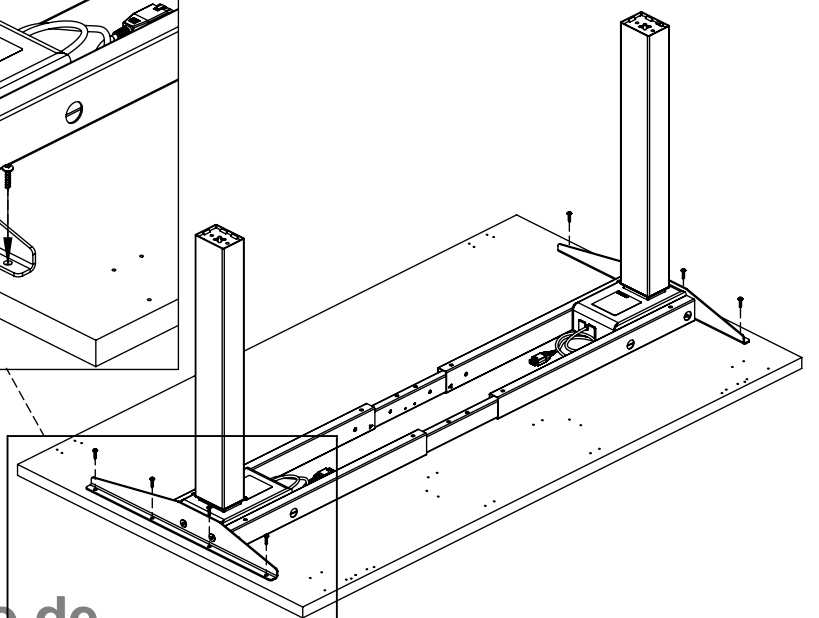
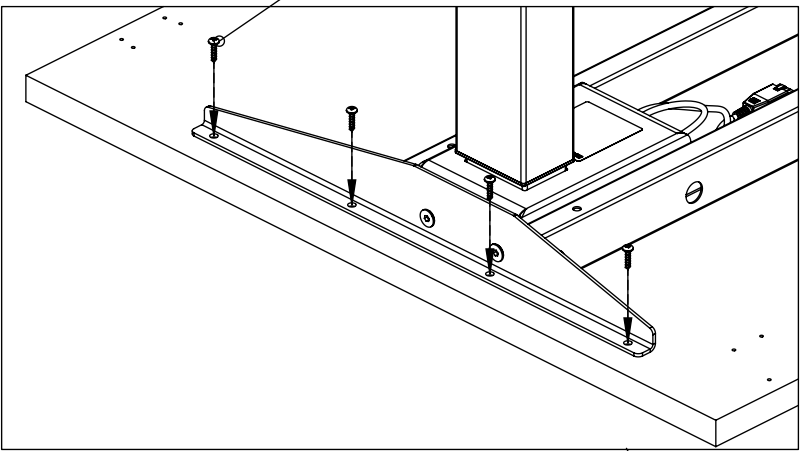
e

4

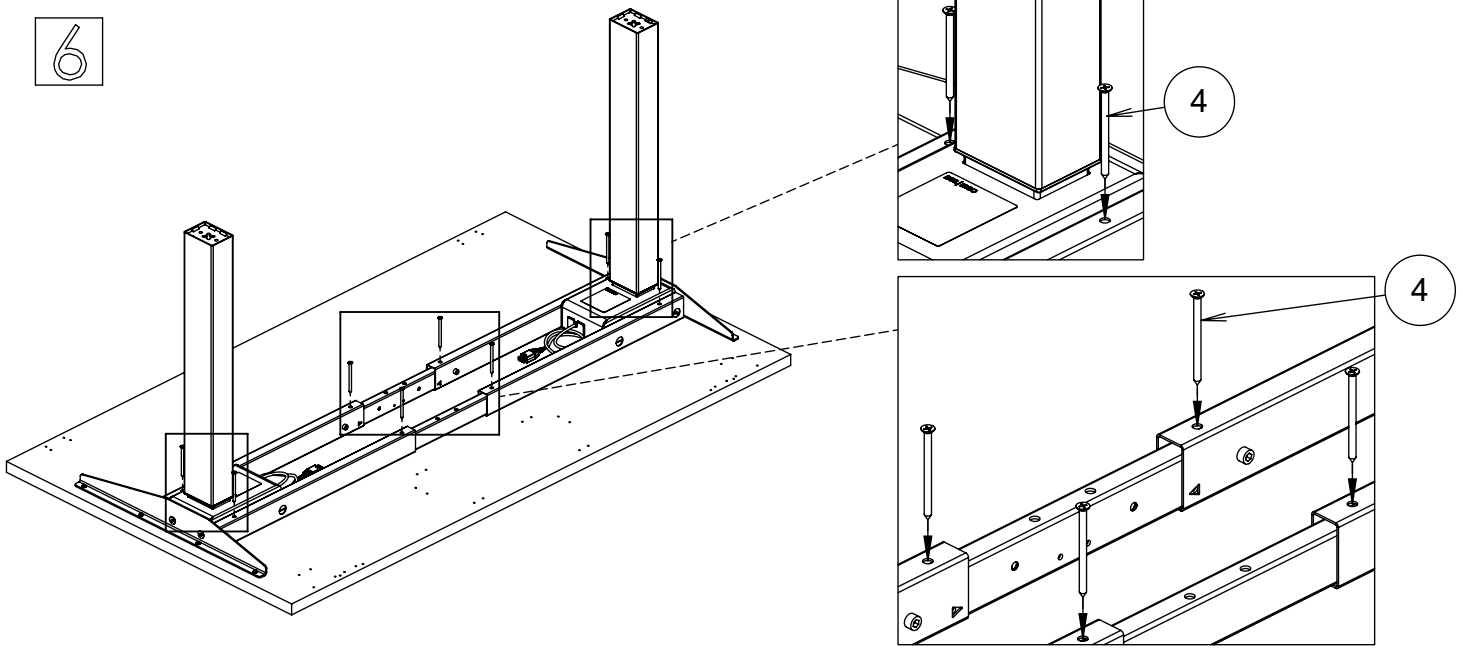


5

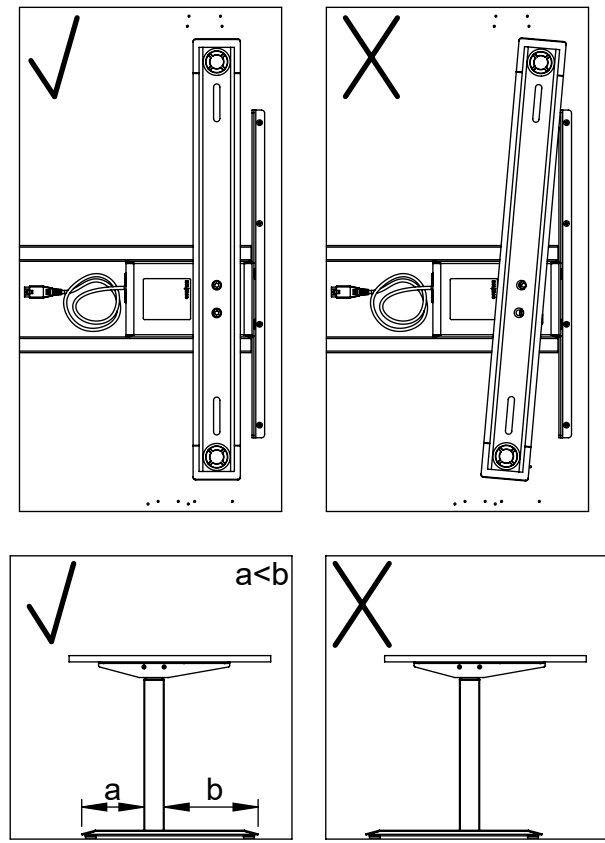
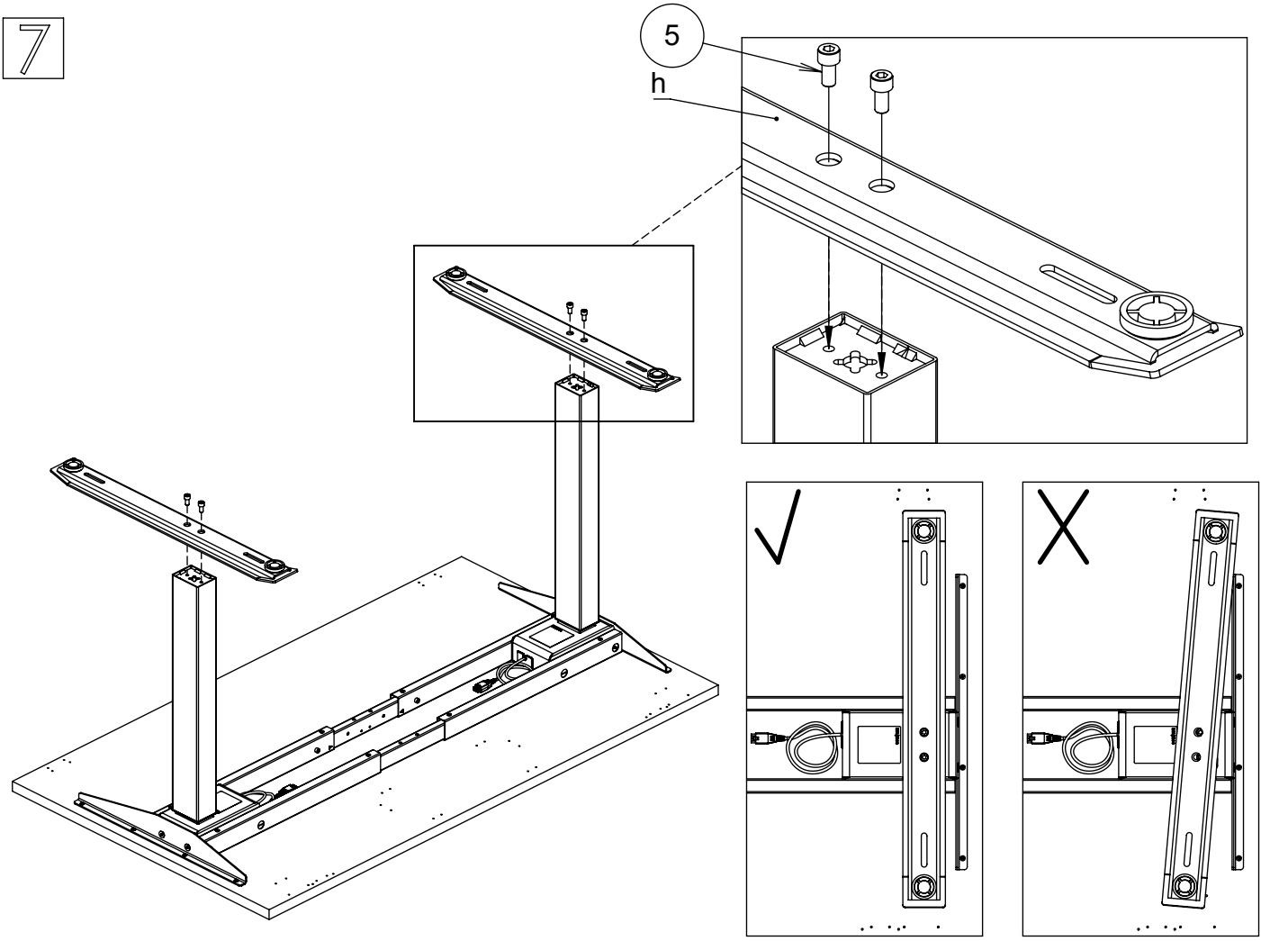
2



6

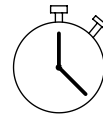
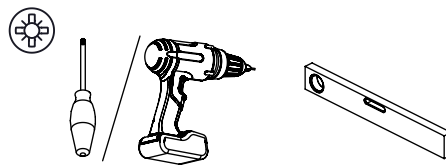
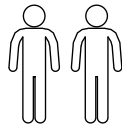


7



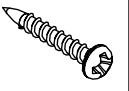
# M60EN322

EN Assembling scheme  
 DE Montageschema  
 FR Schéma d'assemblage



00 : 10

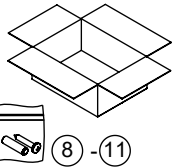
8



3,0x20 P  
M42A0007 x2

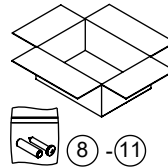
**-PA**

- h - x1
- i - x1
- j - x1
- k - x1

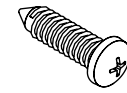


**-NA**

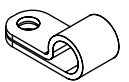
- m - x1
- n - x1
- o - x1



9

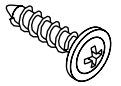


10

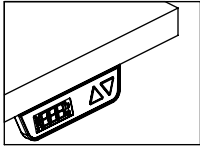


PA - x4  
NA - x3  
∅ 7.4  
M42A0007 x6

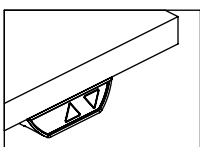
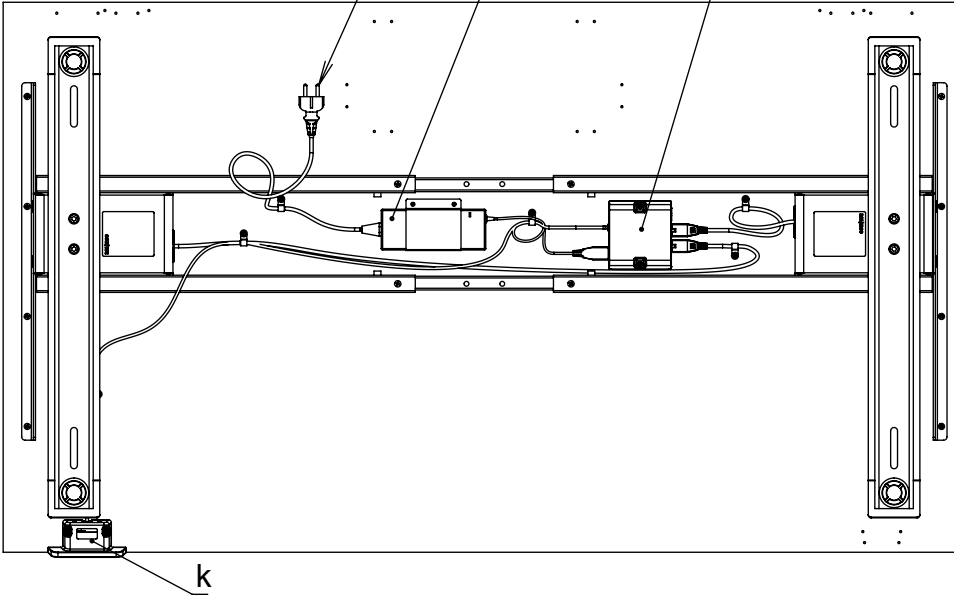
11



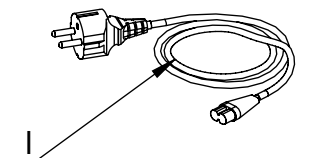
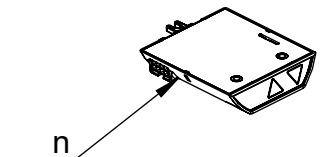
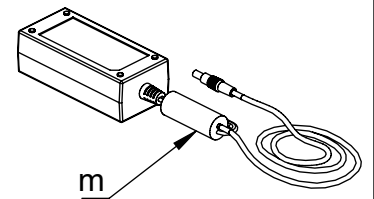
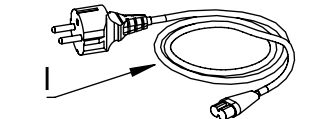
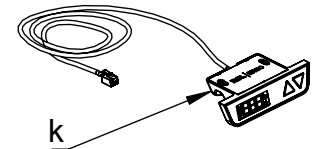
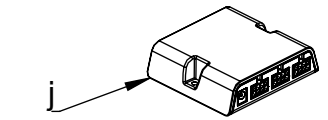
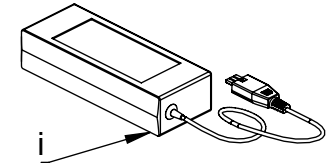
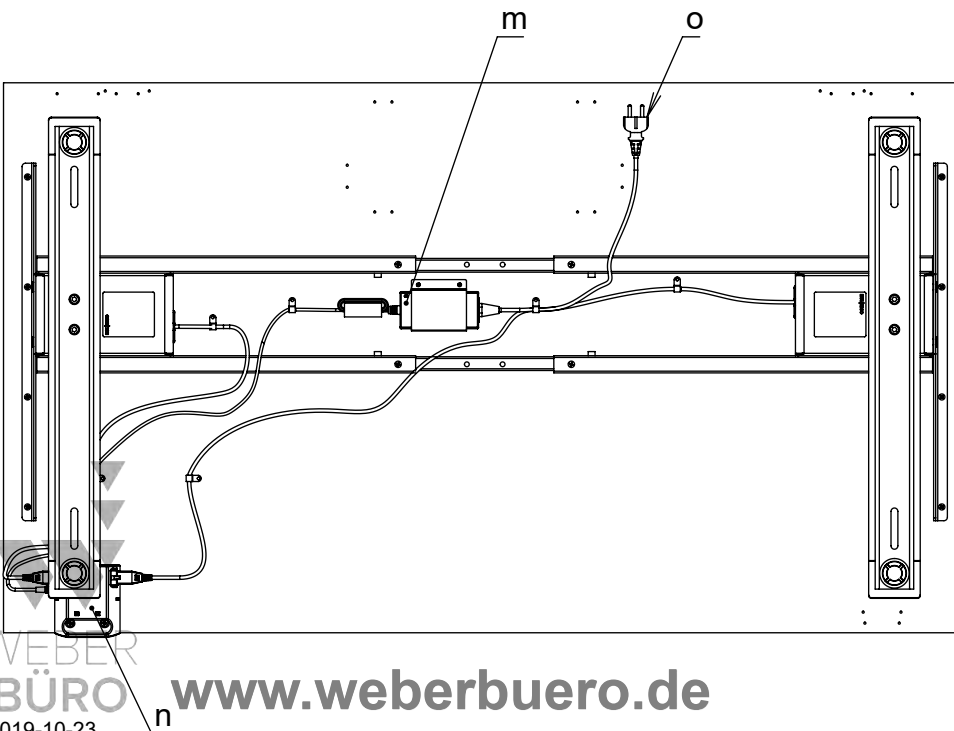
4,5x20  
M42A0001 x6



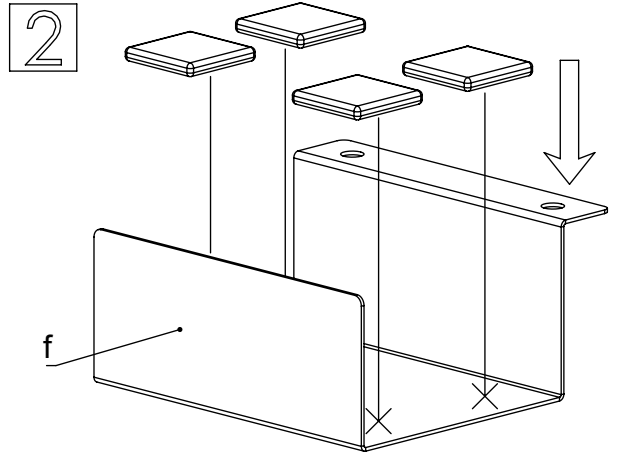
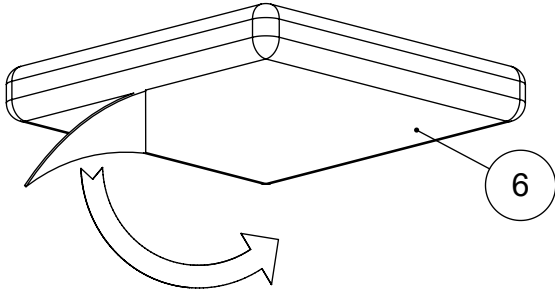
**-PA**



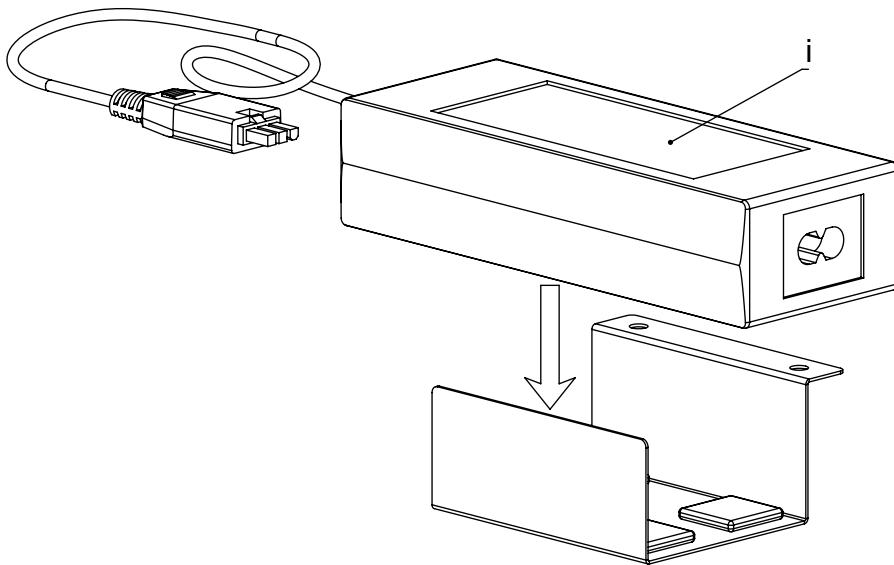
**-NA**



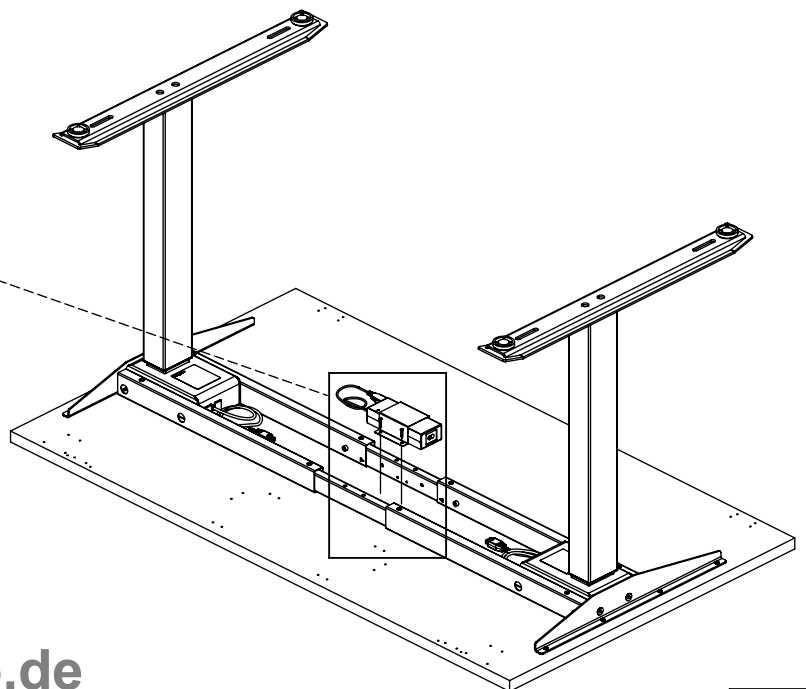
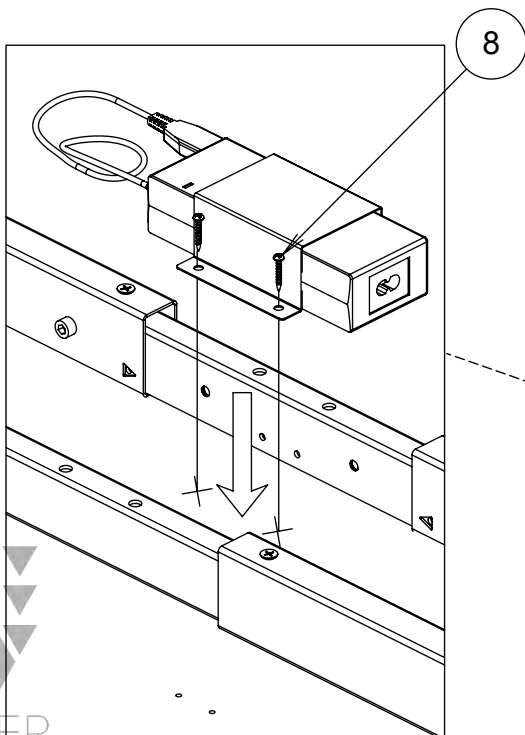
1 -PA



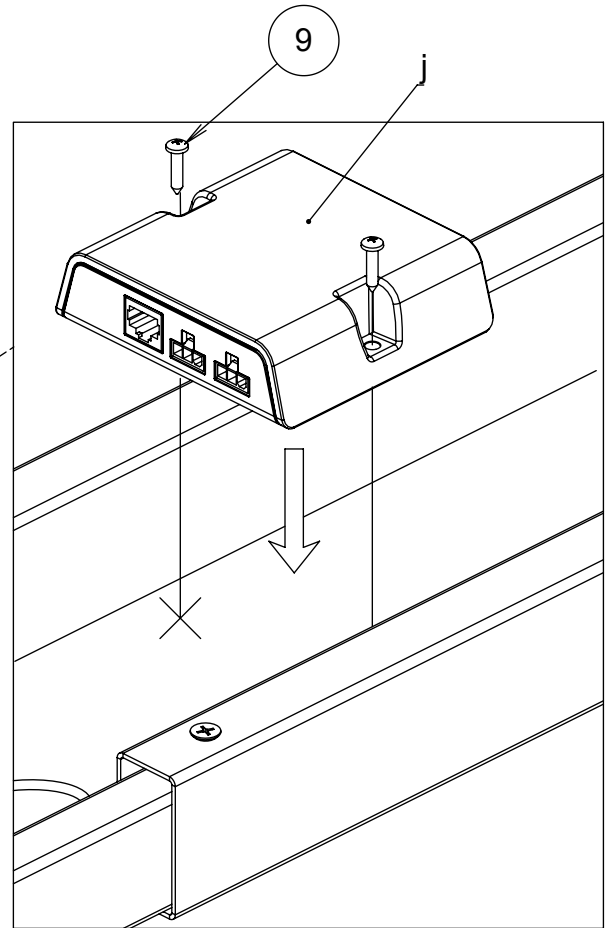
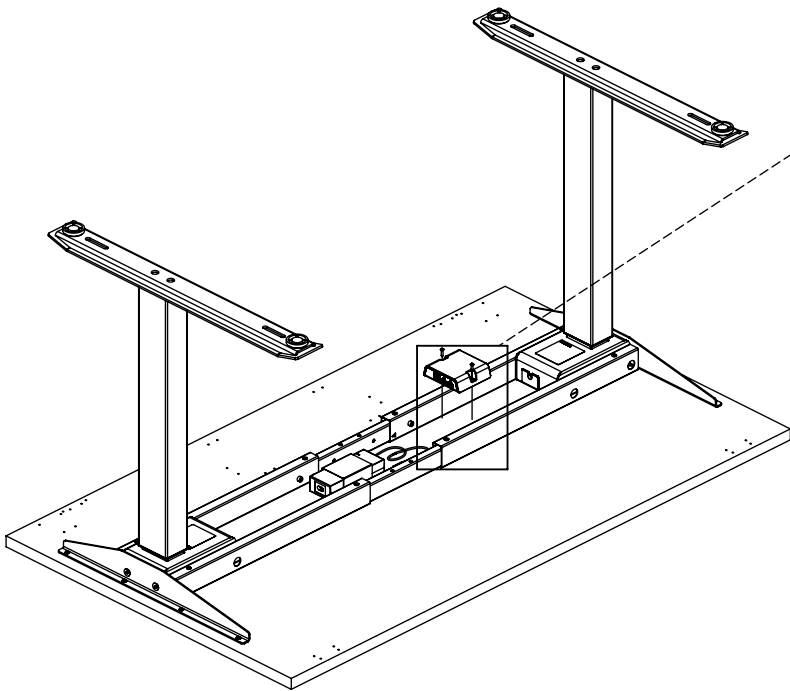
3



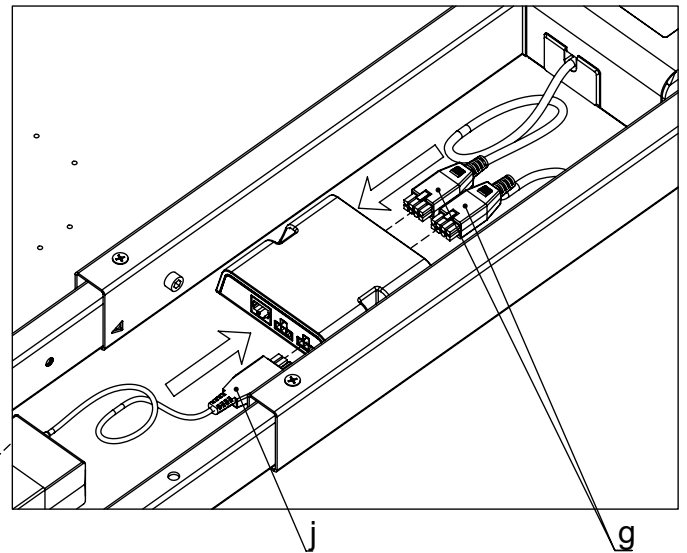
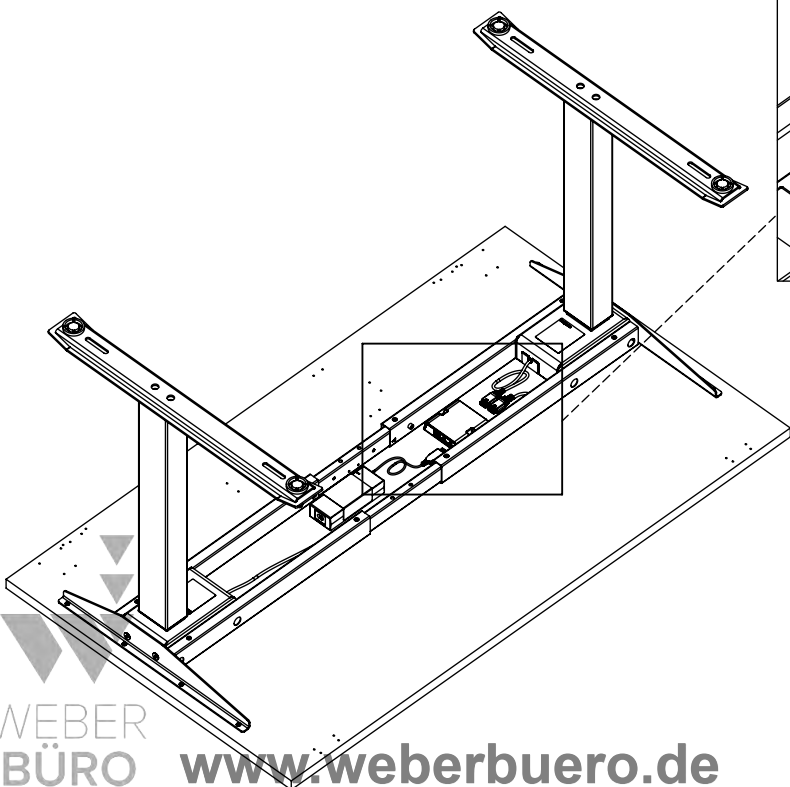
4



5

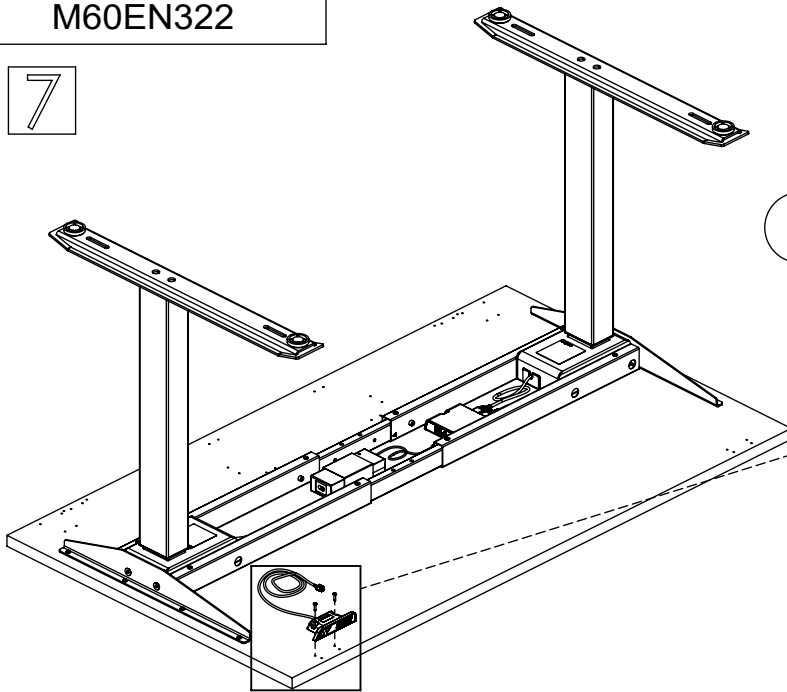


6



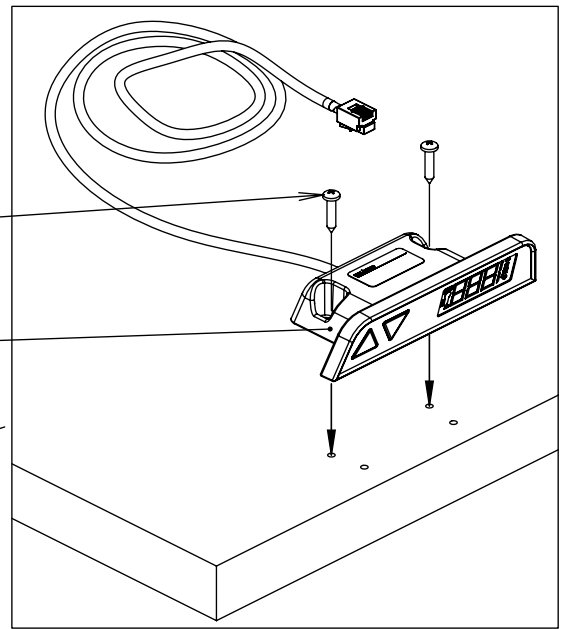


7

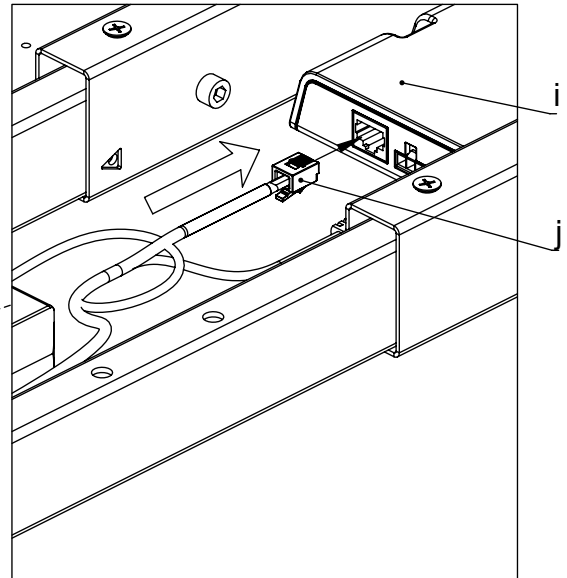
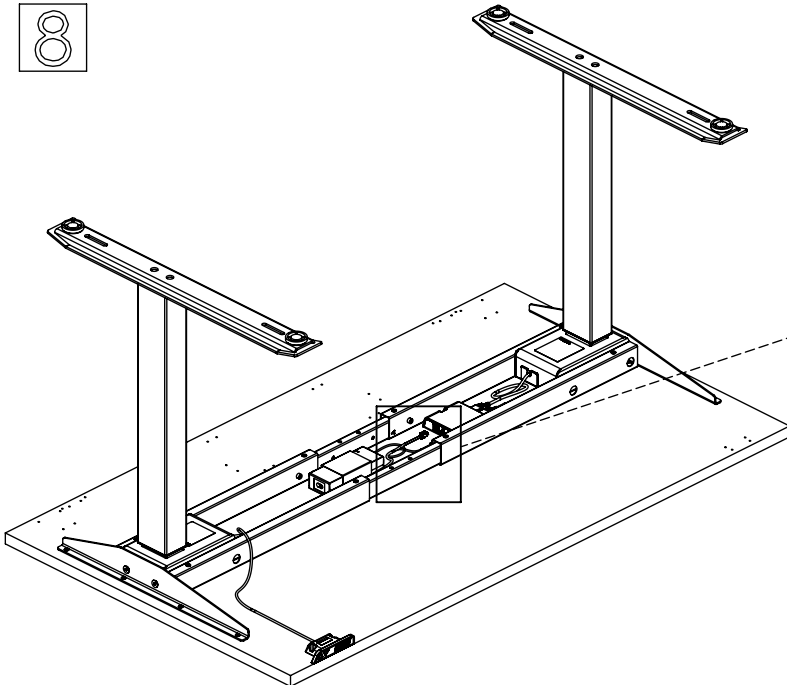


9

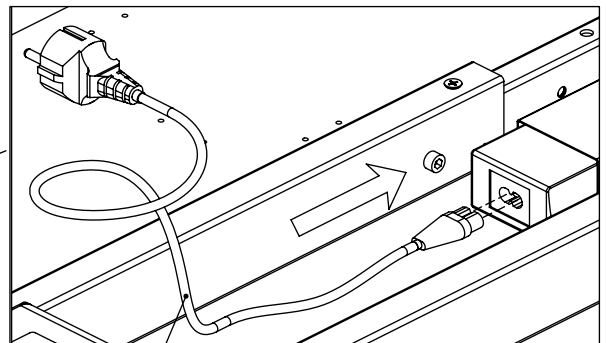
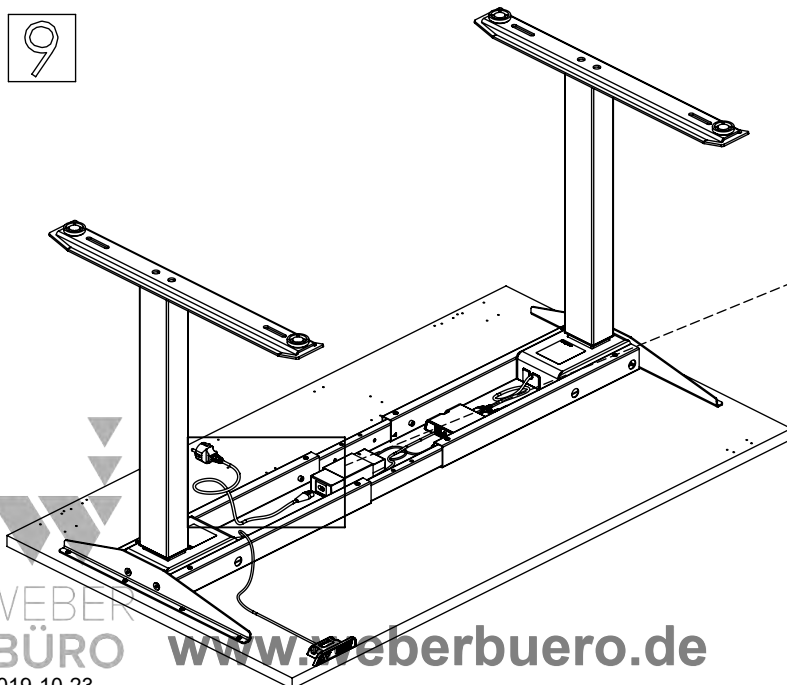
k



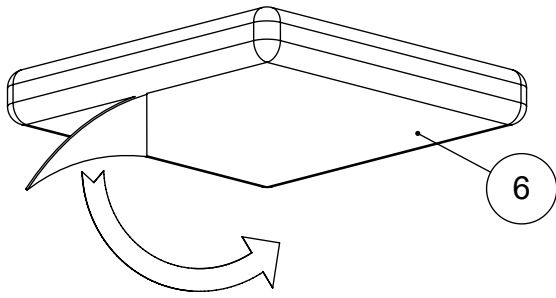
8



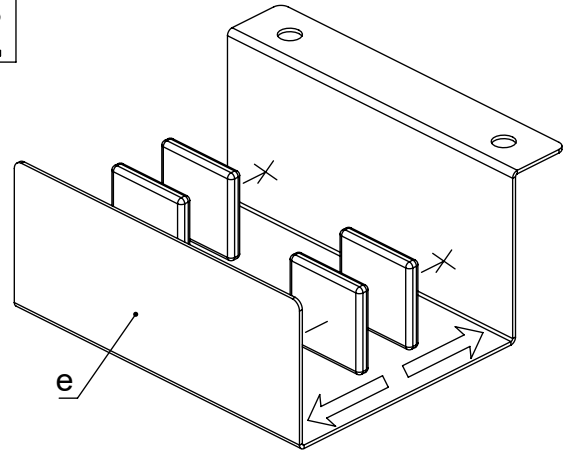
9



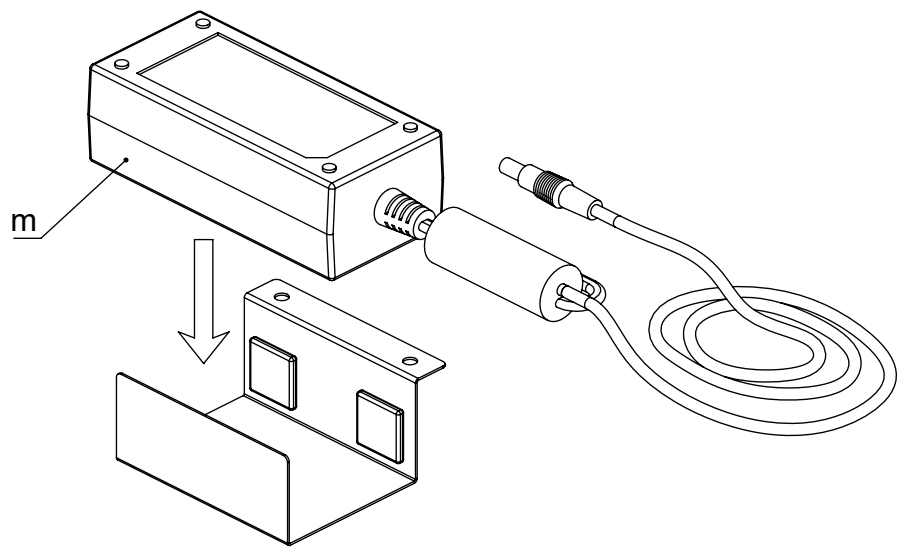
1 -NA



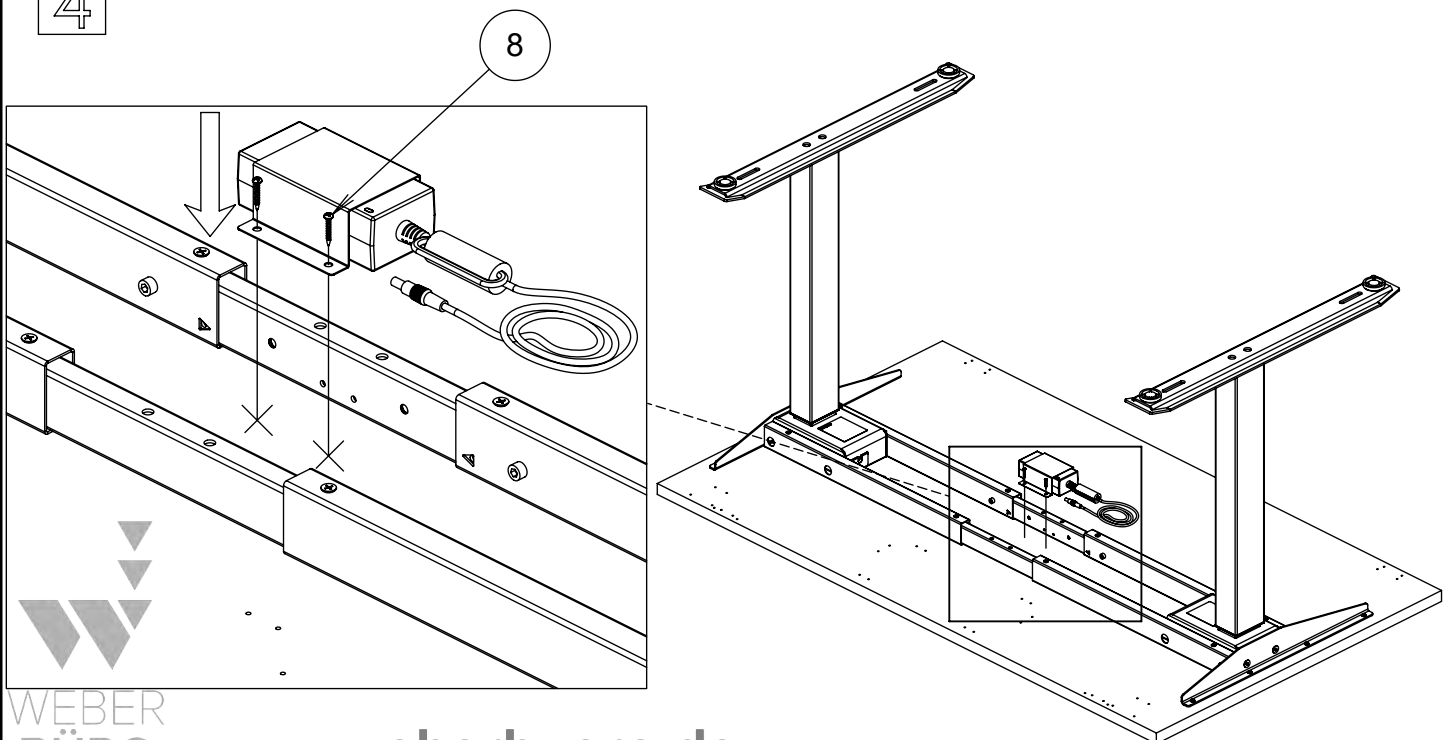
2



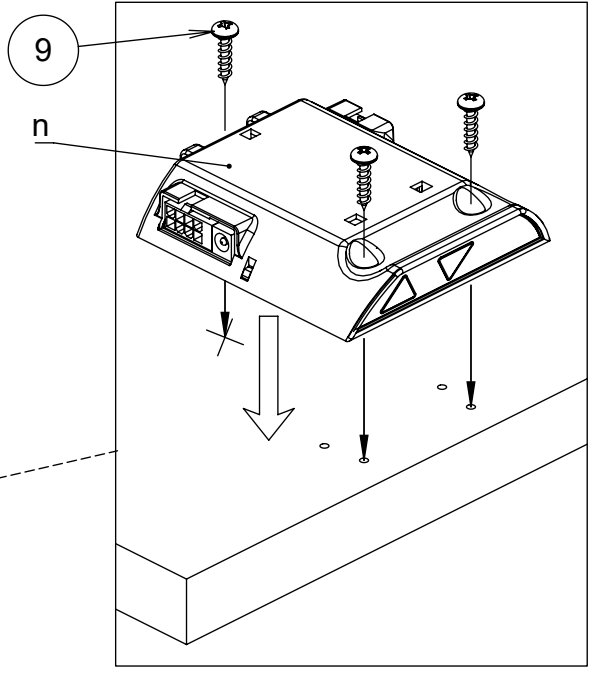
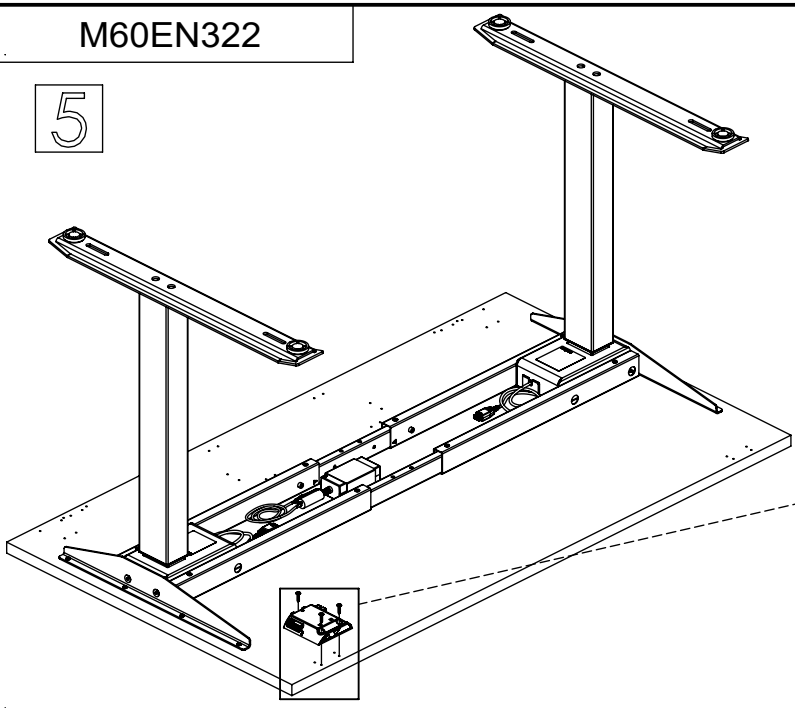
3



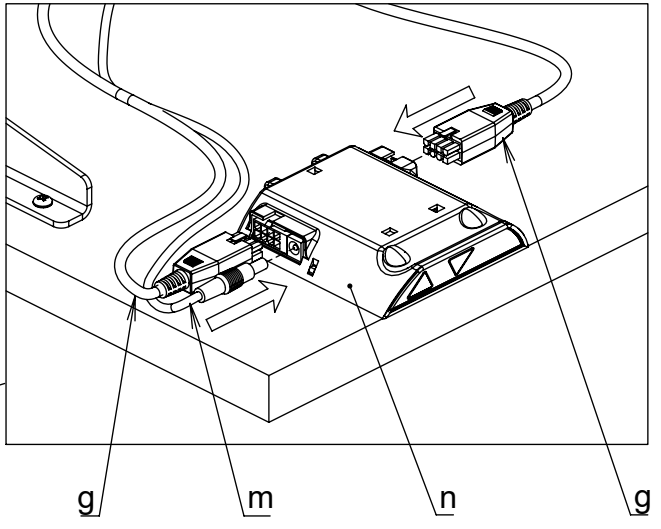
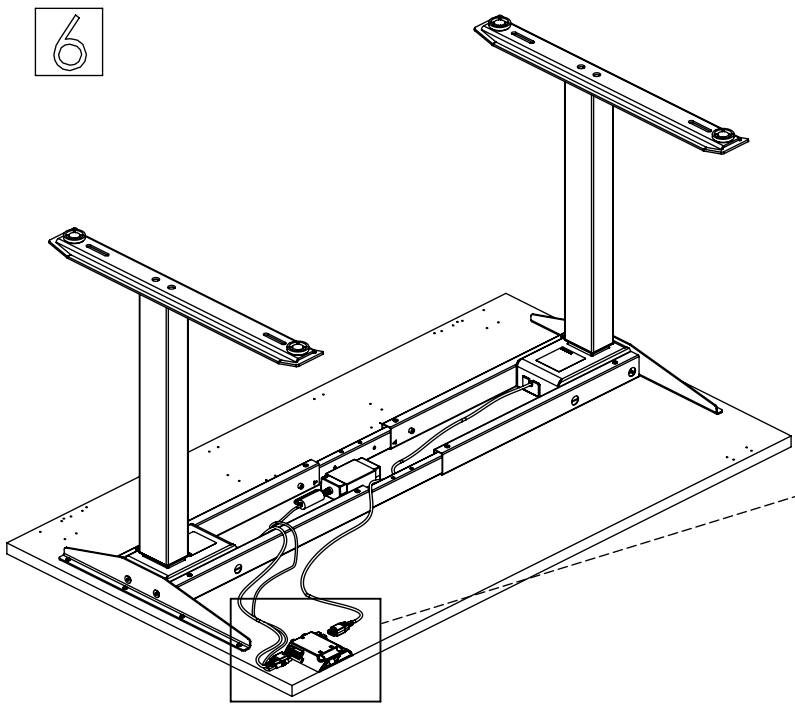
4



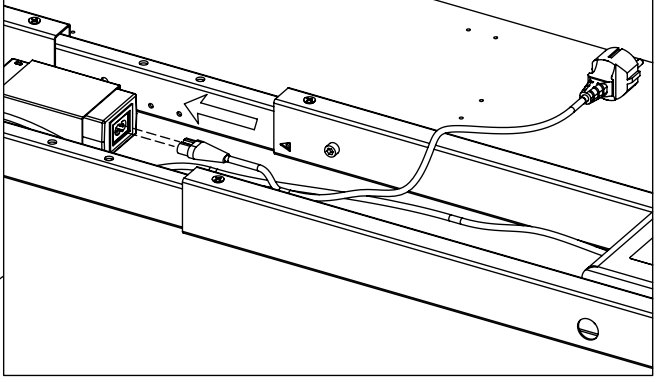
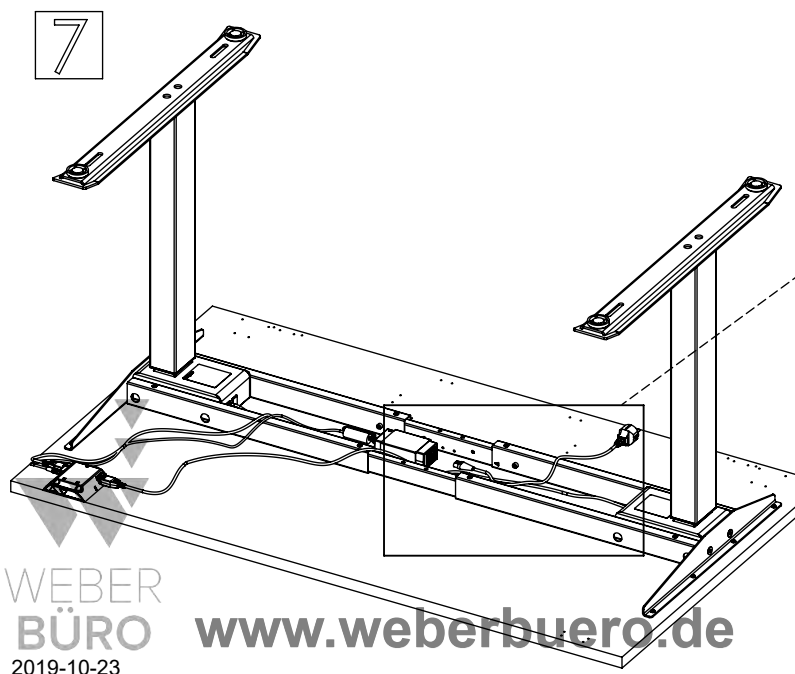
5



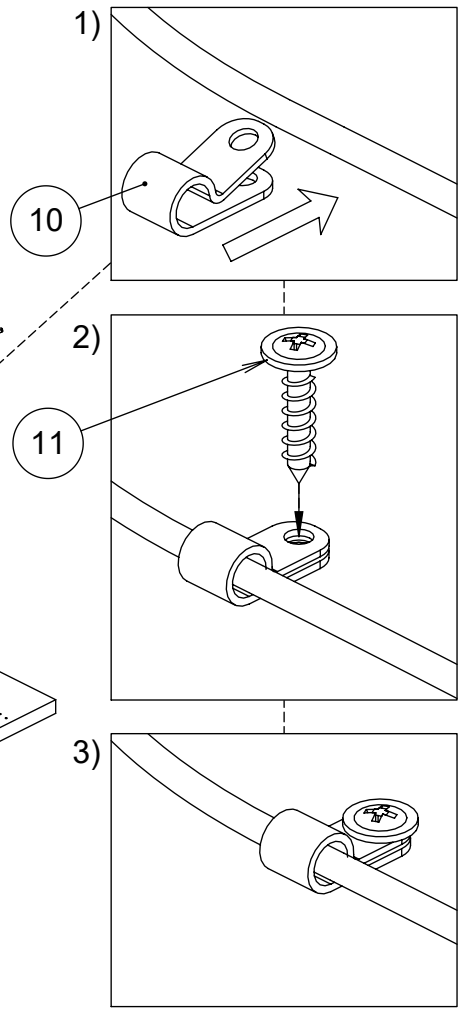
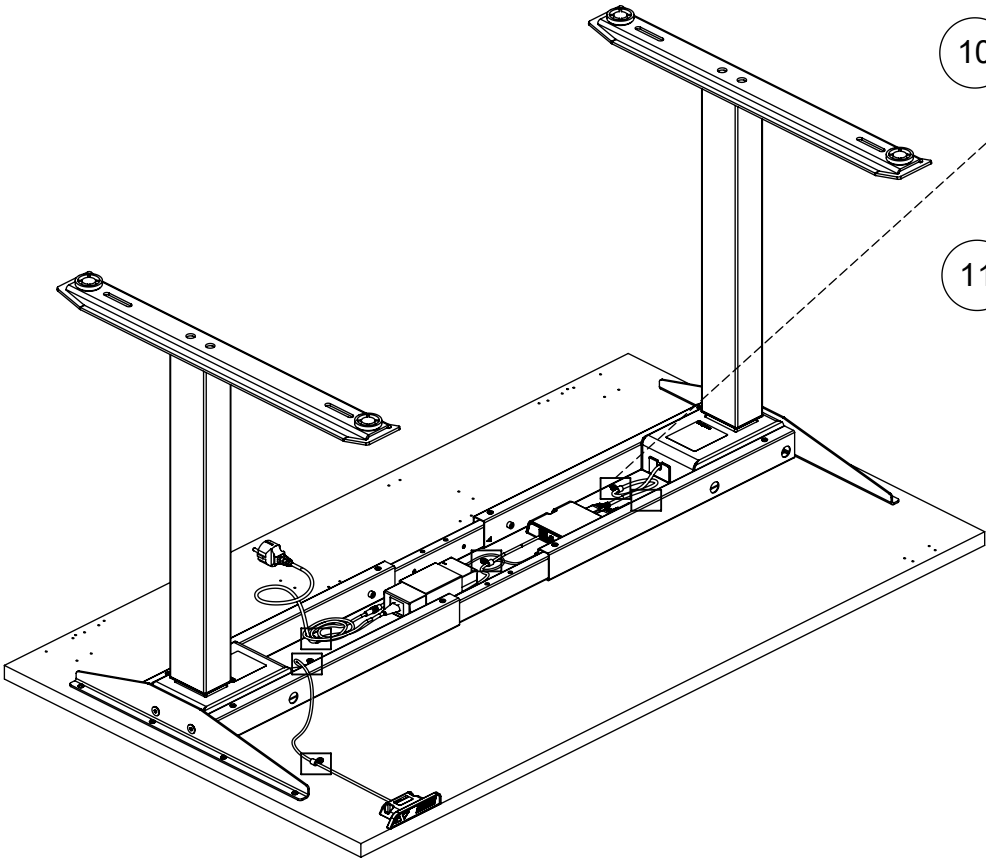
6



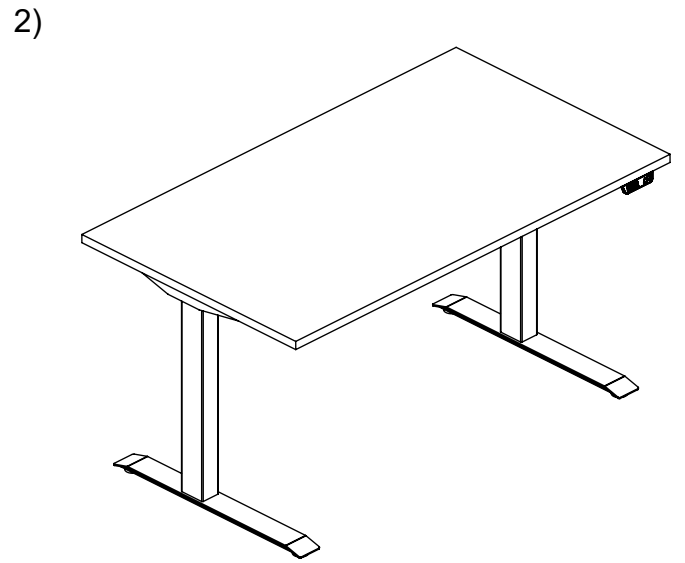
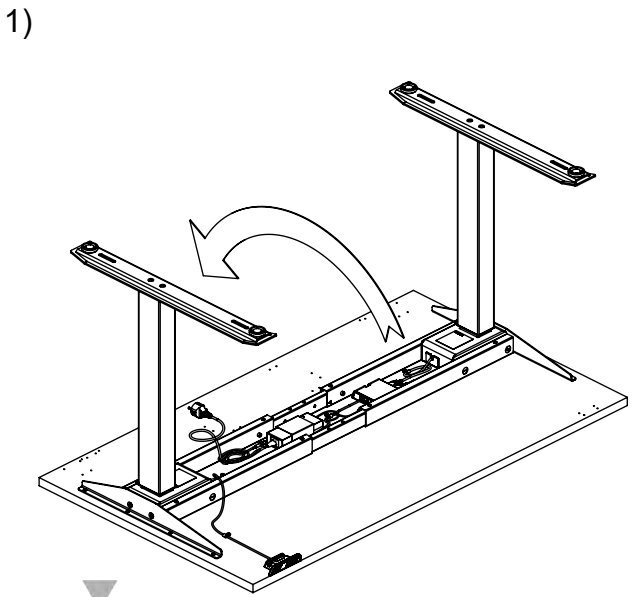
7



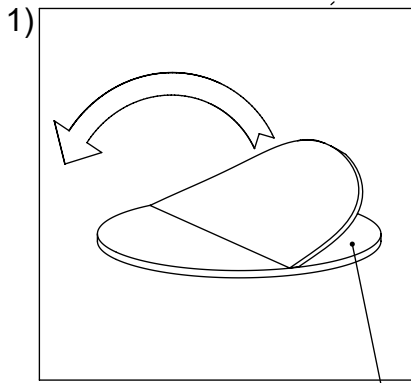
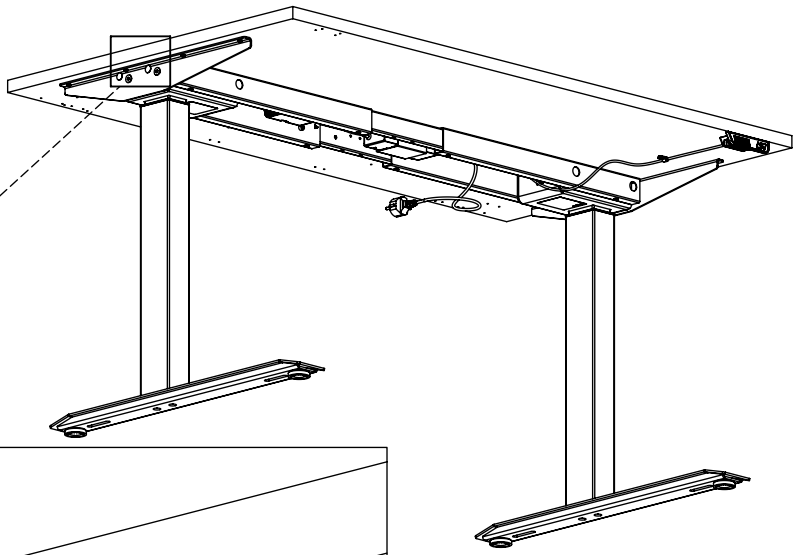
# 1 -PA & -NA



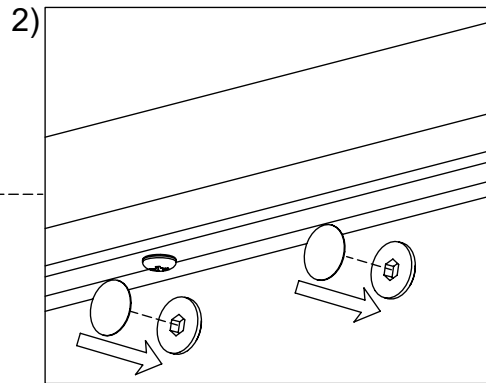
# 2



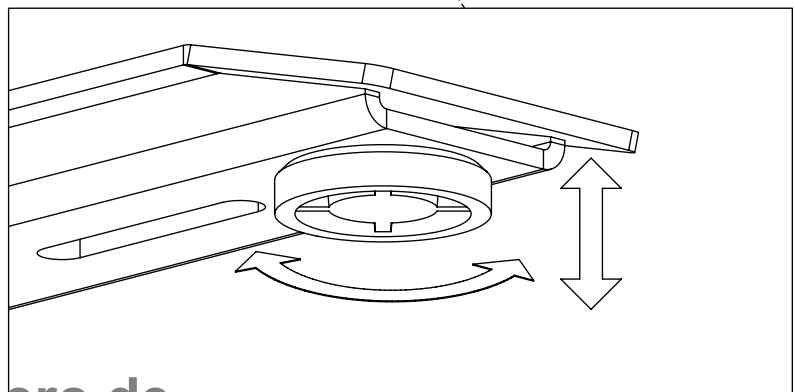
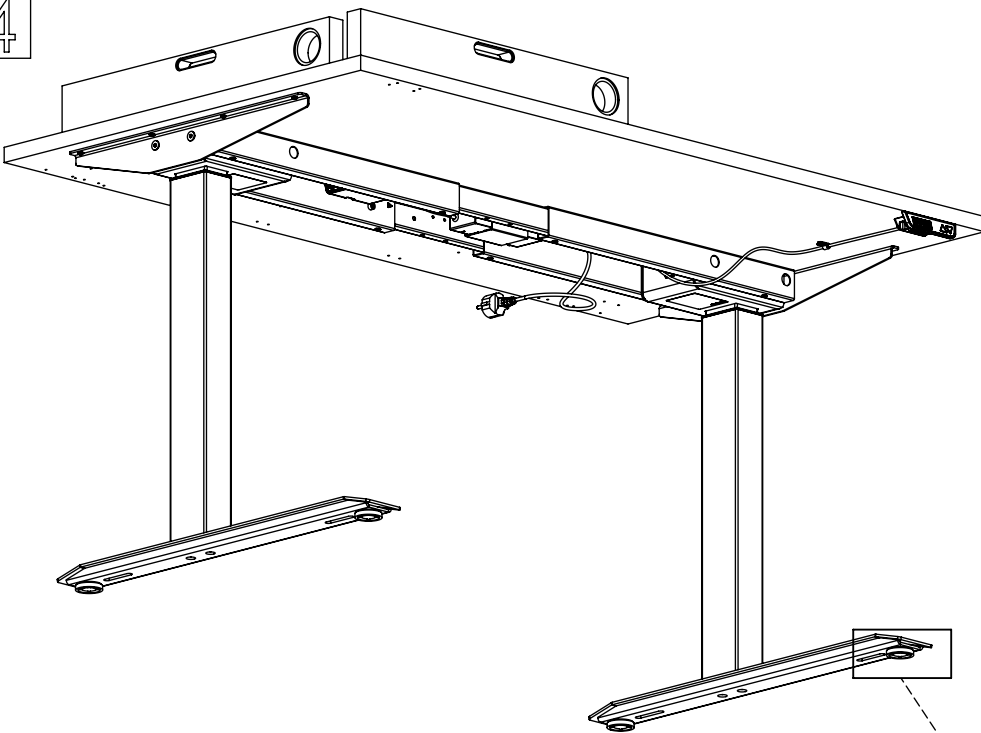
3



7

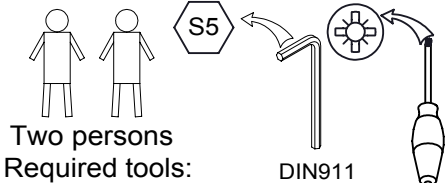


4

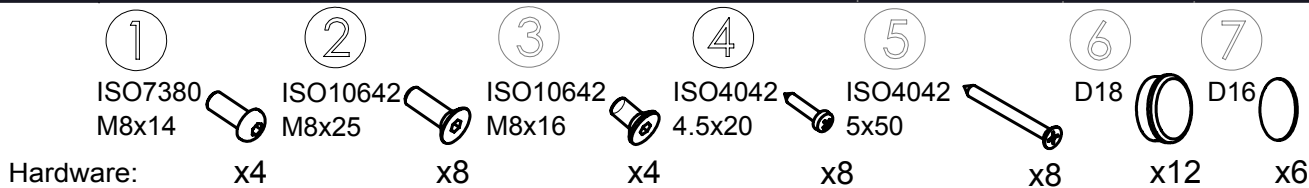


M60EU012

1 / 9



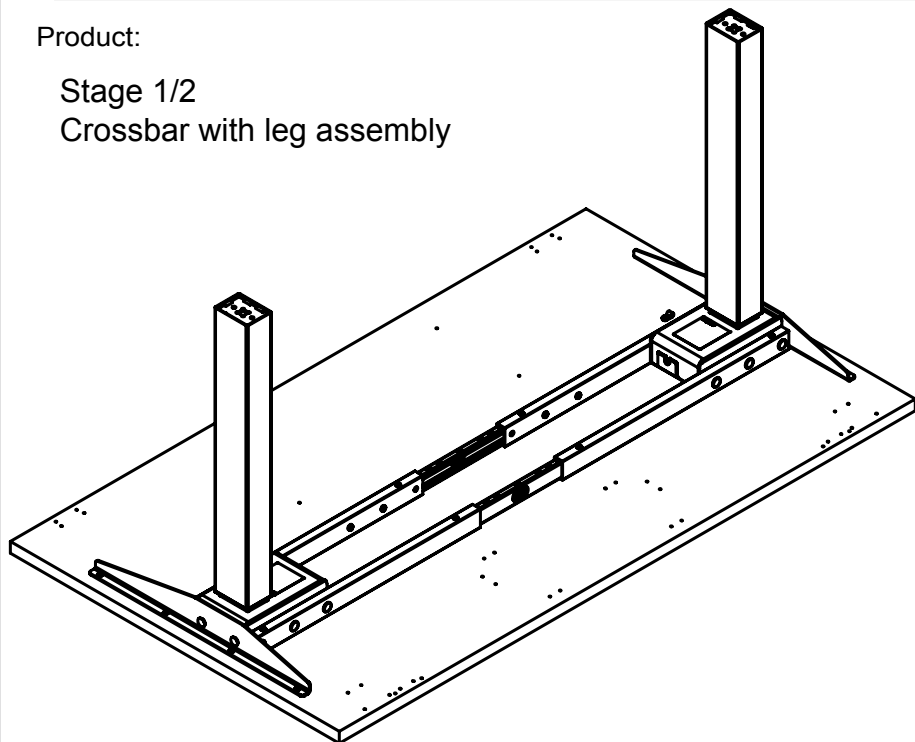
Assembly scheme



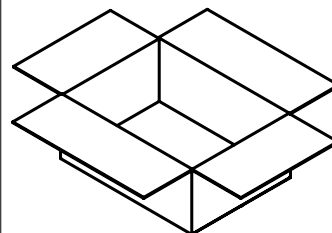
Product:

Stage 1/2

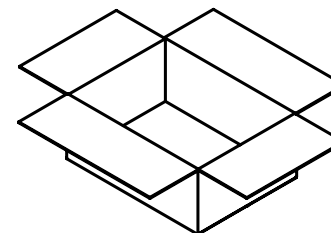
Crossbar with leg assembly



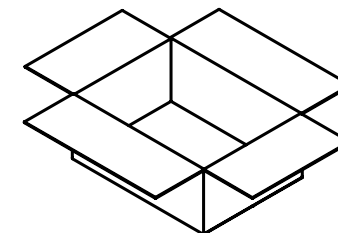
a - 1 pcs.



b - 2 pcs.

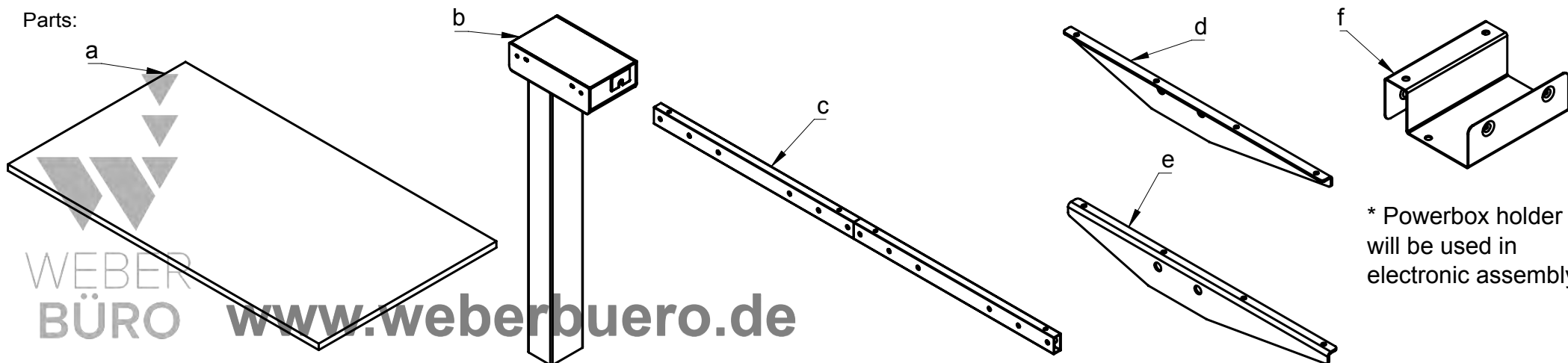


c - 2 pcs.  
d - 1 pcs.  
e - 1 pcs.  
f - 1 pcs.

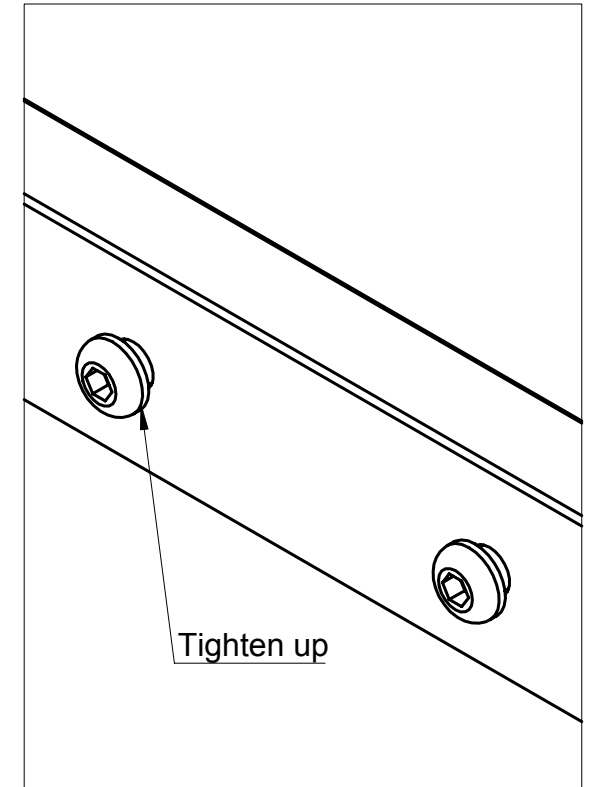
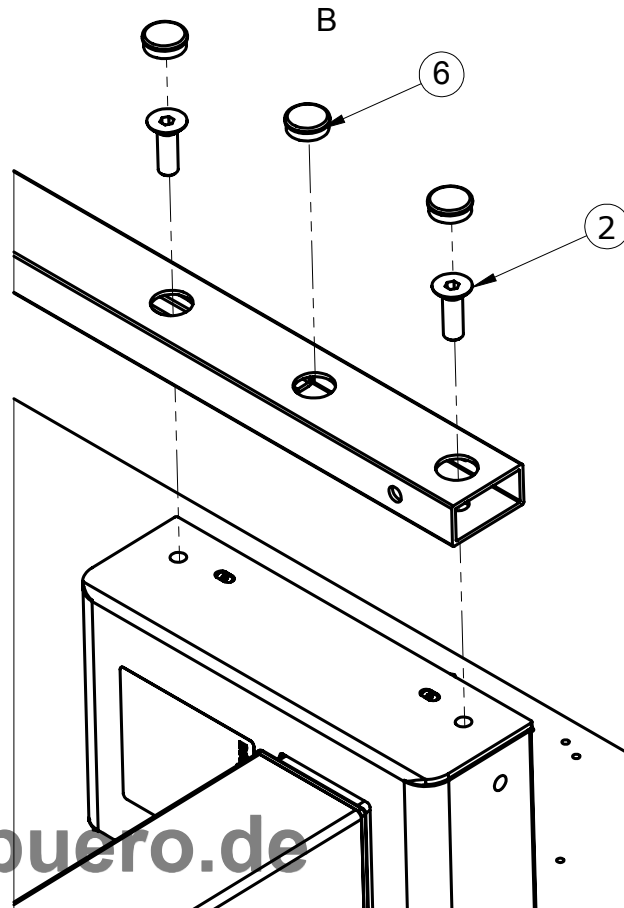
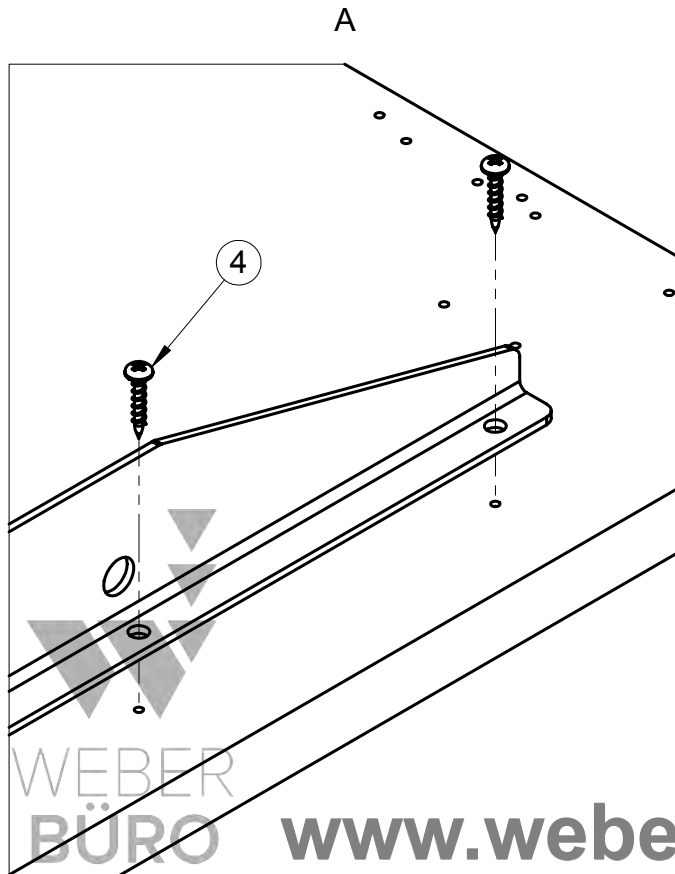
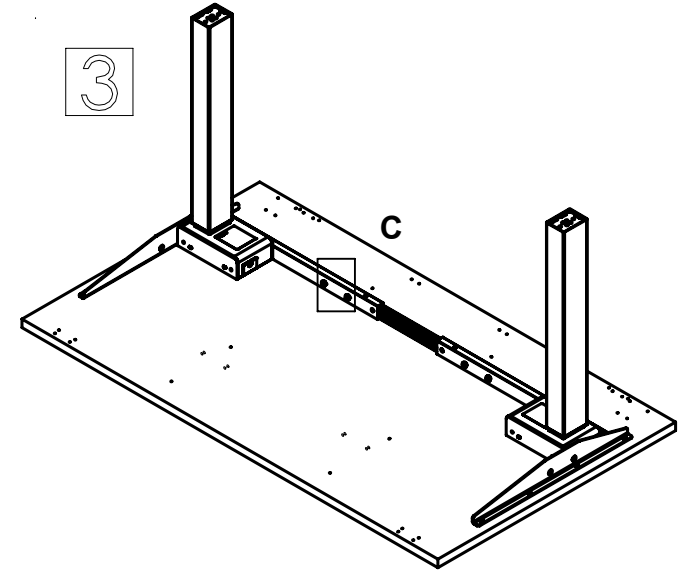
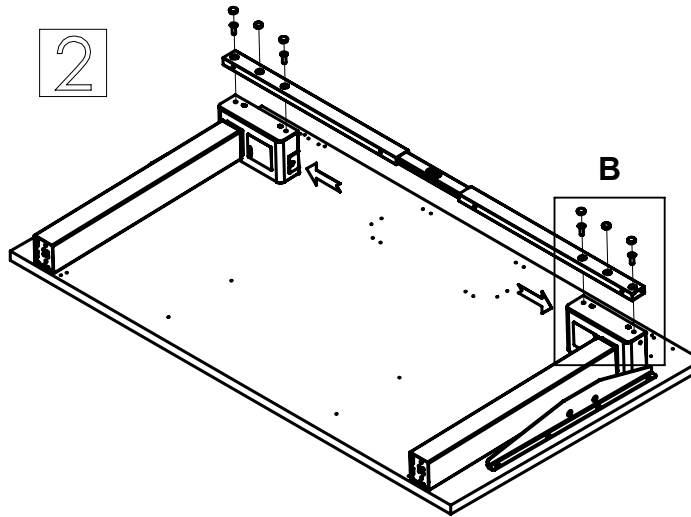
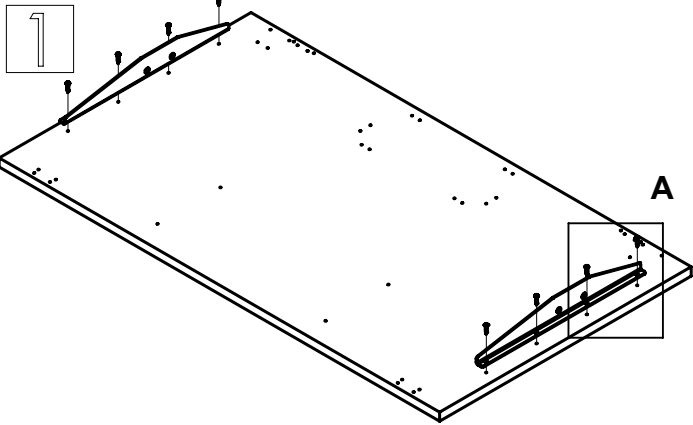


\* Hardware included

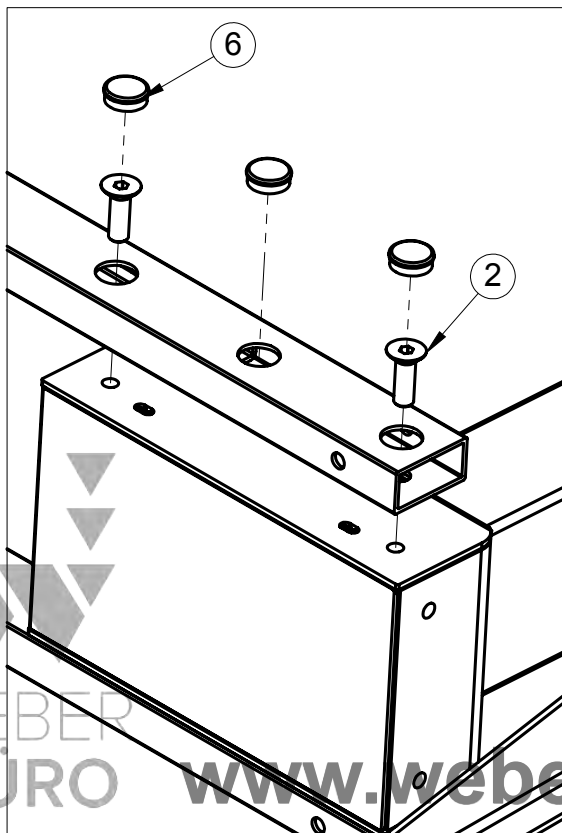
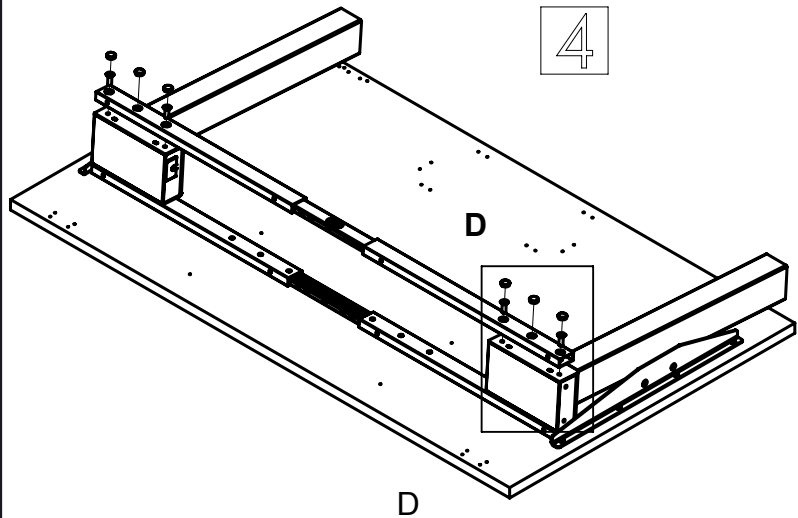
Parts:



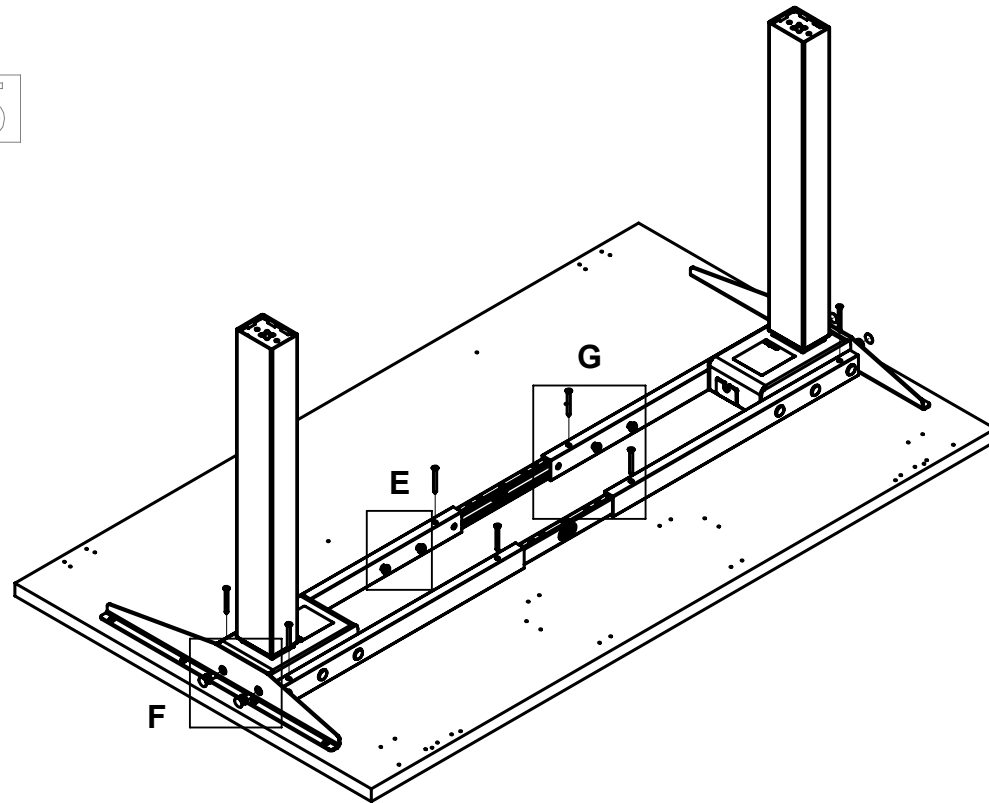
\* Powerbox holder will be used in electronic assembly



4



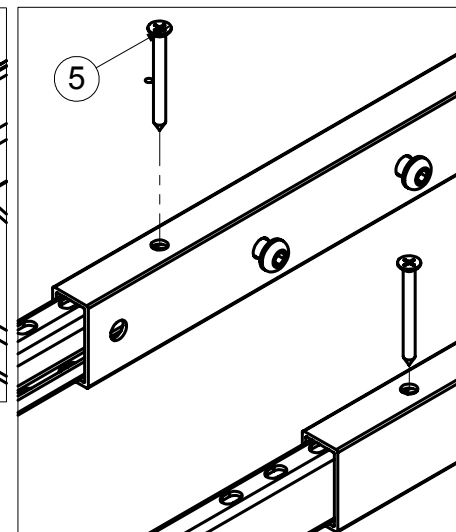
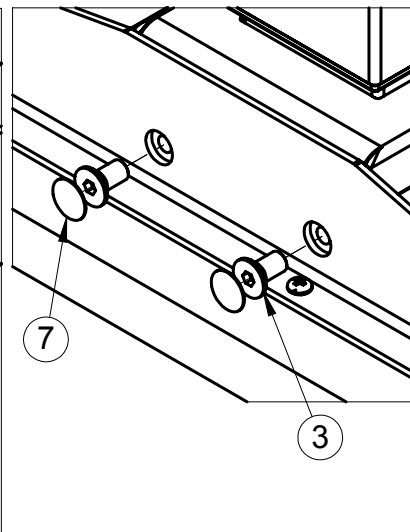
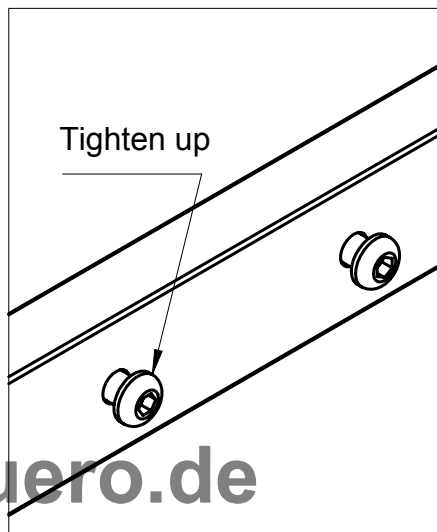
5



E

F

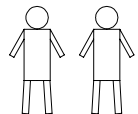
G



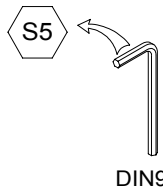


M60EU012

4 / 9



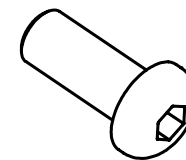
Two persons  
Required tools:



Hardware:



ISO7380  
M8x14



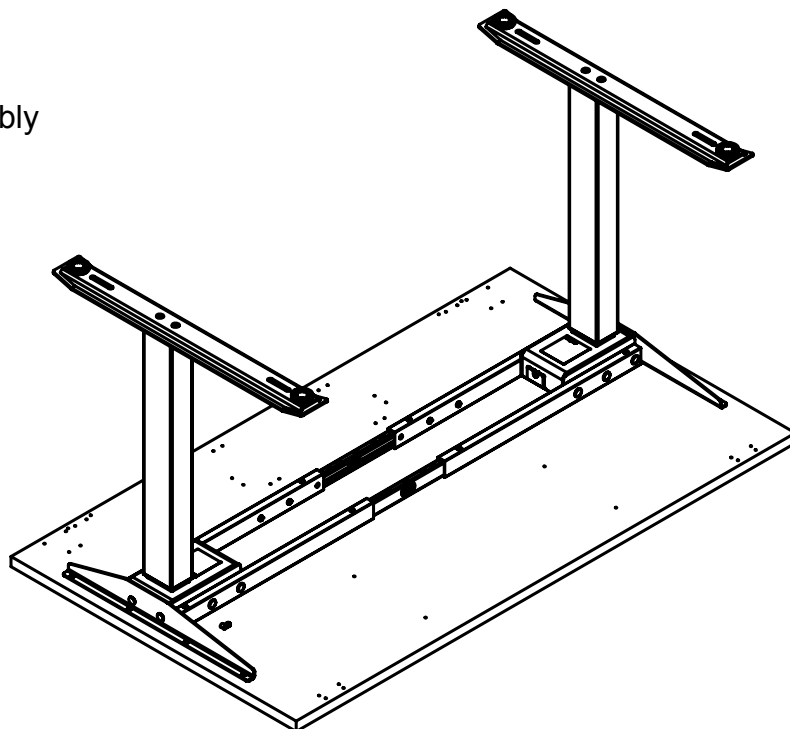
( Bolts in G6F394 )

x4

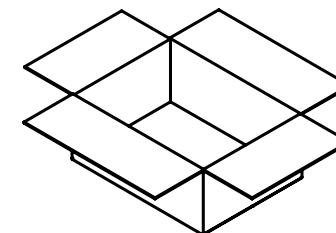
Product:

Stage 2/2

Metal foot assembly

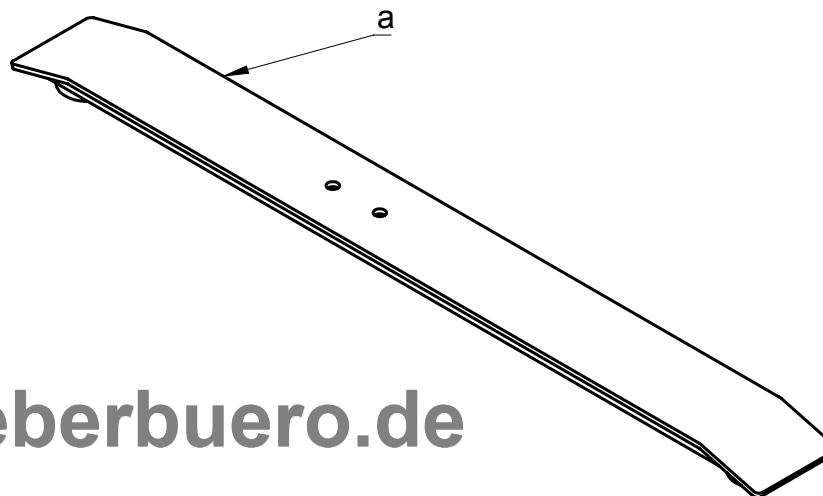


a - 2 pcs.



G3P023 - 1 pcs.

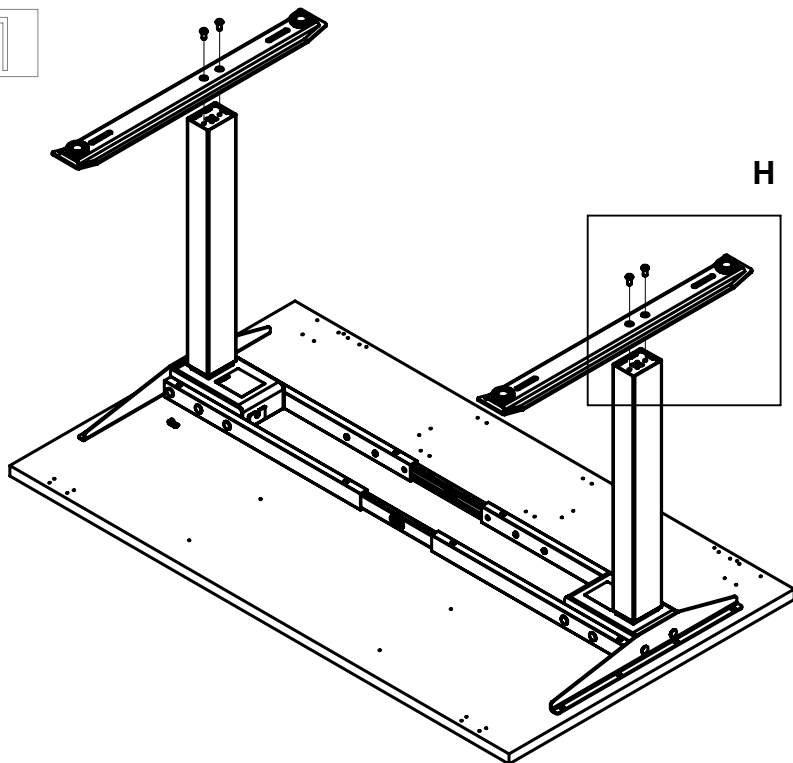
Parts:



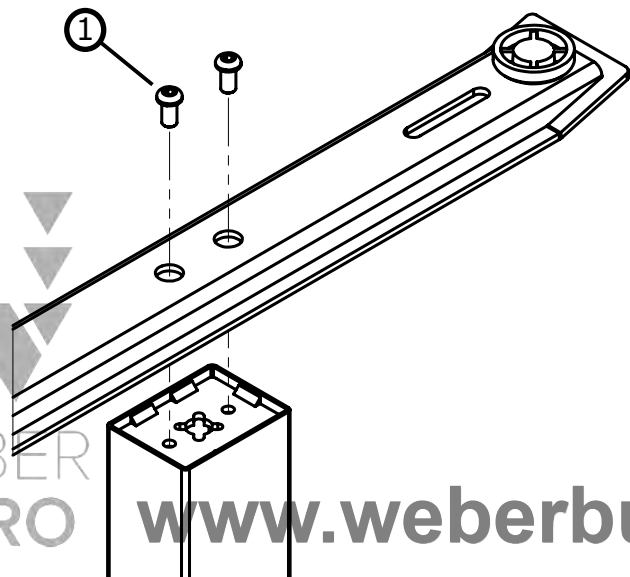
WEBER  
BÜRO

[www.weberbuero.de](http://www.weberbuero.de)

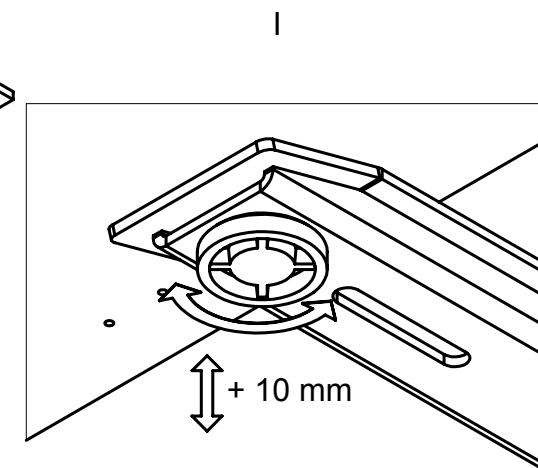
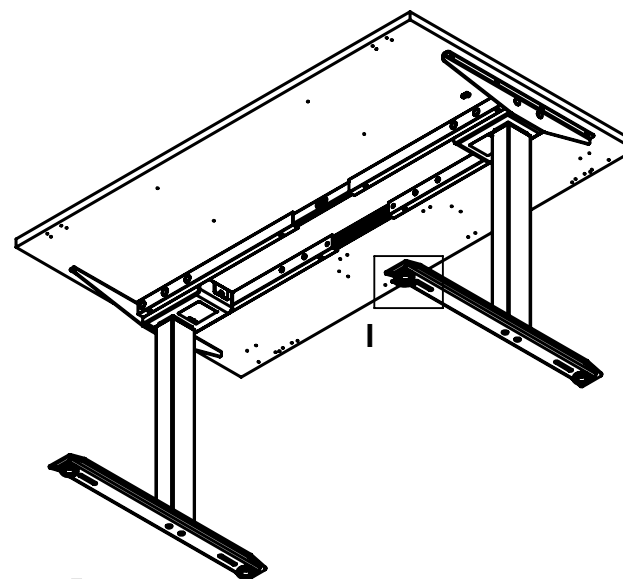
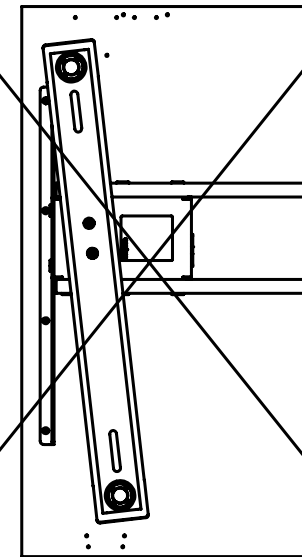
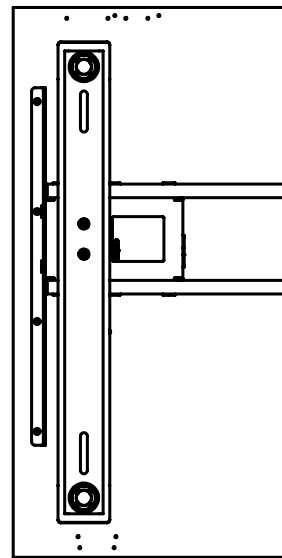
1



①

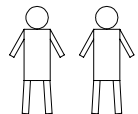


\* Attention ! First check if metal foot is symmetric.  
Then tighten up.

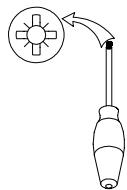


M60EU012

6 / 9

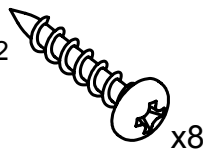


Two persons  
Required tools:

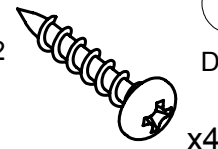


Hardware:

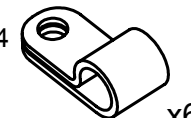
①  
ISO4042  
4.5x20



②  
ISO4042  
3.5x20

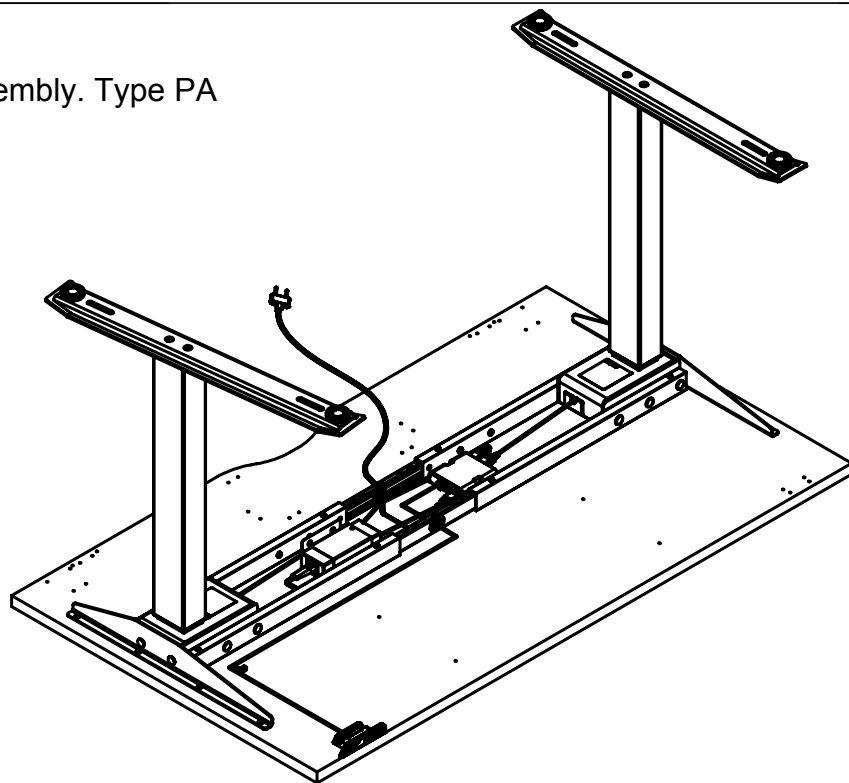


③  
D 7.4

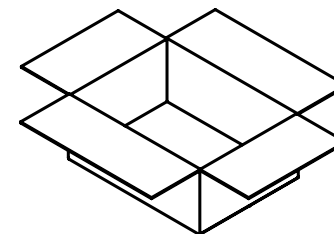


### Assembly scheme

Product:  
Electricity assembly. Type PA



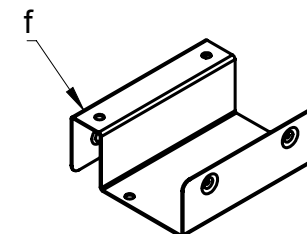
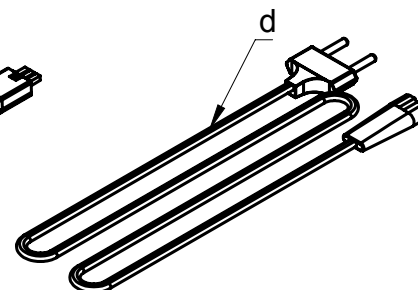
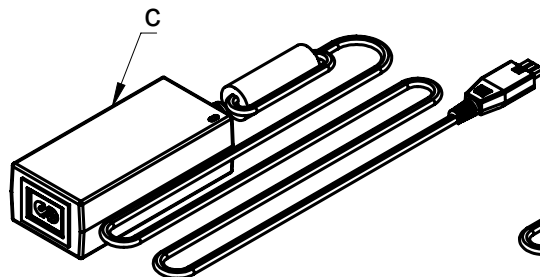
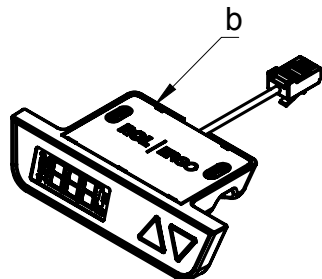
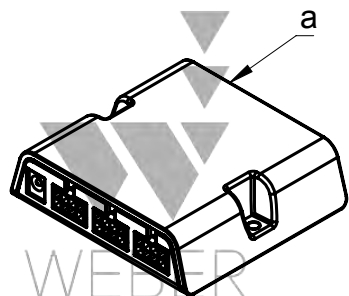
- a - 1 pcs.
- b - 1 pcs.
- c - 1 pcs.
- d - 1 pcs.



G6F391-PA or G6F393-PA - 1 pcs.

\* Hardware included

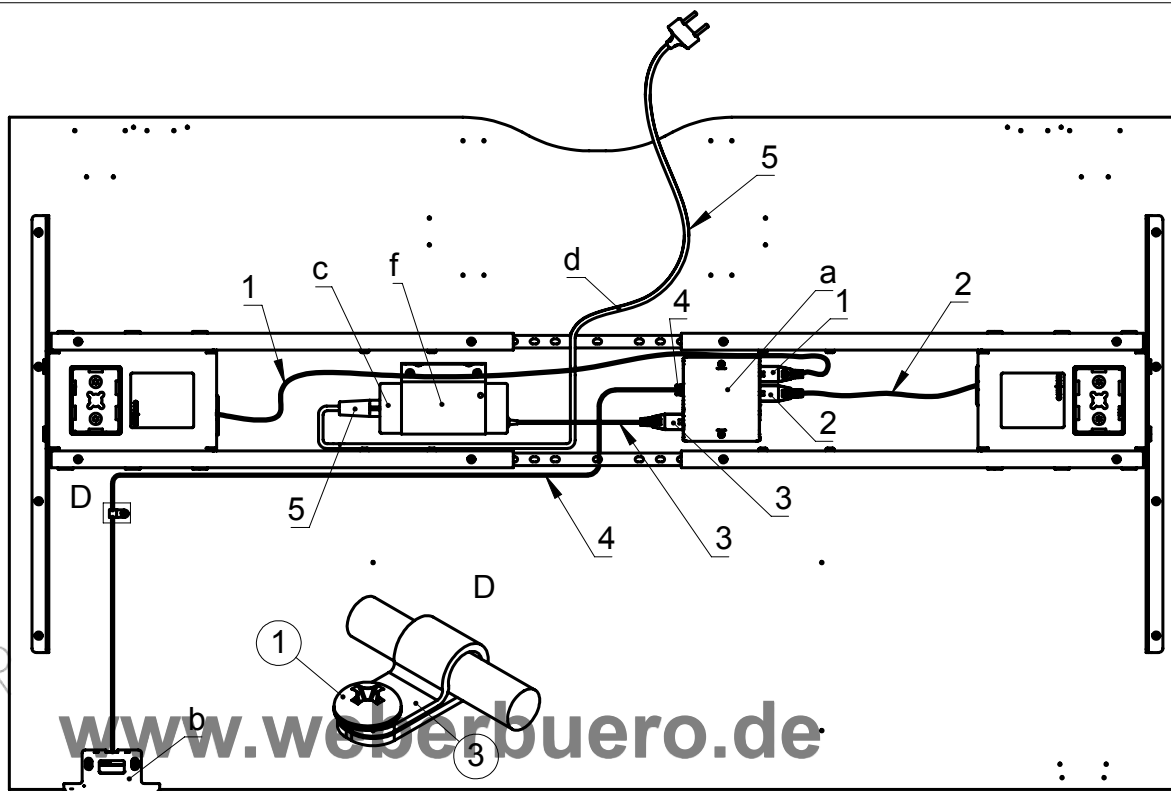
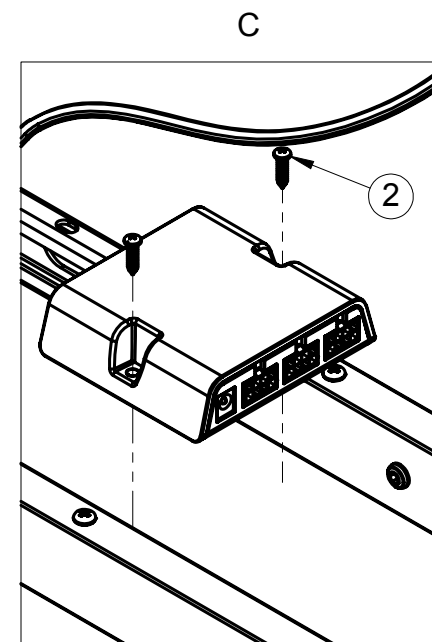
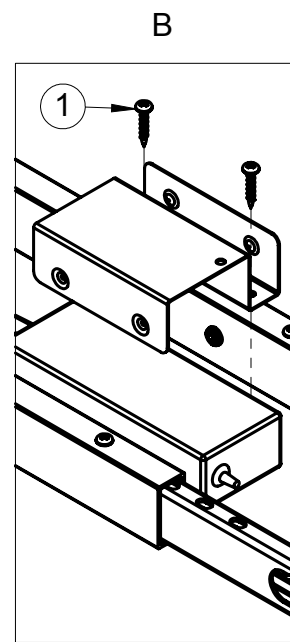
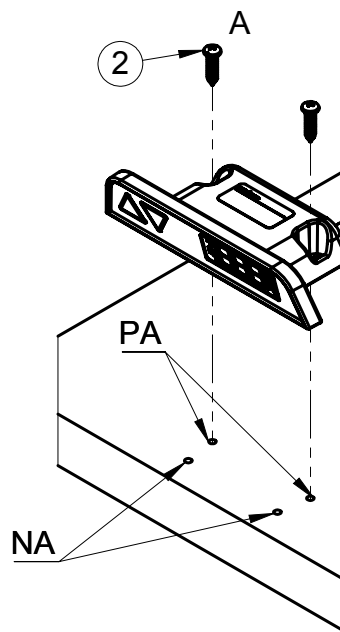
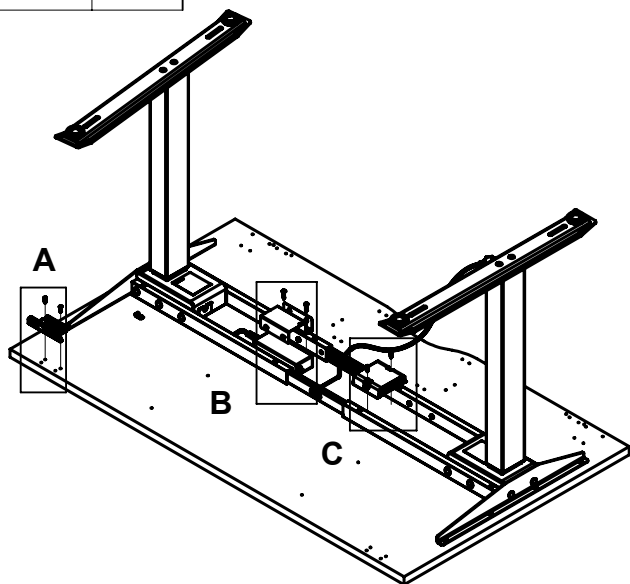
### Parts:



WEBER  
BÜRO [www.weberbuero.de](http://www.weberbuero.de)

\* Power cable depend on  
the region socket type

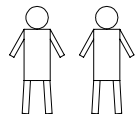
\* From G6F394 package



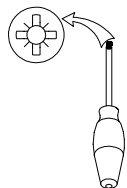
- 1. Column cable
- 2. Column cable
- 3. Power cable for controlbox
- 4. Type PA control unit cable
- 5. Main power cable

M60EU012

8 / 9



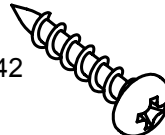
Two persons  
Required tools:



Hardware:

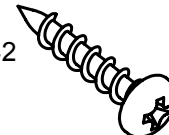
①

ISO4042  
4.5x20



②

ISO4042  
3.5x20



③

D 7.4



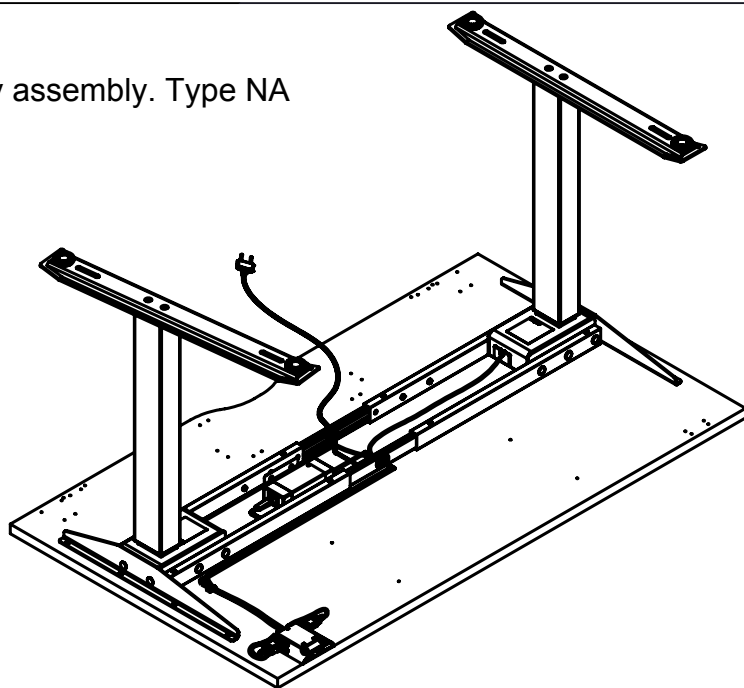
x8

x4

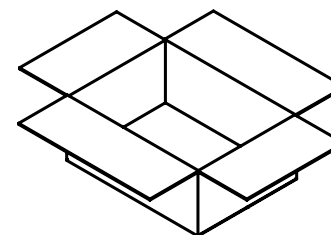
x6

### Assembly scheme

Product:  
Electricity assembly. Type NA



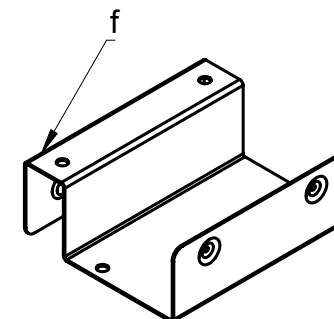
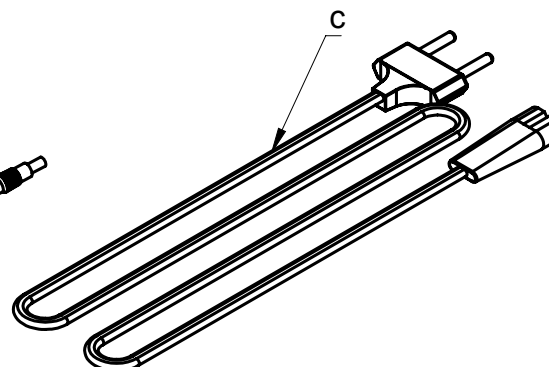
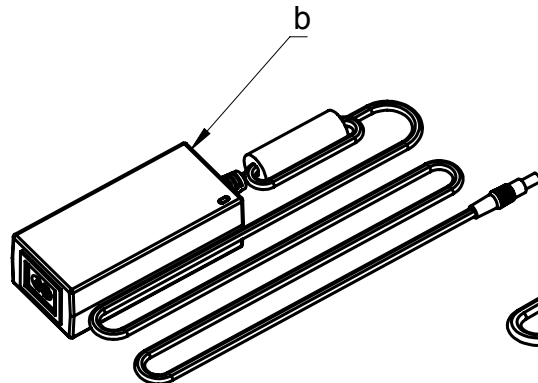
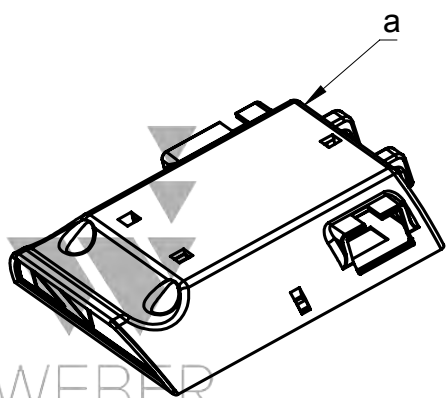
a - 1 pcs.  
b - 1 pcs.  
c - 1 pcs.



G6F391-NA or G6F393-NA - 1 pcs.

\* Hardware included

### Parts:

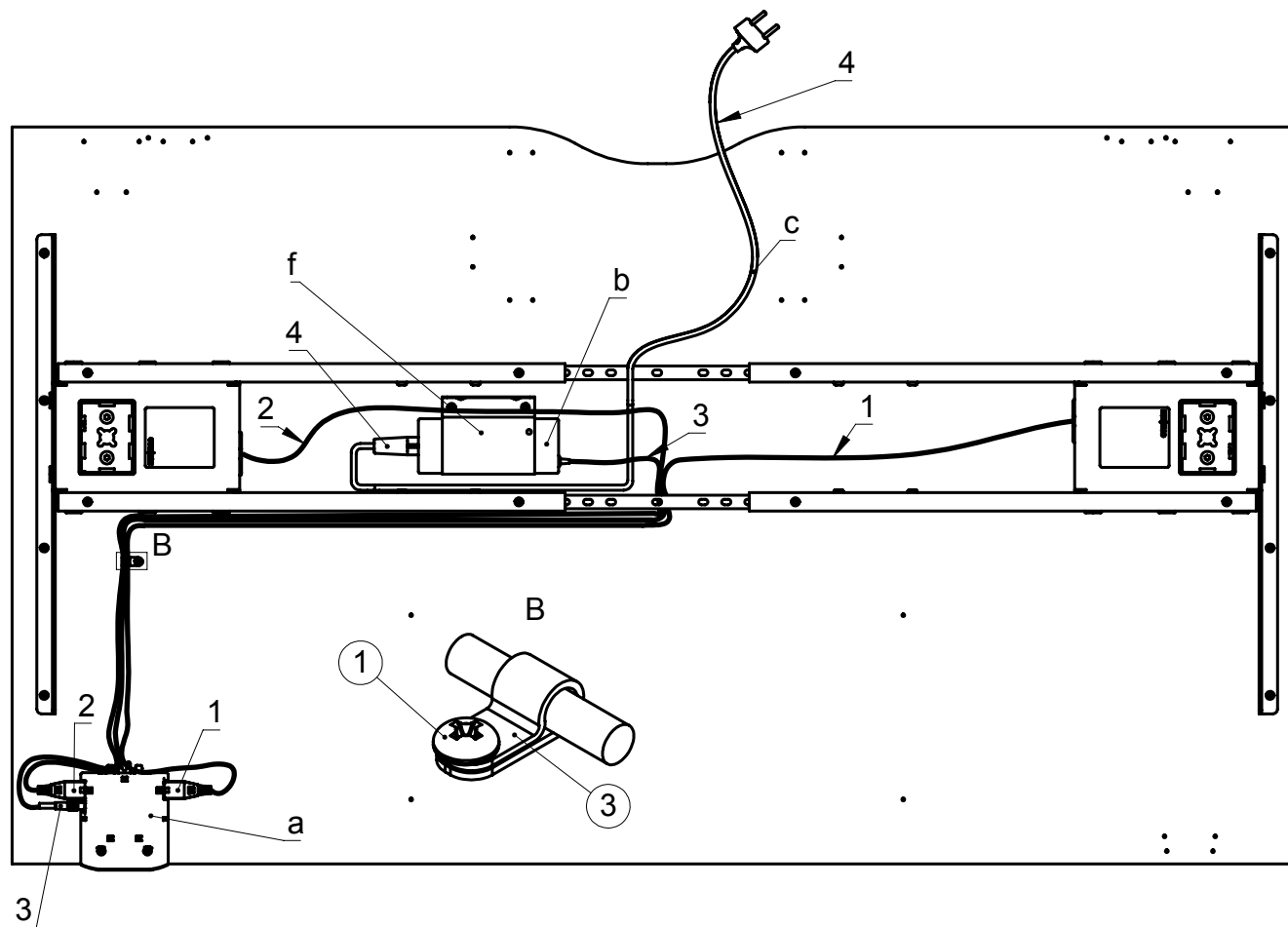
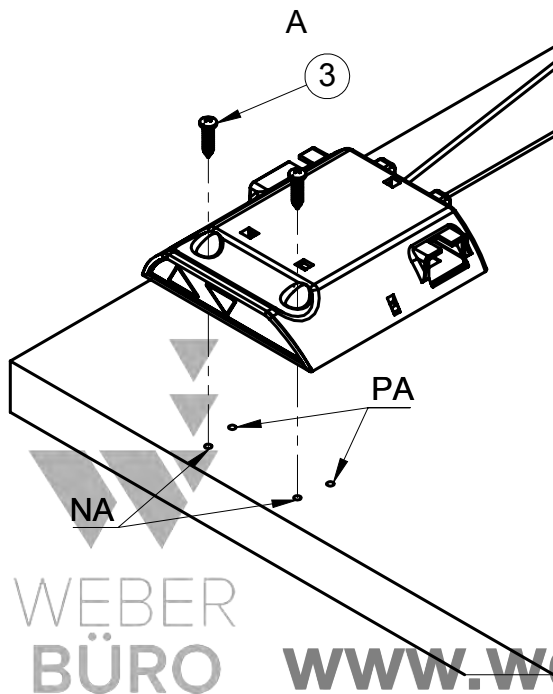
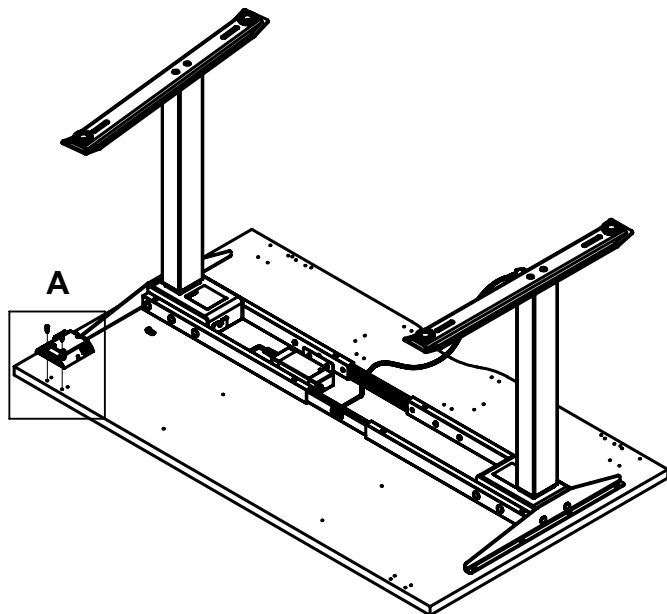


\* Power cable depends on  
the region socket type

\* From G6F394 package

WEBER  
BÜRO

[www.weberbuero.de](http://www.weberbuero.de)



1. Column cable
2. Column cable
3. Power cable for controlbox
4. Main power cable