

M60EN090

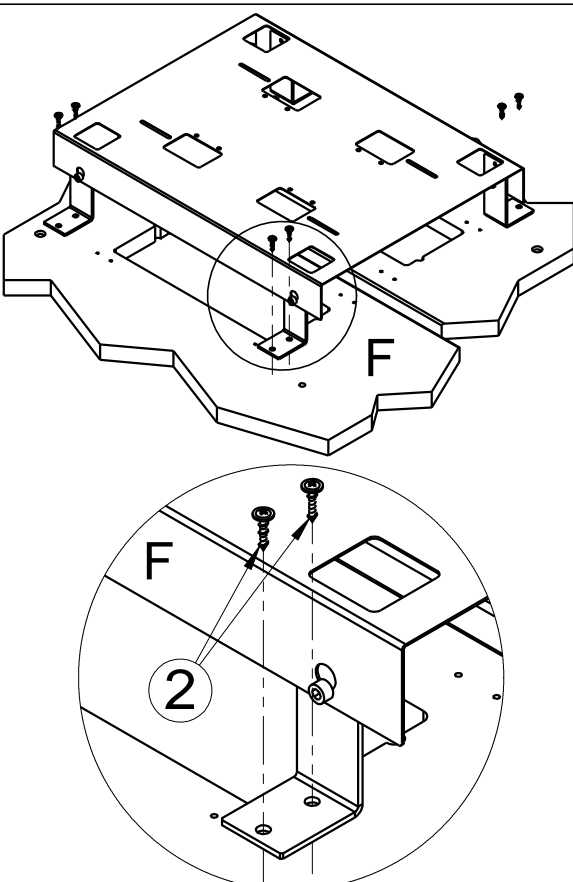
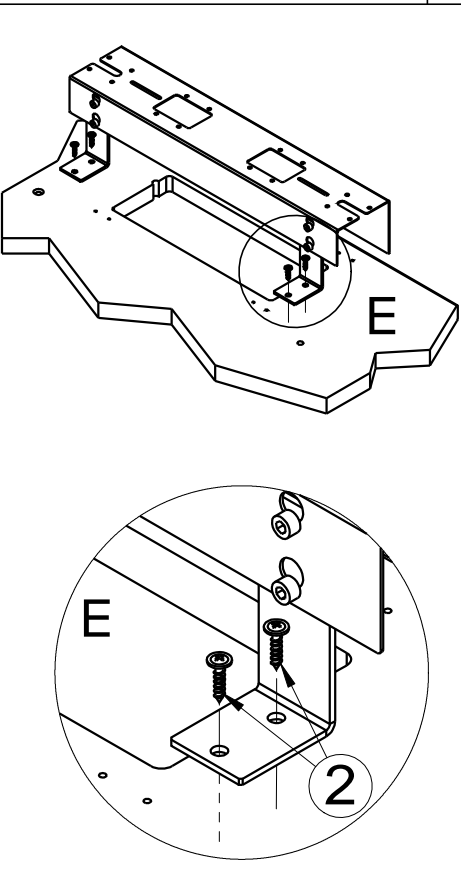
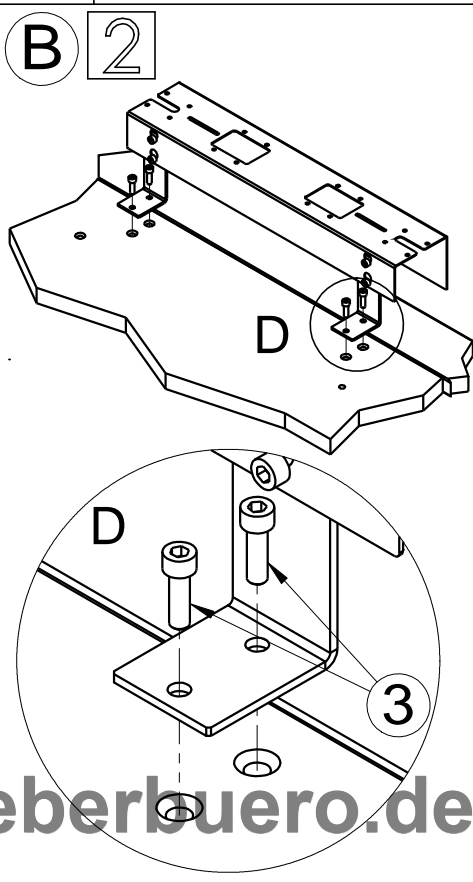
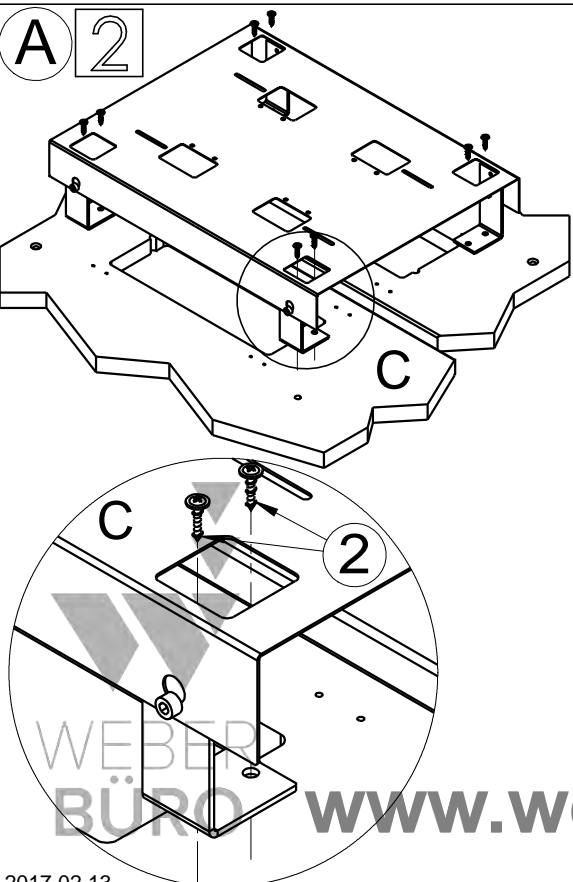
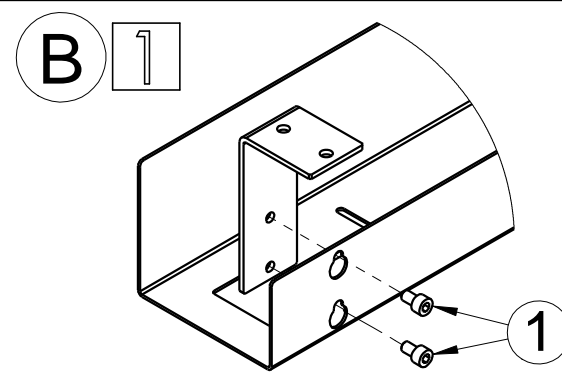
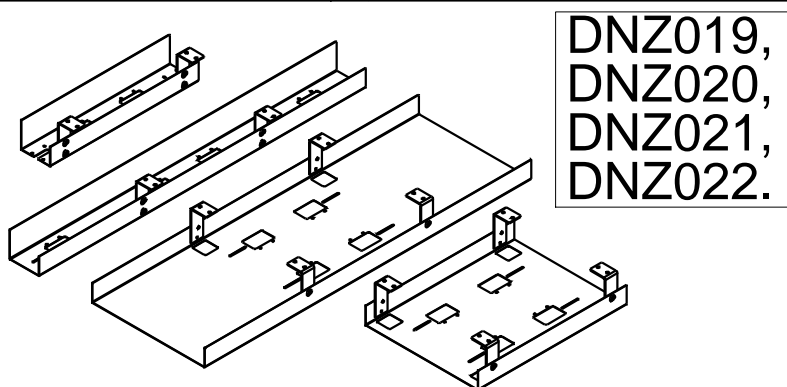
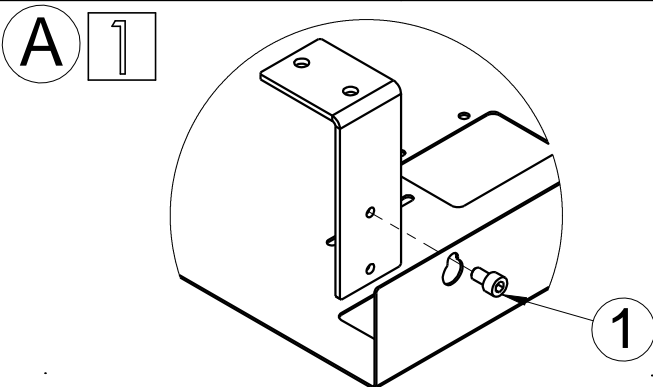
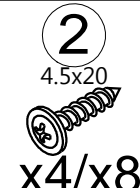
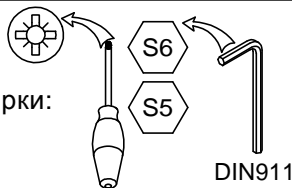
1/1

Surinkimo schema  
Схема сборки  
Assembling scheme

Reikalingi įrankiai:

Инструменты для сборки:

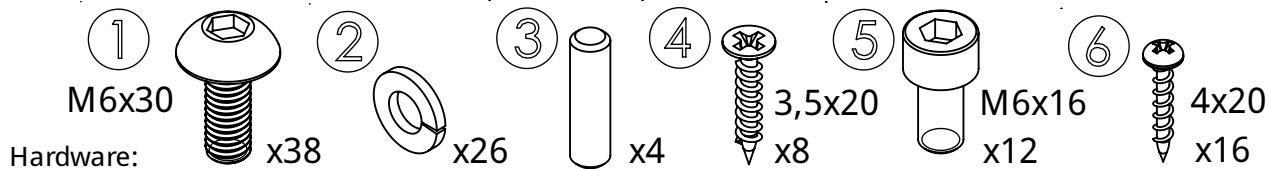
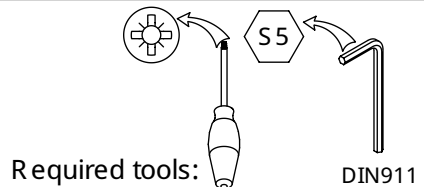
Requiring tools:



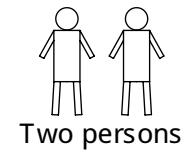
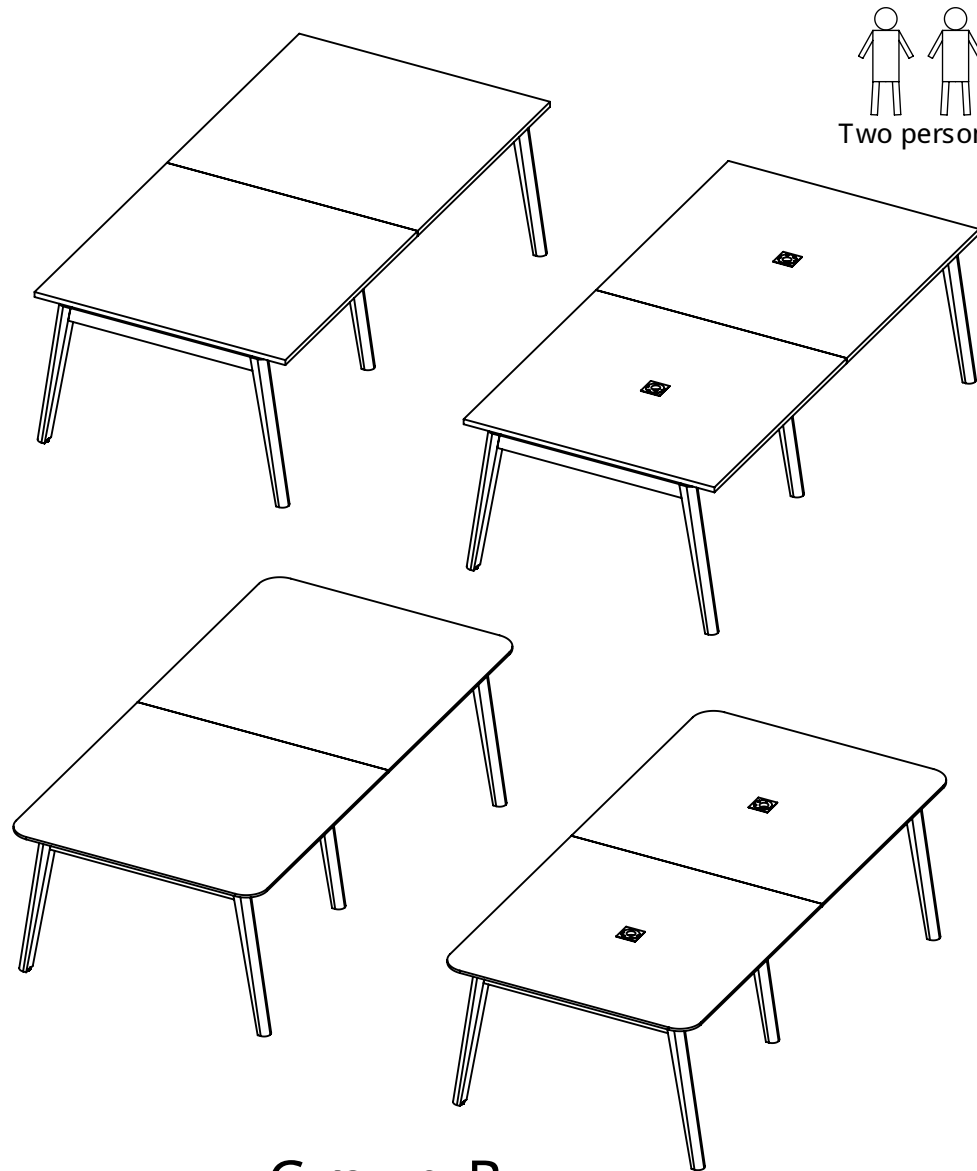
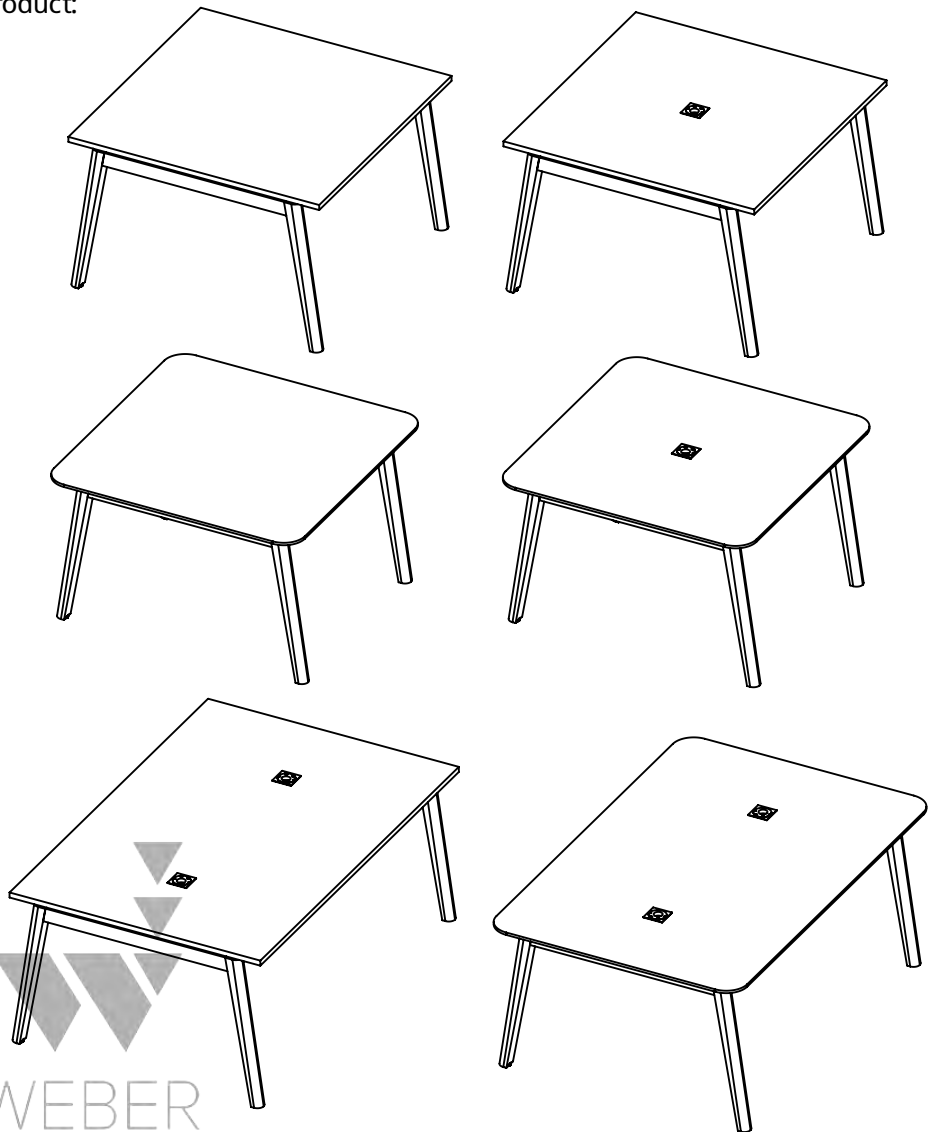
WEBER  
BÜRO [www.weberbuero.de](http://www.weberbuero.de)

M60EN315 1 / 9

Assembling scheme



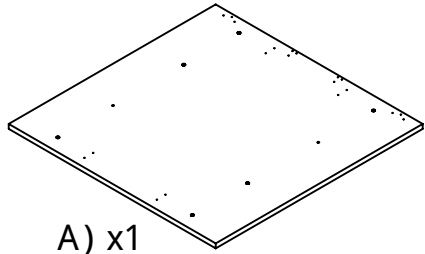
Product:



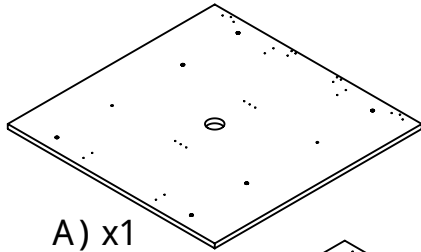
WEBER  
BÜRO

Group A [www.weberbuero.de](http://www.weberbuero.de)

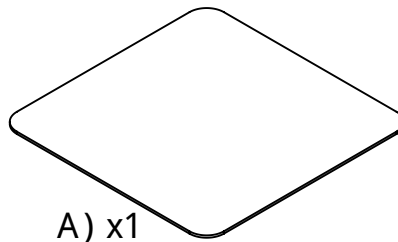
Group B



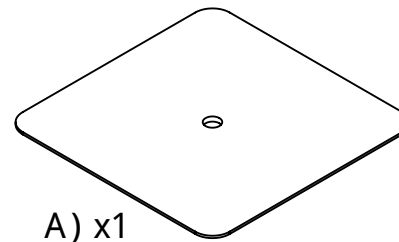
A) x1  
B) x2



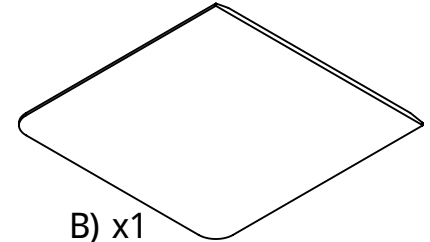
A) x1  
B) x2



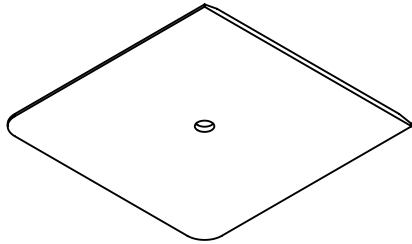
A) x1



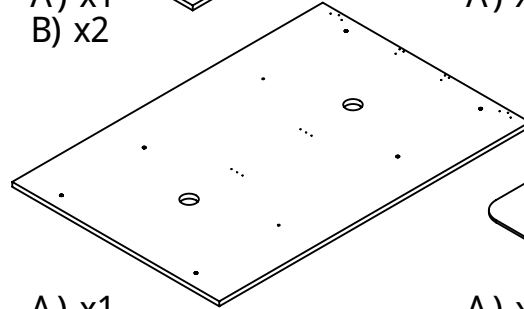
A) x1



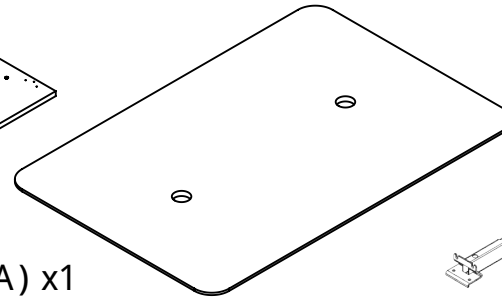
B) x1



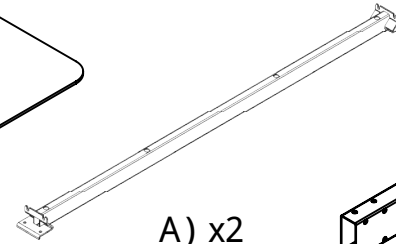
B) x2



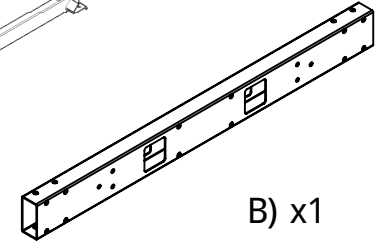
A) x1



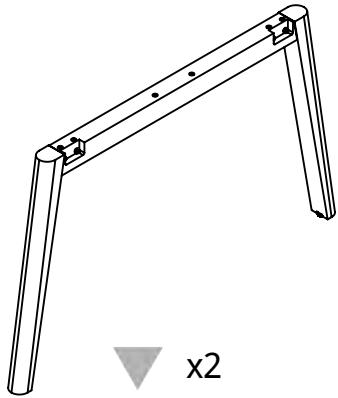
A) x1



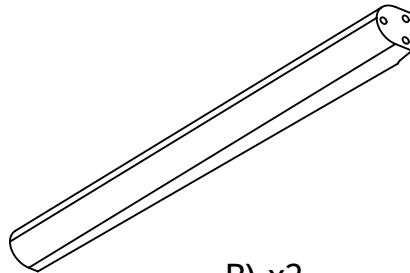
A) x2  
B) x4



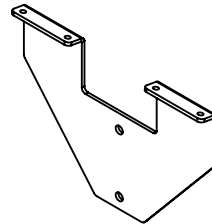
B) x1



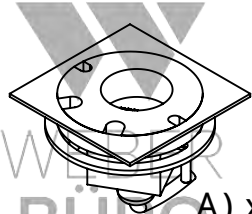
x2



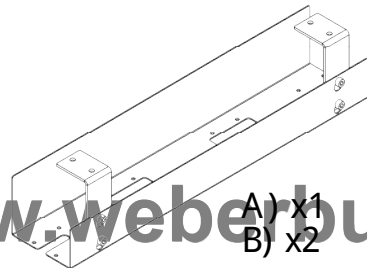
B) x2



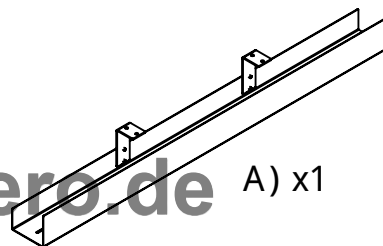
B) x2



A) x1/x2  
B) x2

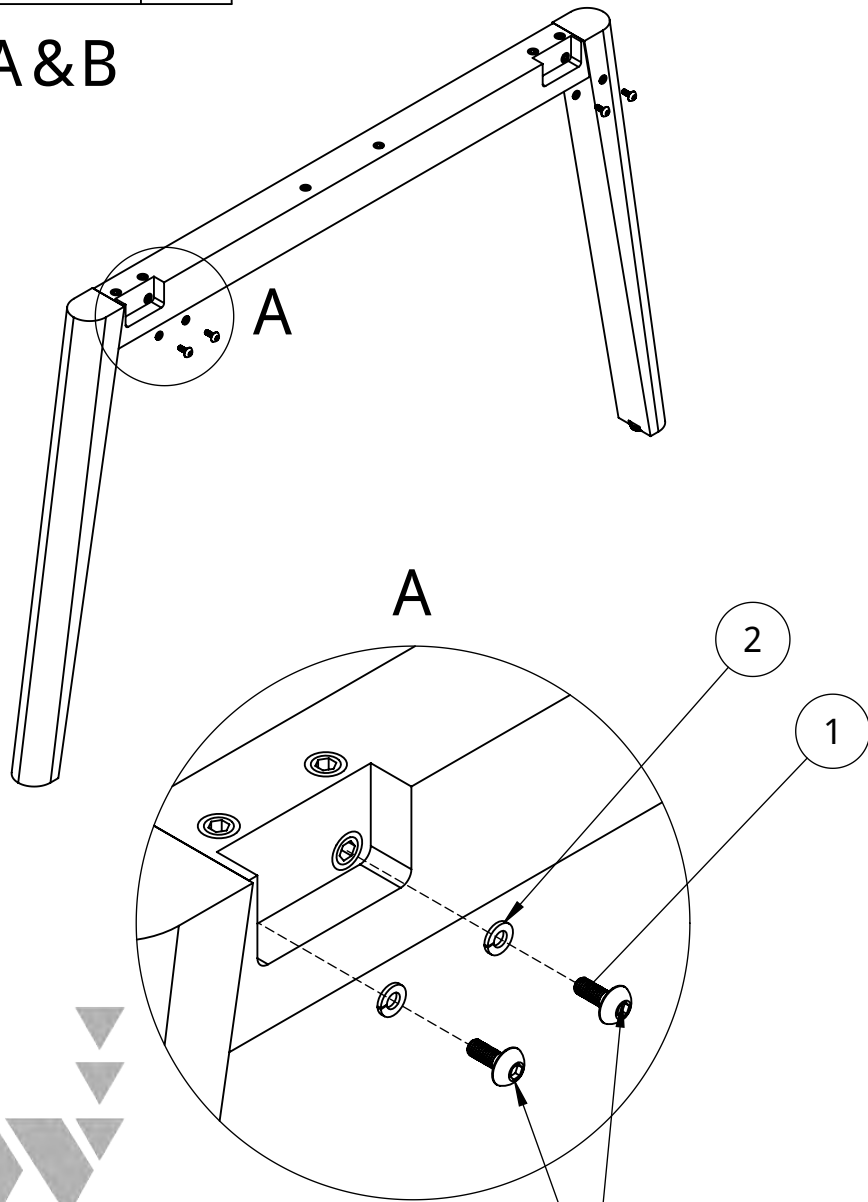


A) x1  
B) x2

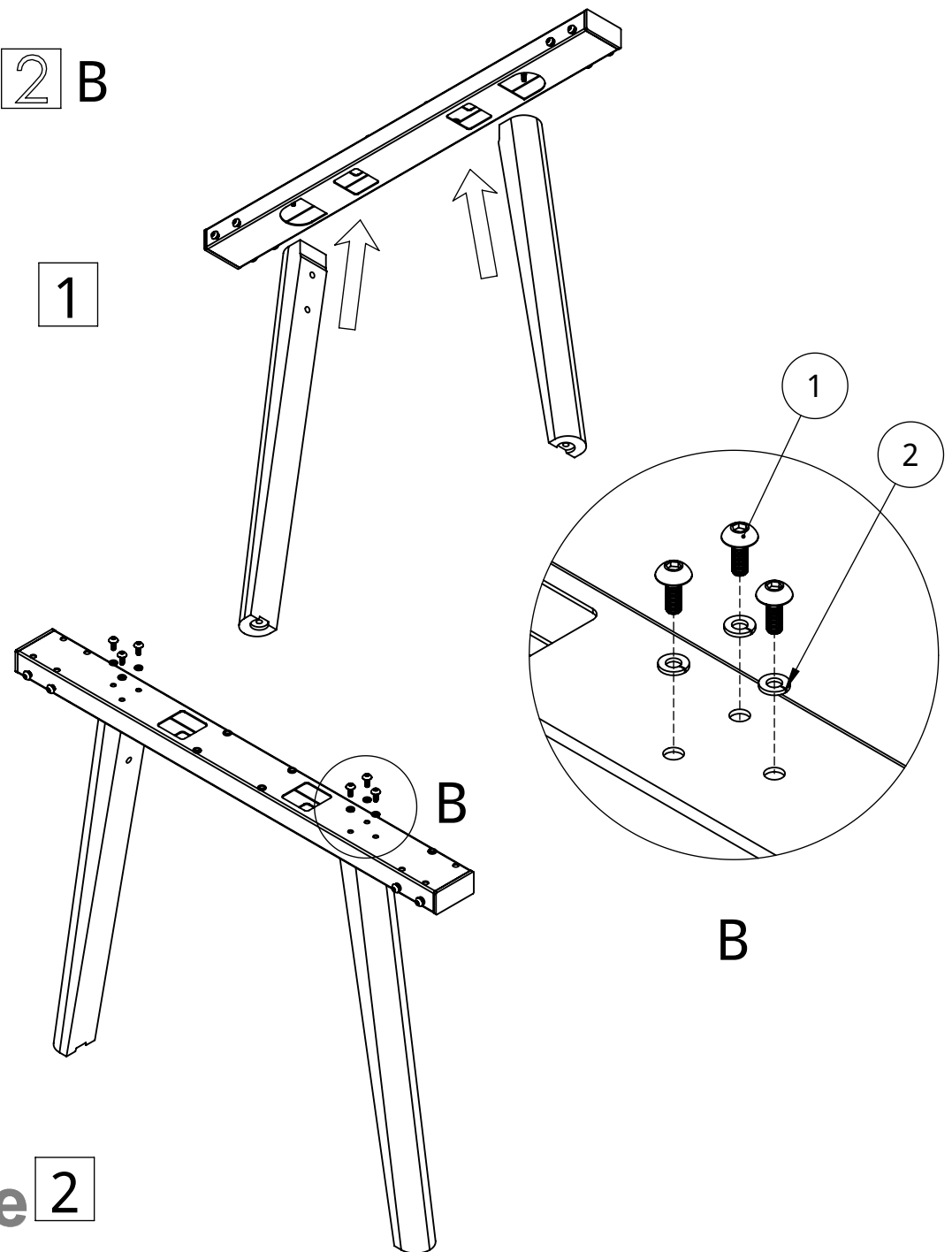


A) x1

1 A&B

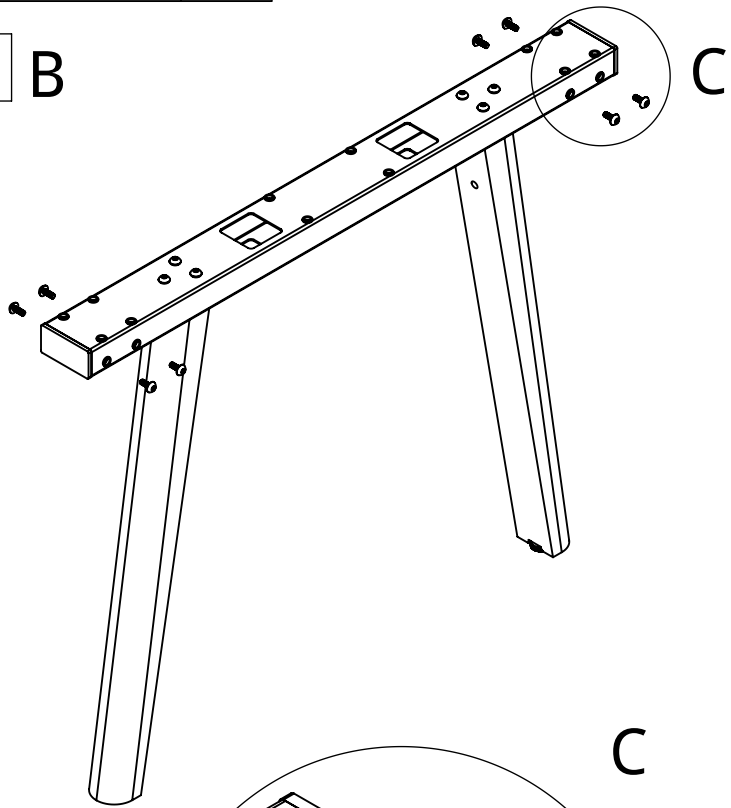


2 B

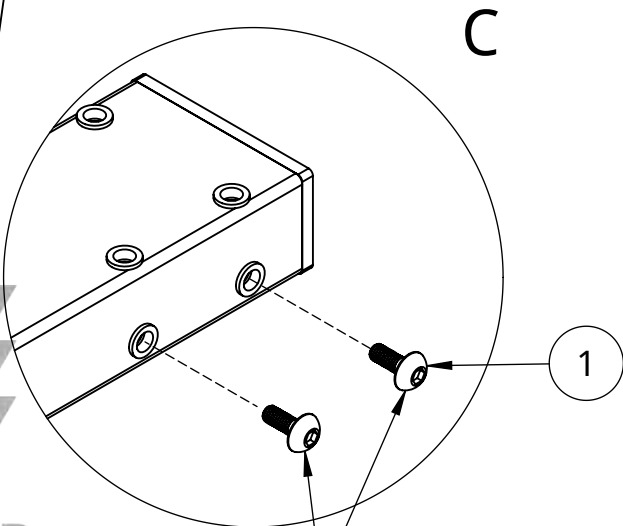


3

B



C



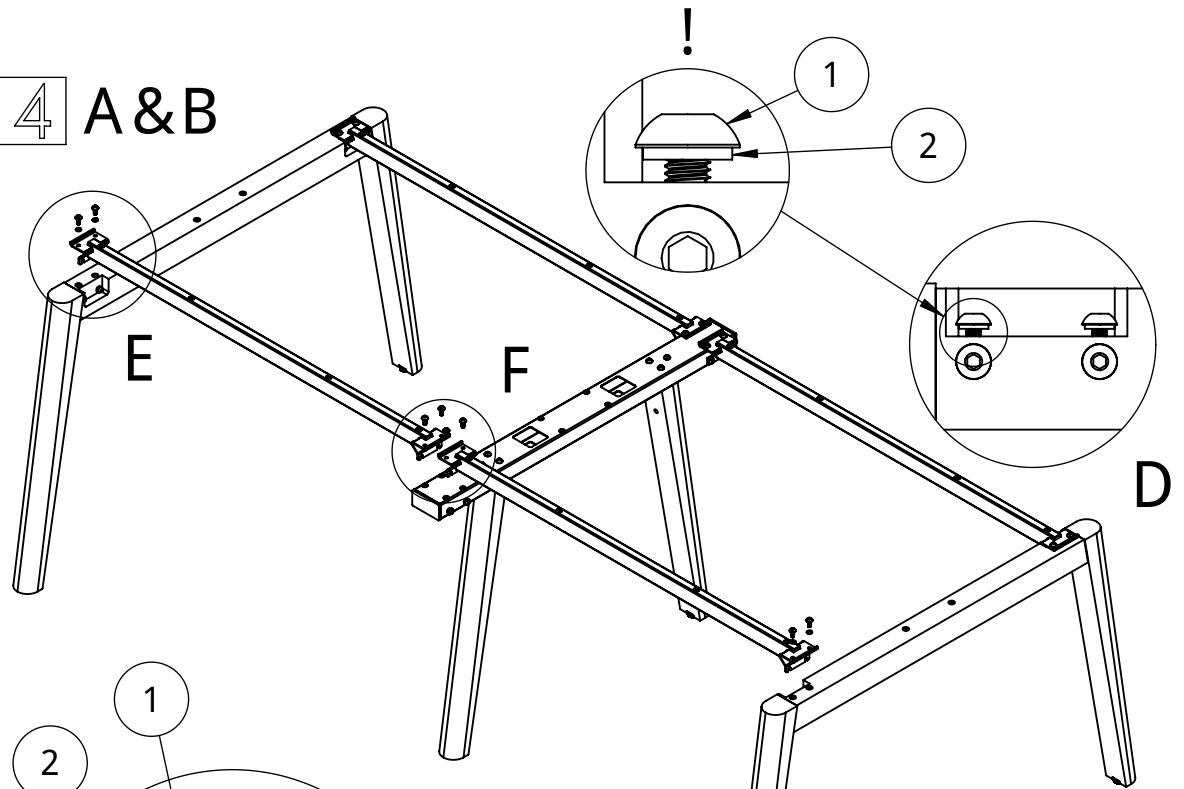
C

1

Do not tighten up

4

A&B



E

F

D

1

2

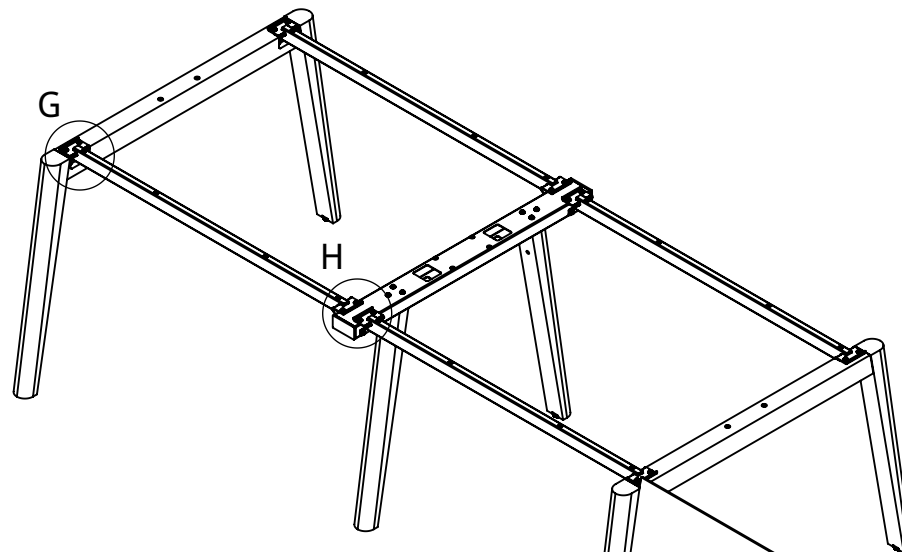
E

1

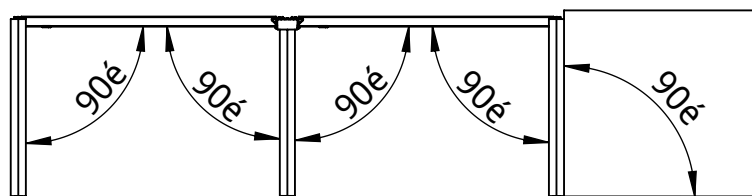
Do not tighten up

F

5 A&B

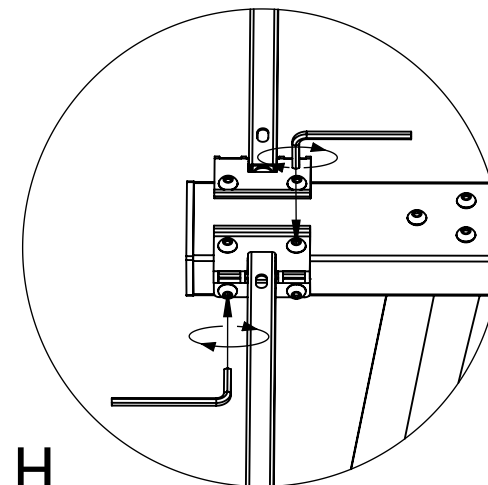
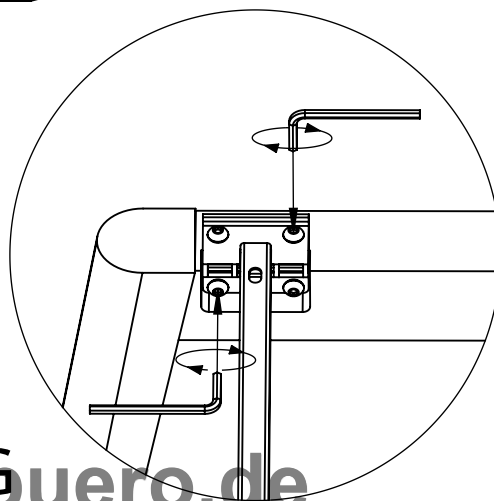


1

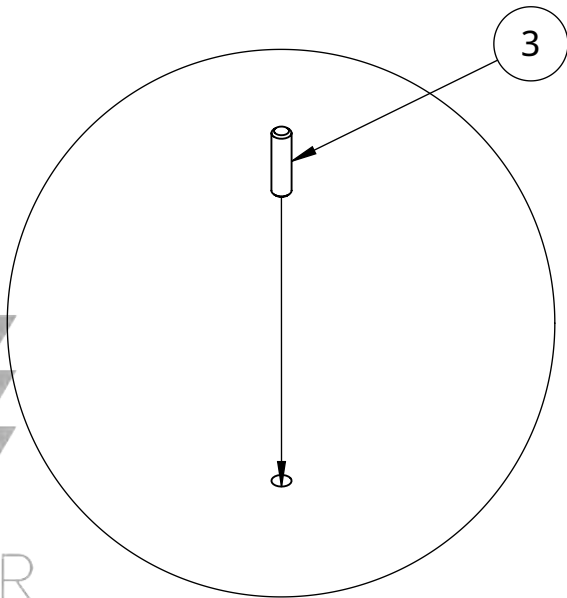
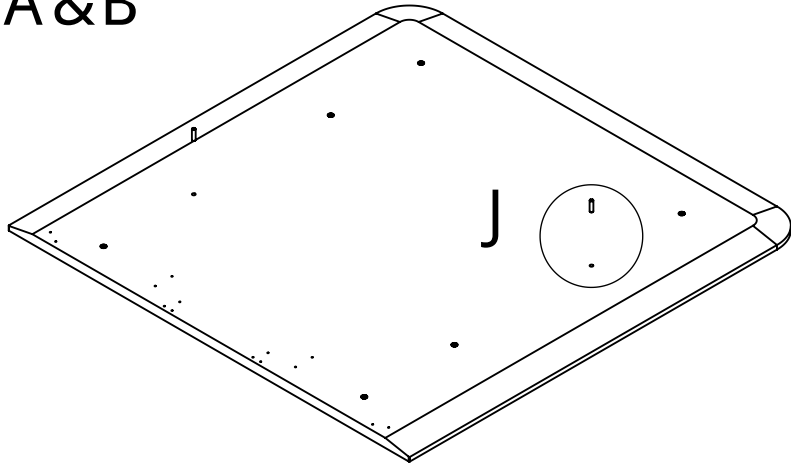


Desktop packaging cardboard

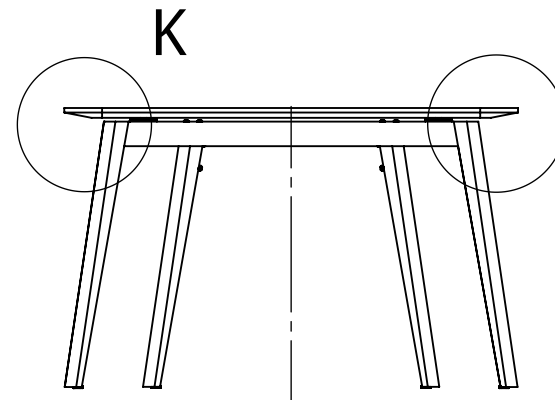
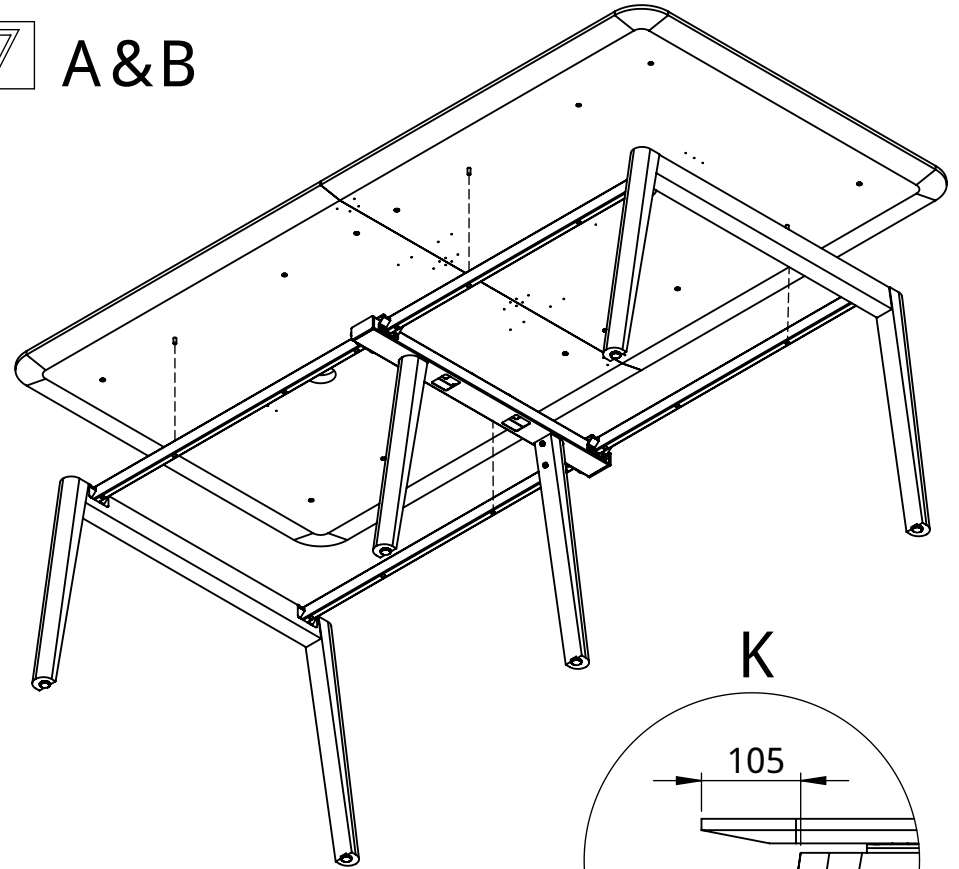
2 Tighten up



6 A&B

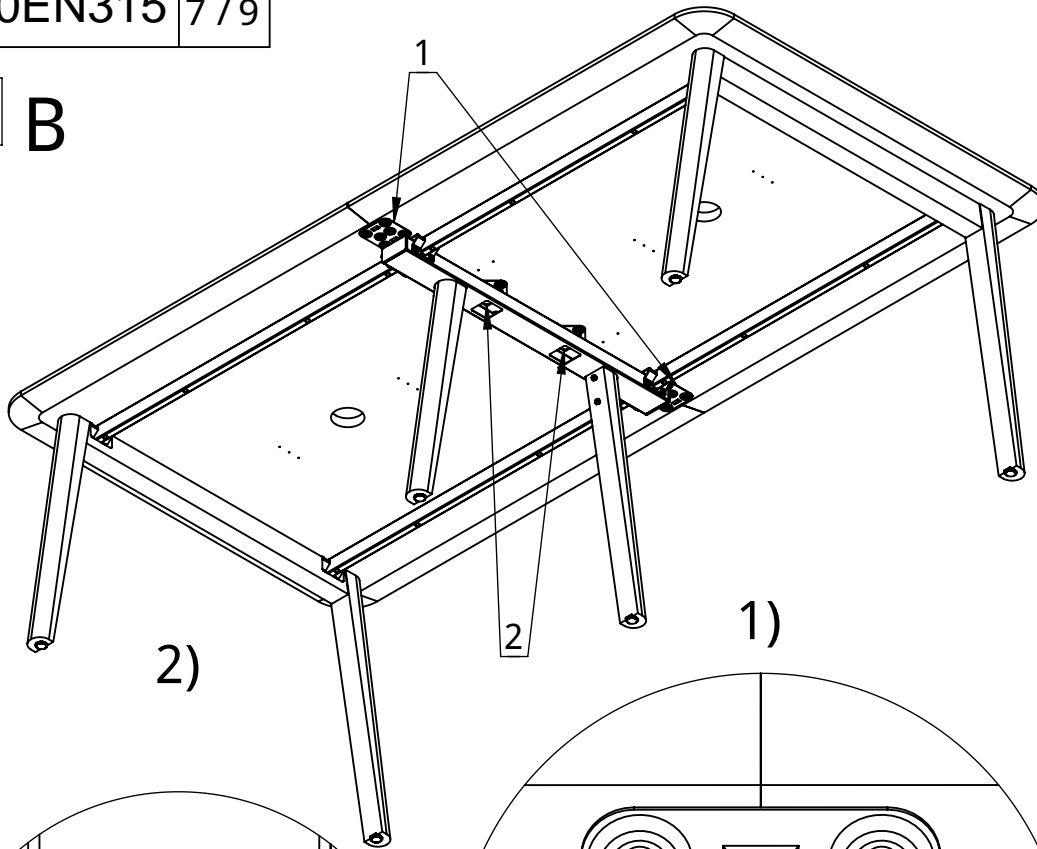


7 A&B



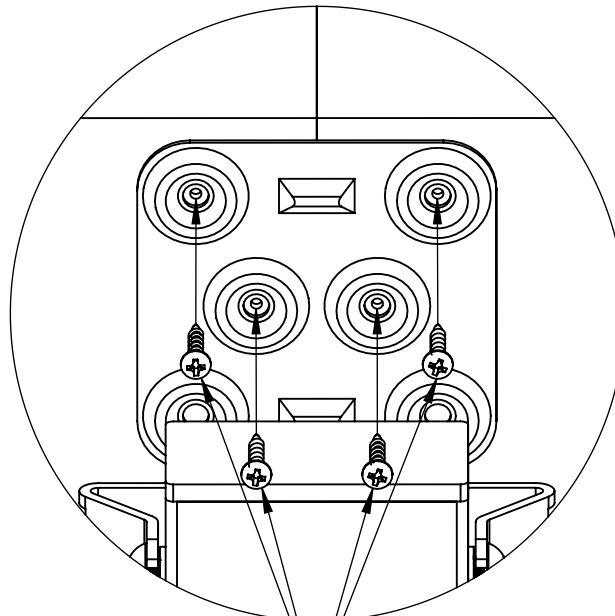
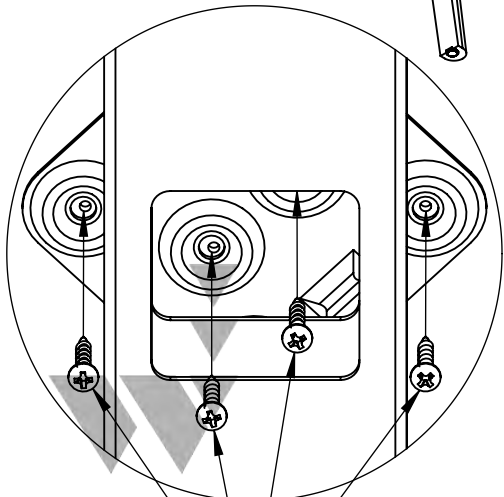


B



2)

1)

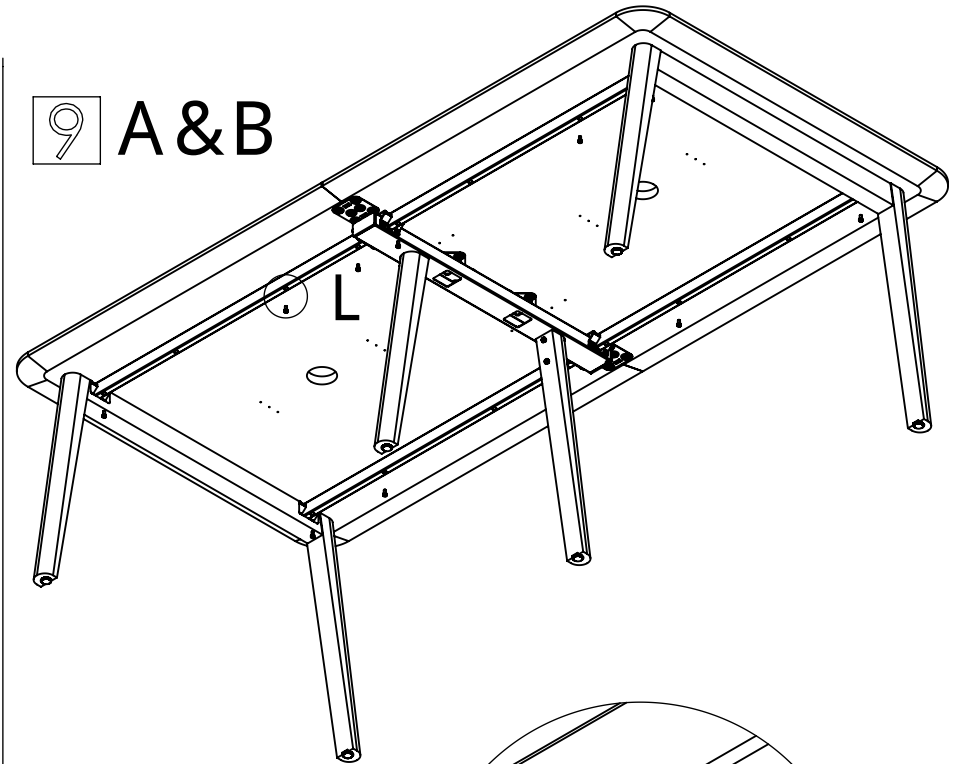


6

6

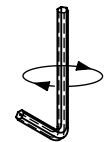
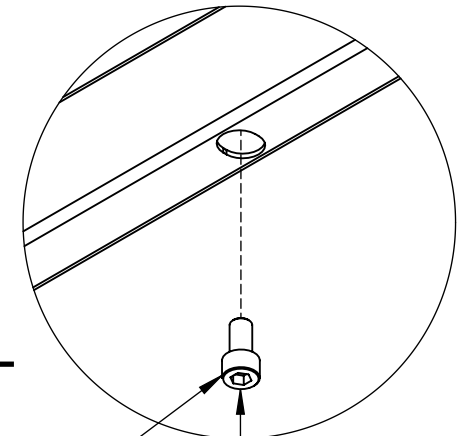


A&B



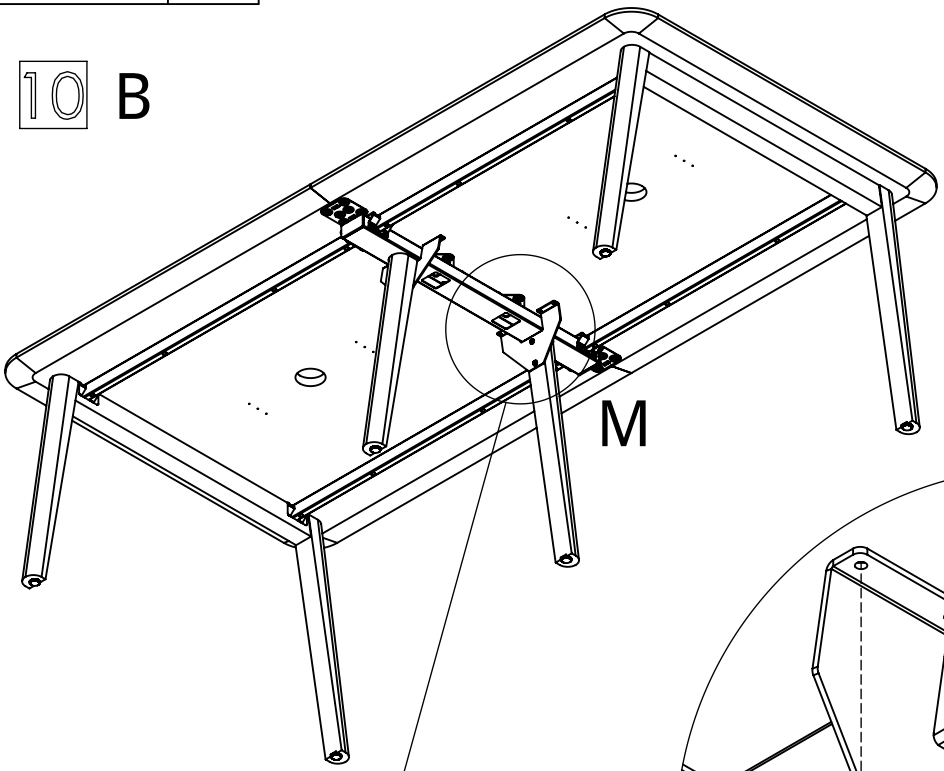
L

5

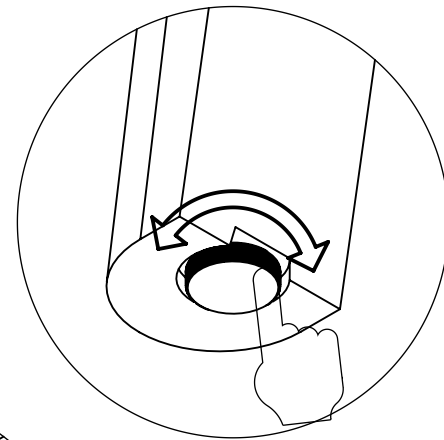




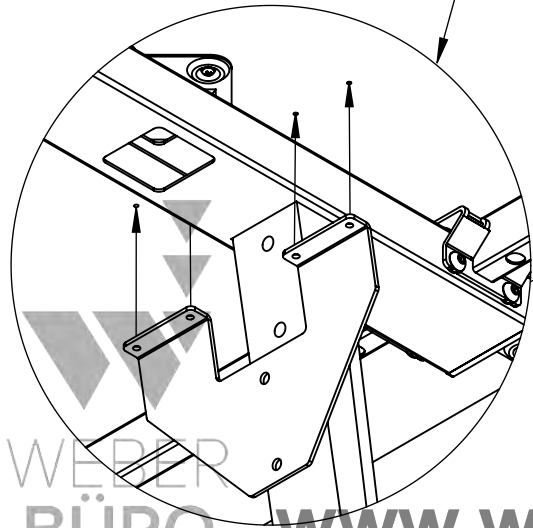
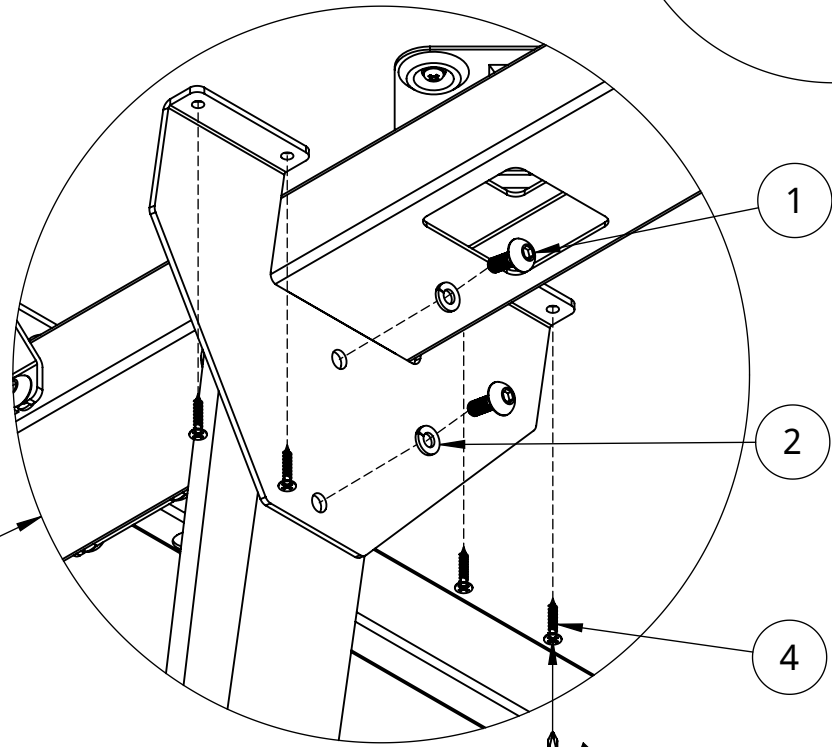
10 B



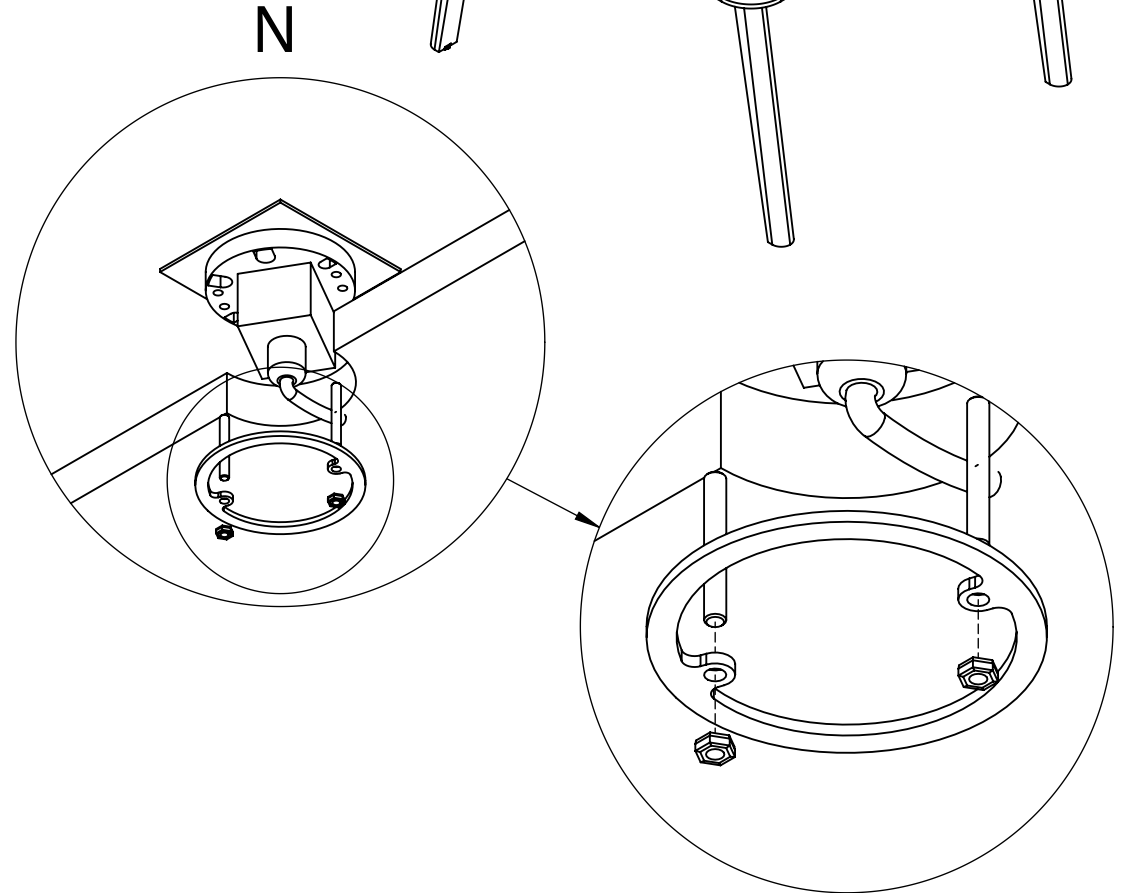
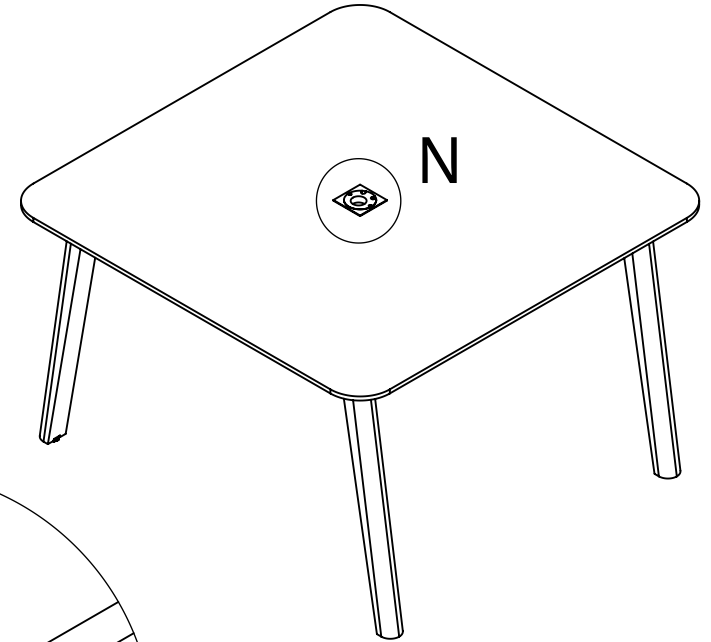
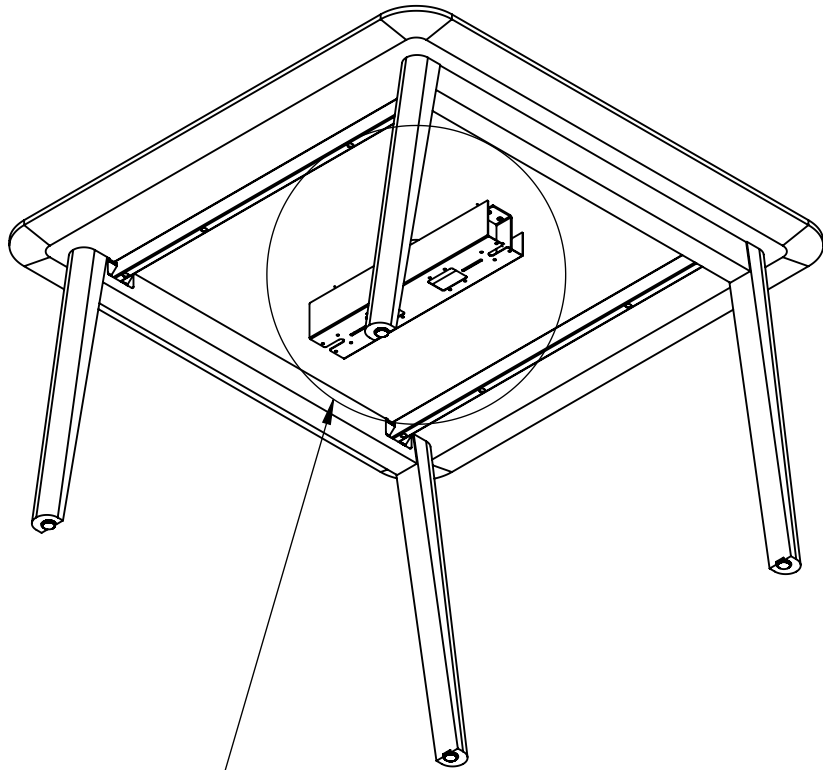
Adjust table height



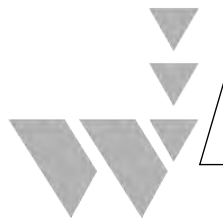
+10mm



11



For cable tray assembling, look at assembling scheme provided with cable tray

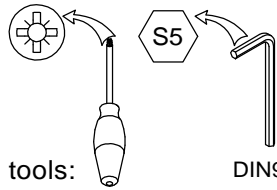


WEBER  
BÜRO

[www.weberbuero.de](http://www.weberbuero.de)

M60EN316

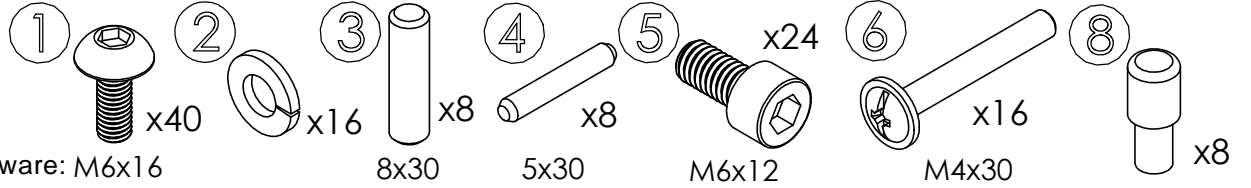
1 / 7



Required tools:

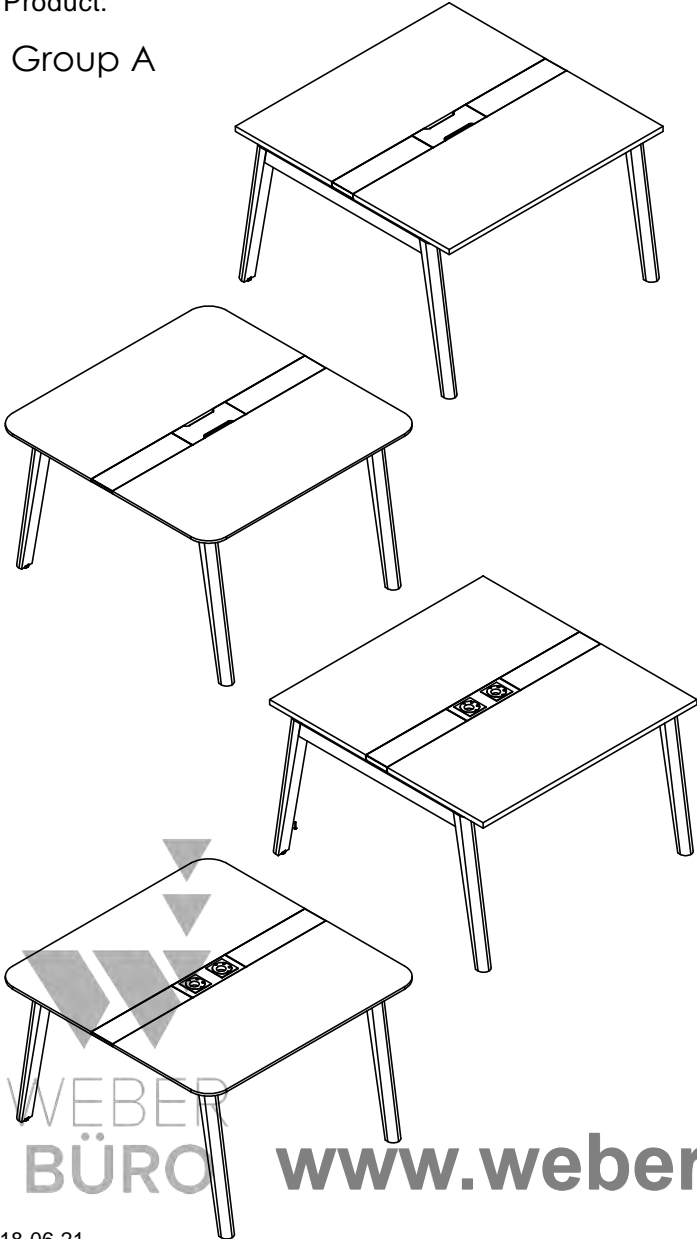
DIN911

Hardware: M6x16

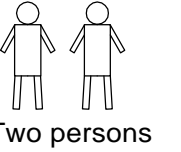
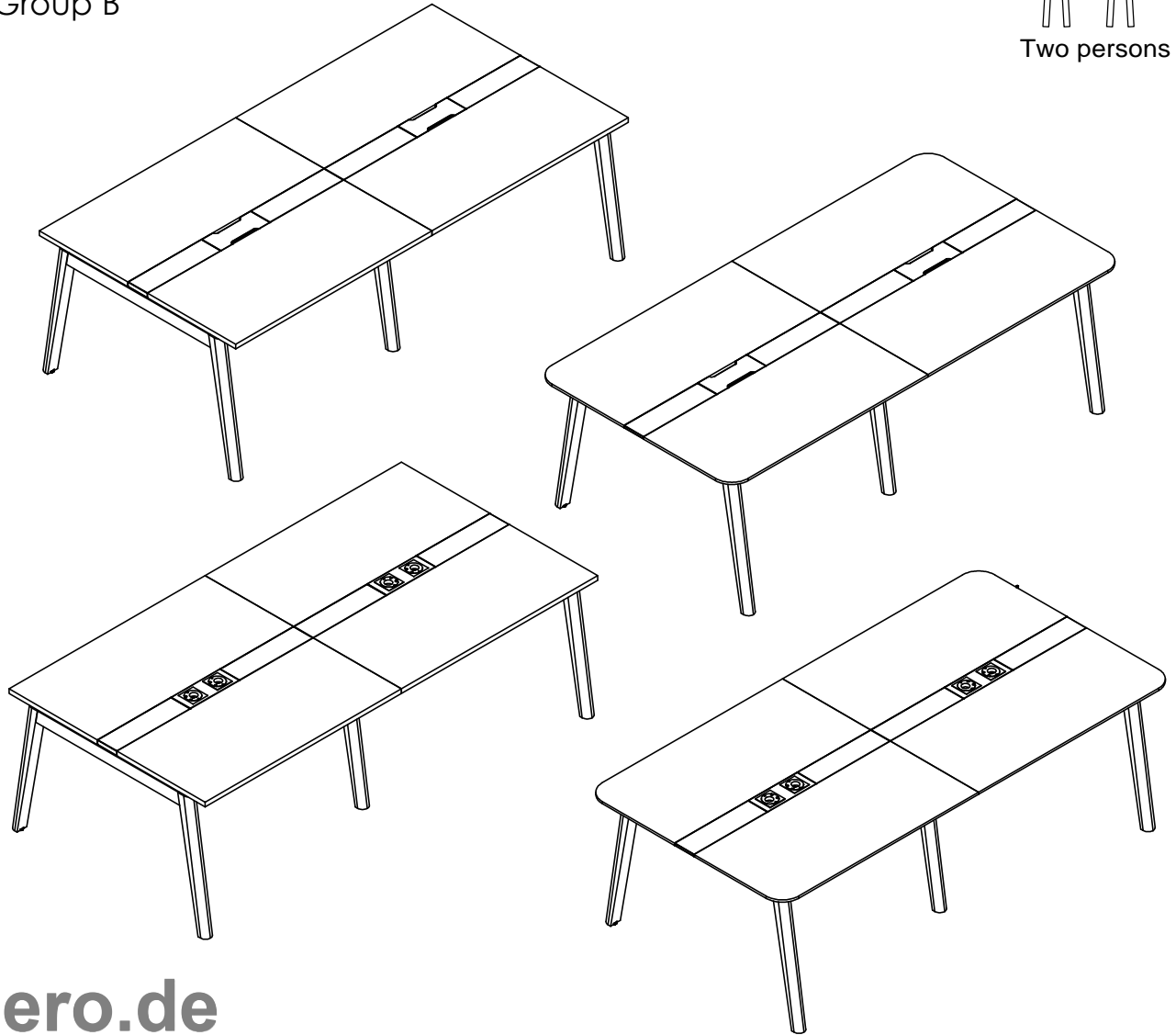


Product:

Group A



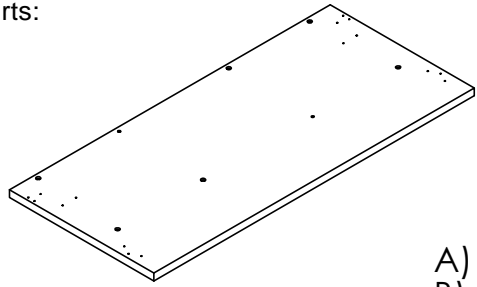
Group B



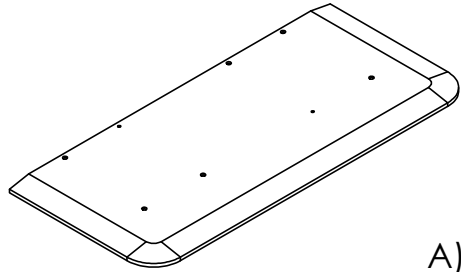
WEBER  
BÜRO

[www.weberbuero.de](http://www.weberbuero.de)

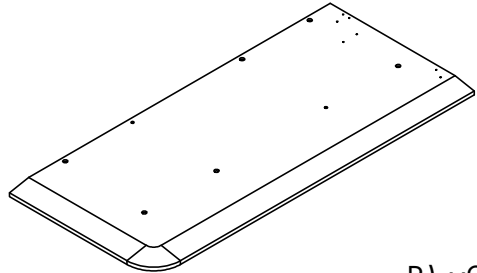
Parts:



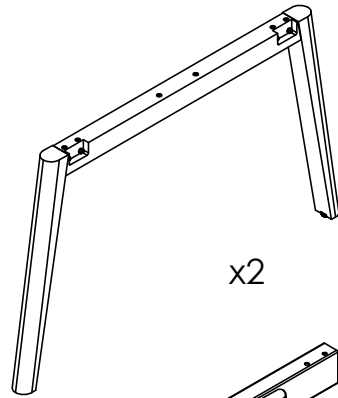
A) x2  
B) x4



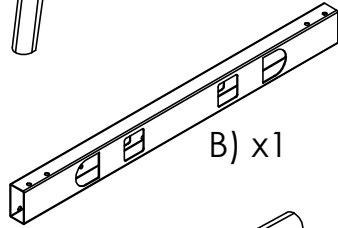
A) x2



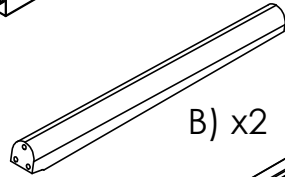
B) x2



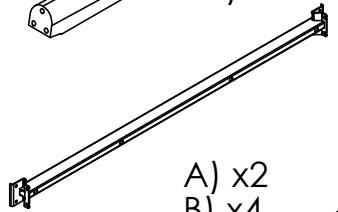
x2



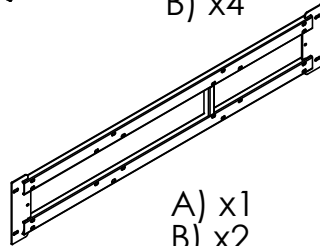
B) x1



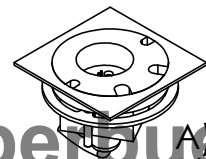
B) x2



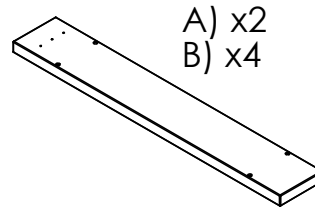
A) x2  
B) x4



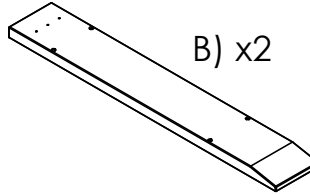
A) x1  
B) x2



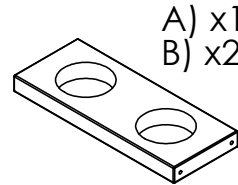
A) x1  
B) x2



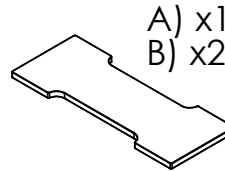
A) x2  
B) x4



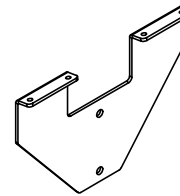
B) x2



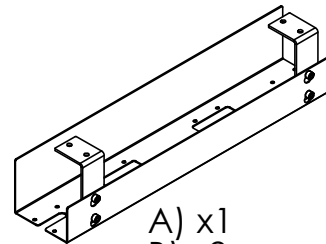
A) x1  
B) x2



A) x1  
B) x2



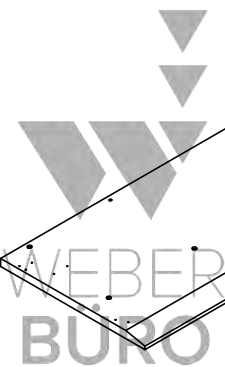
B) x2



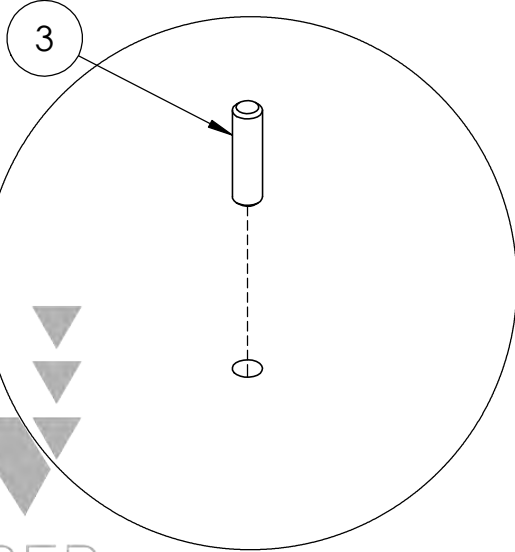
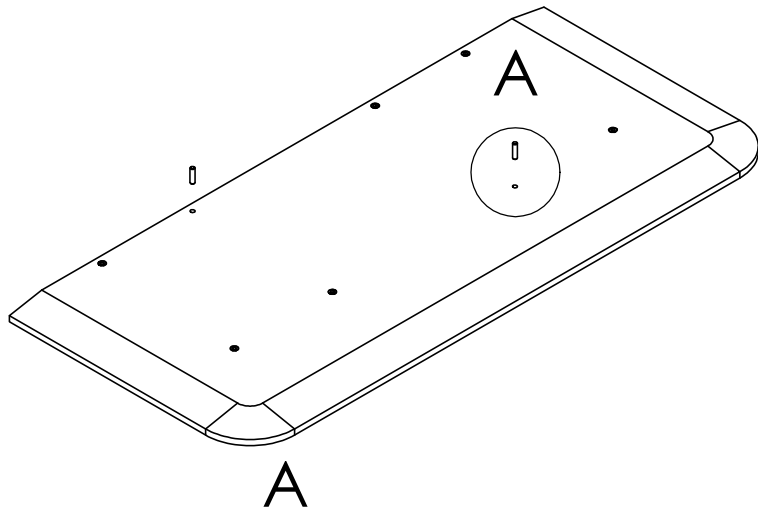
A) x1  
B) x2



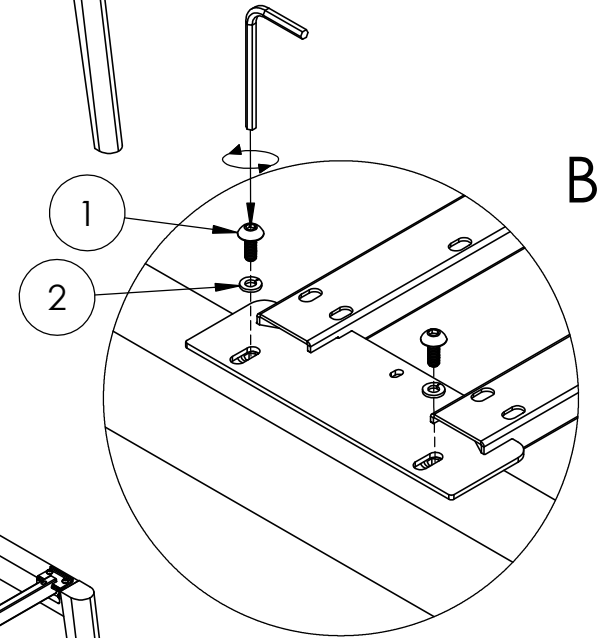
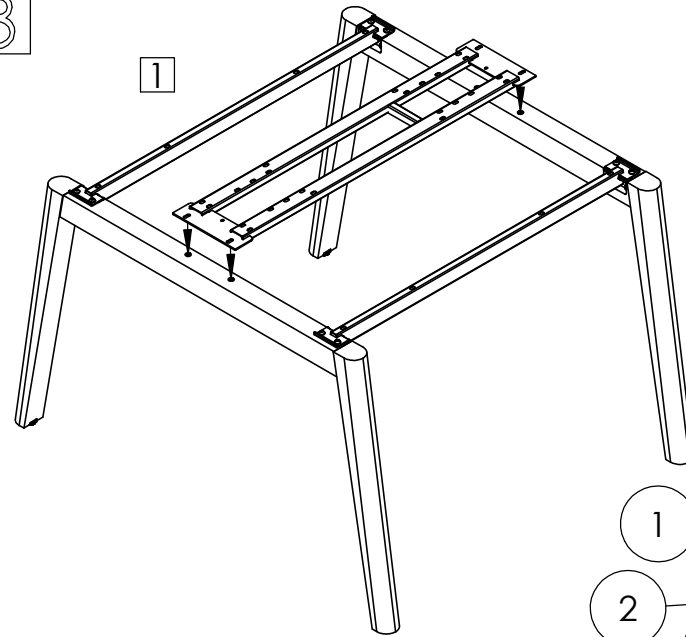
For legs assembling, look at assembling scheme M60EN289 page 3 and 4 (Group A and Group B seperated)



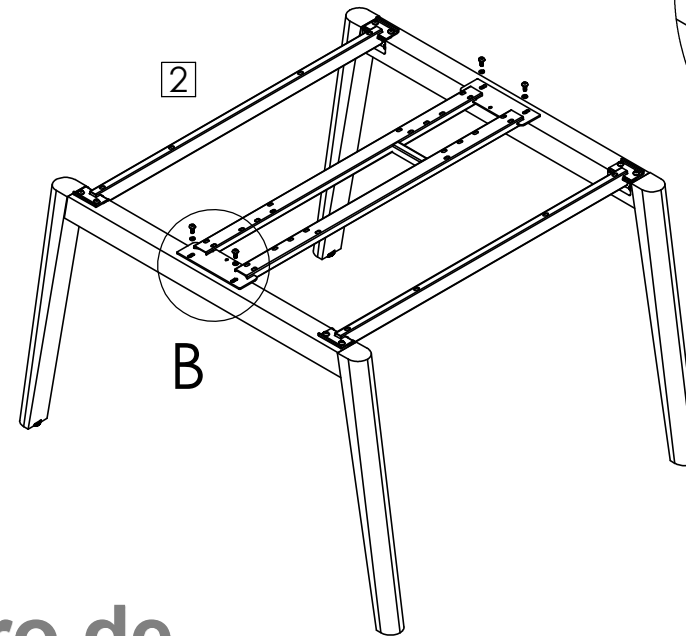
2



3

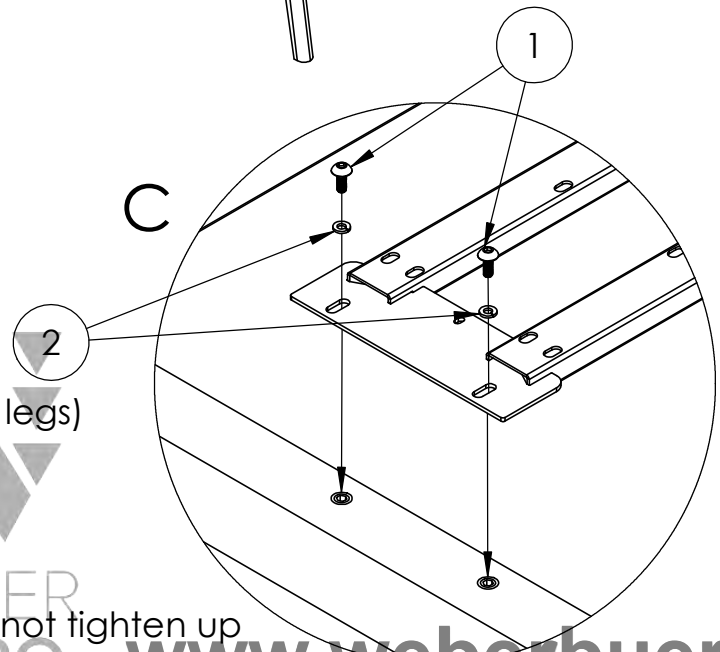
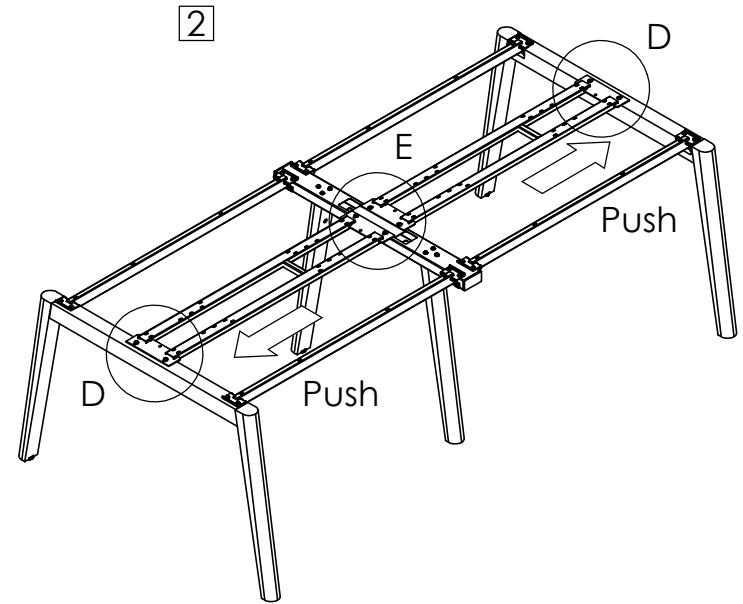
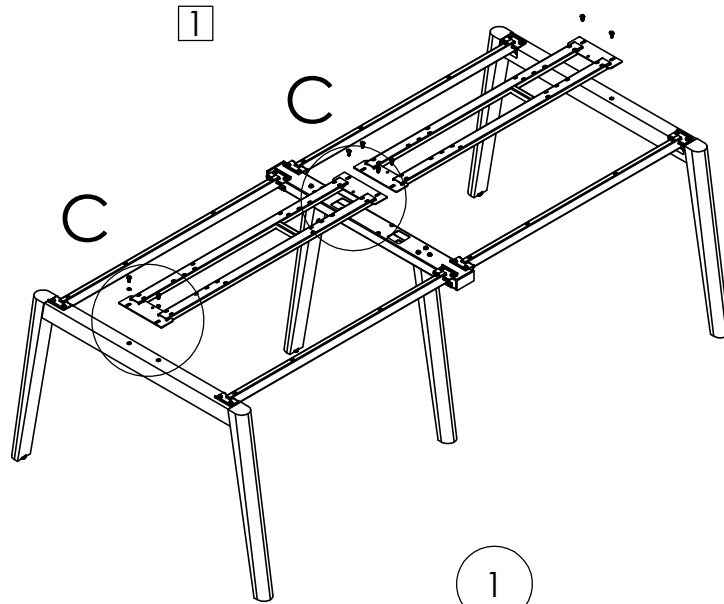


2

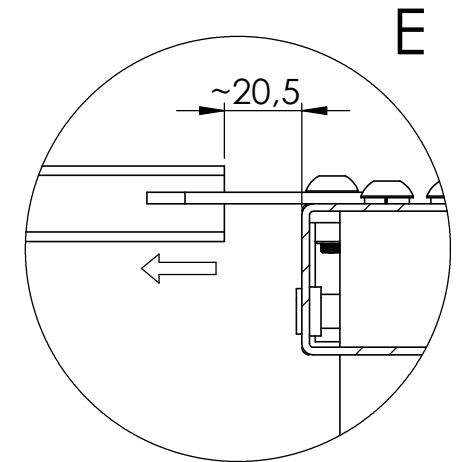
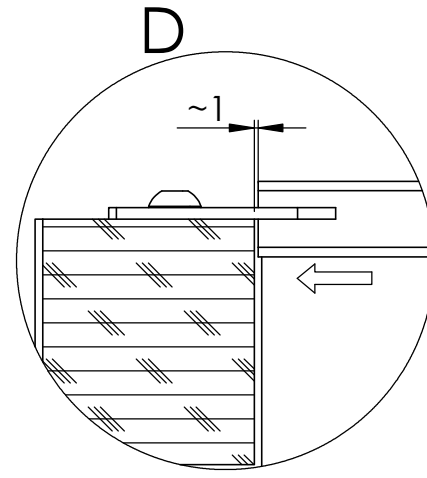


**IMPORTANT!**

At any bench combination (with central leg),  
always push middle frame to wooden leg when  
assembling

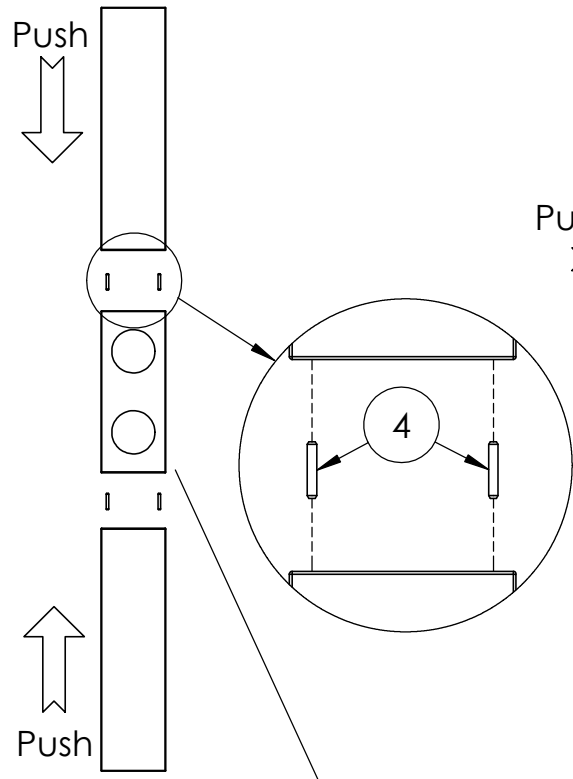
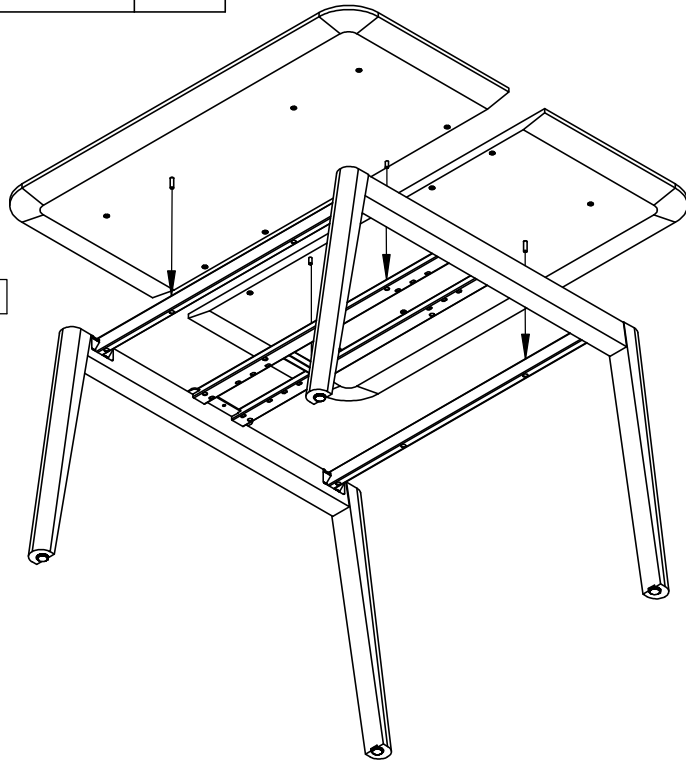


(Only on  
wooden legs)



4

1

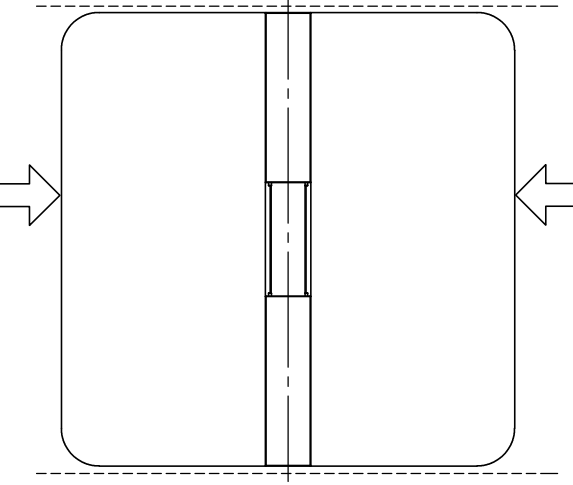


3

Set all edges in line

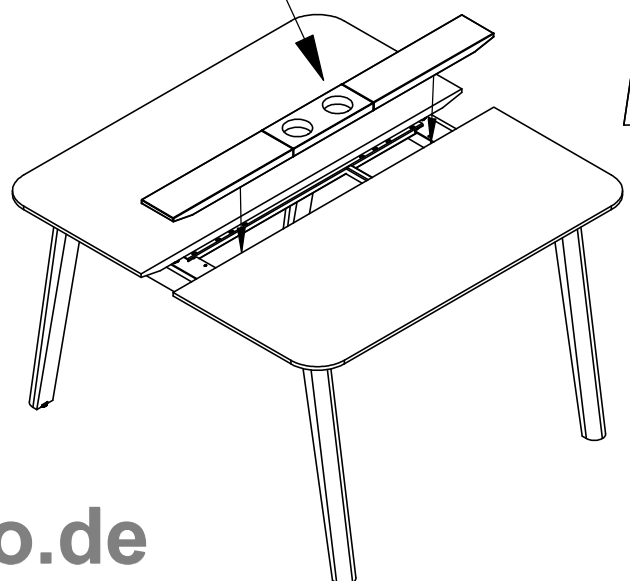
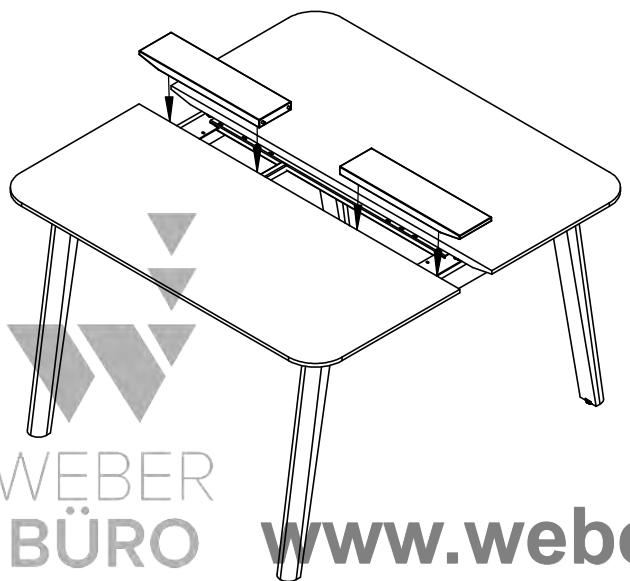
Push

Push



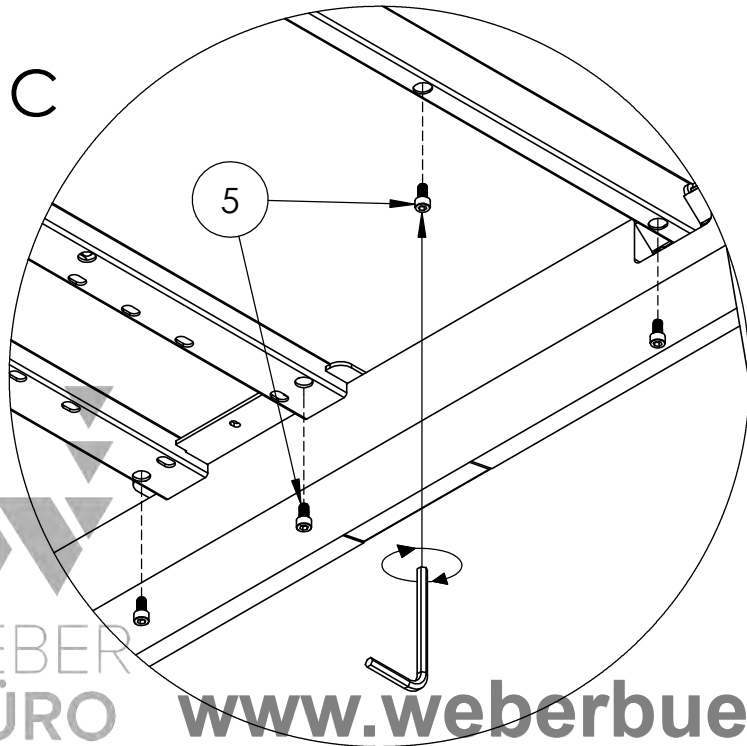
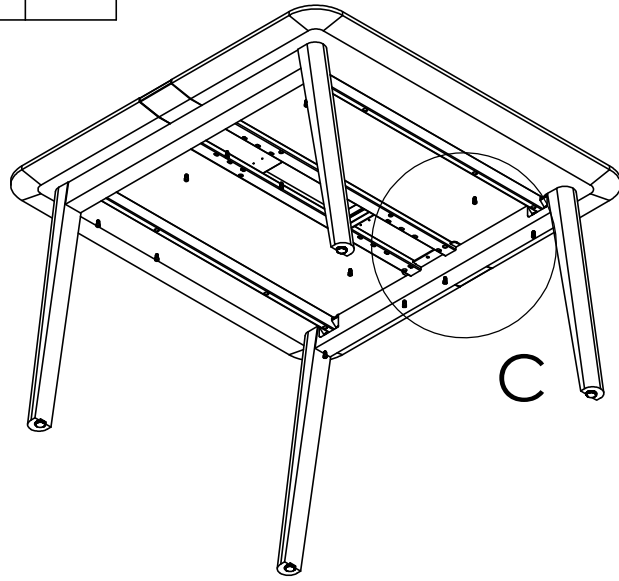
2

OR

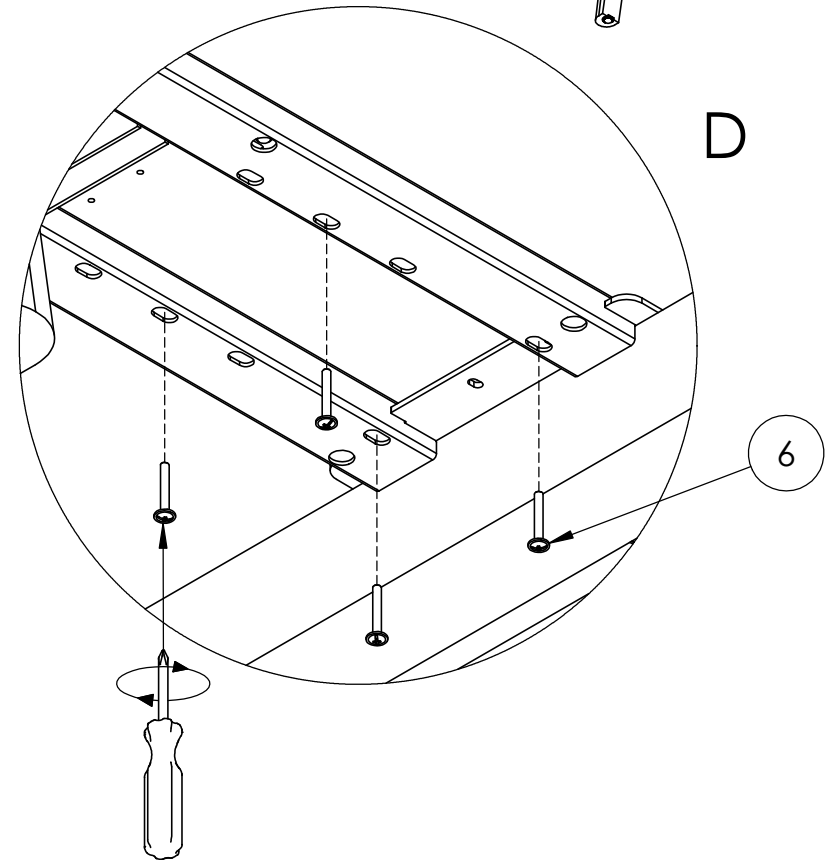
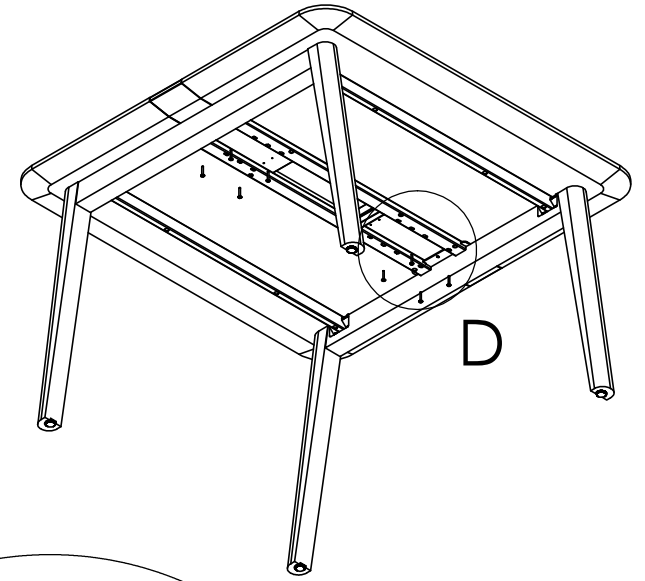


Center all desktop parts

5

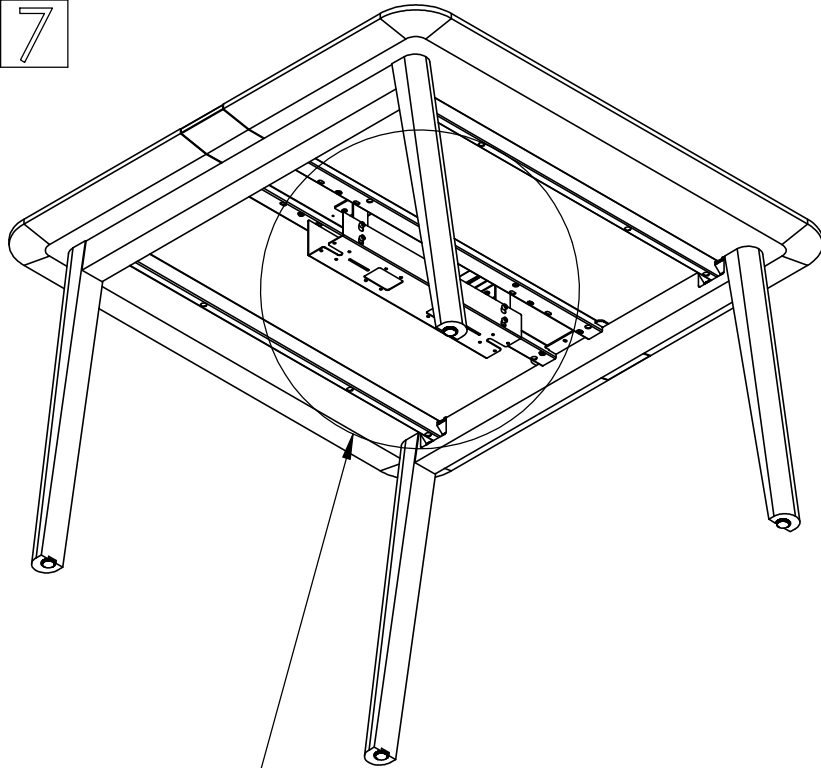


6

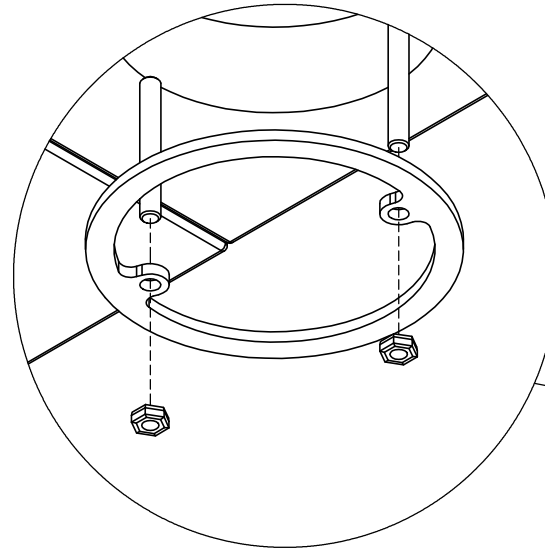




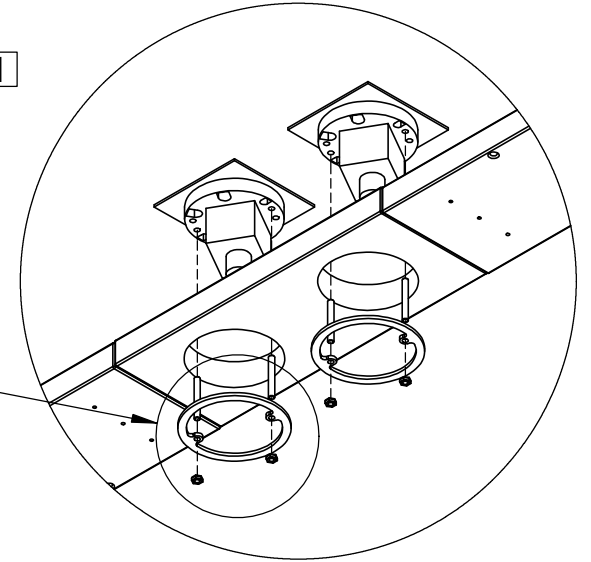
7



For cable tray assembling, look at assembling scheme provided with cable tray



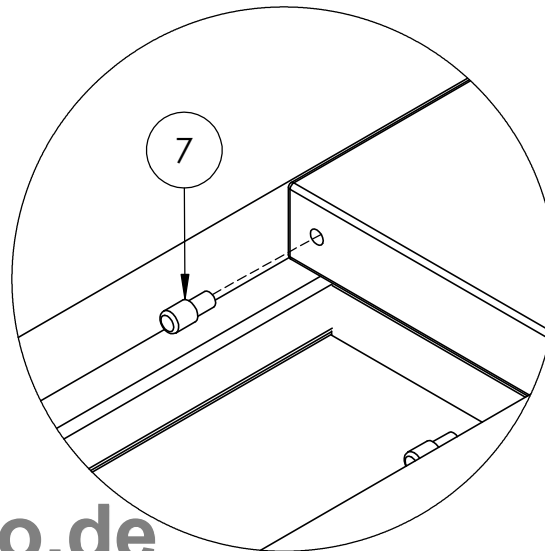
1



1 Cable tray assembling

OR

2 Cable tray assembling



2

