

# M60EN090

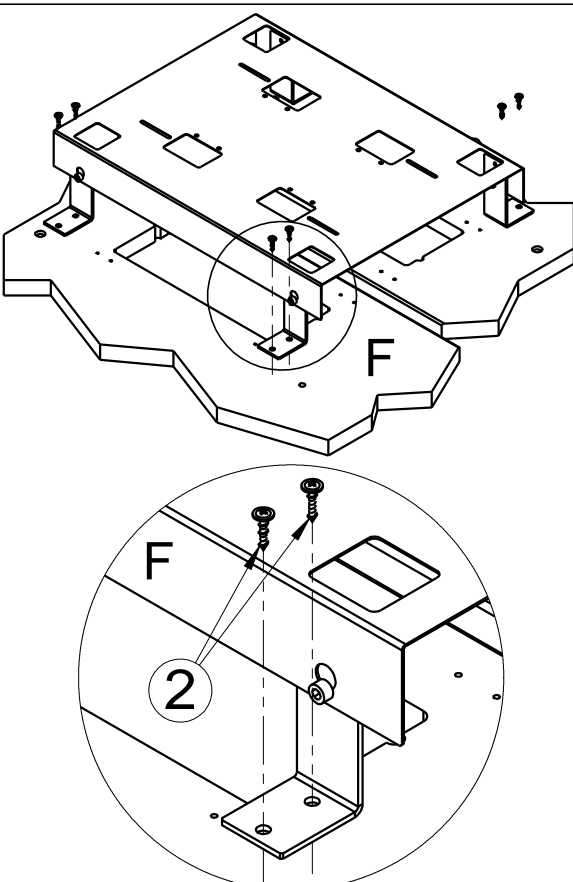
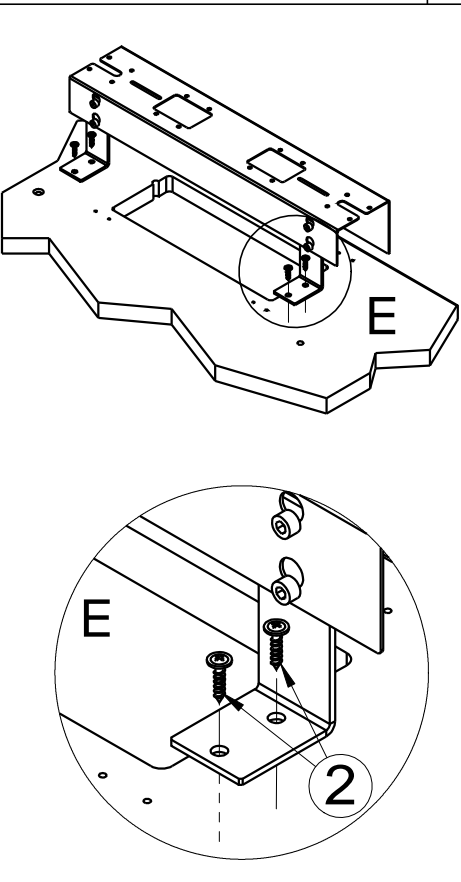
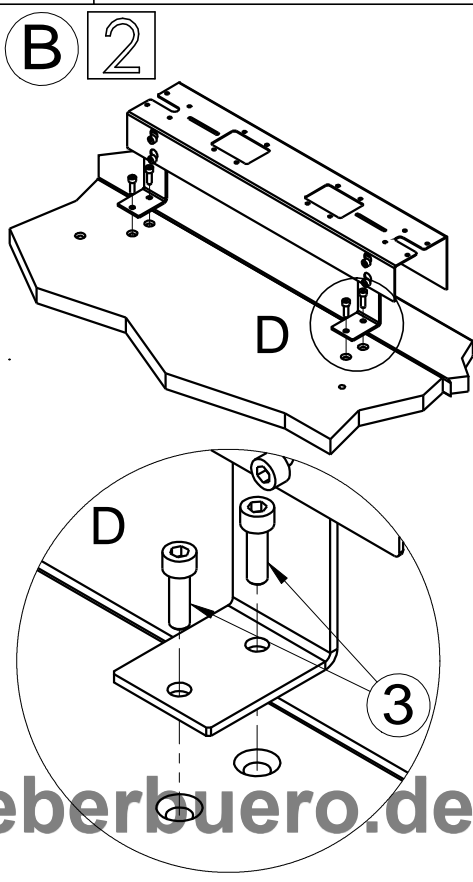
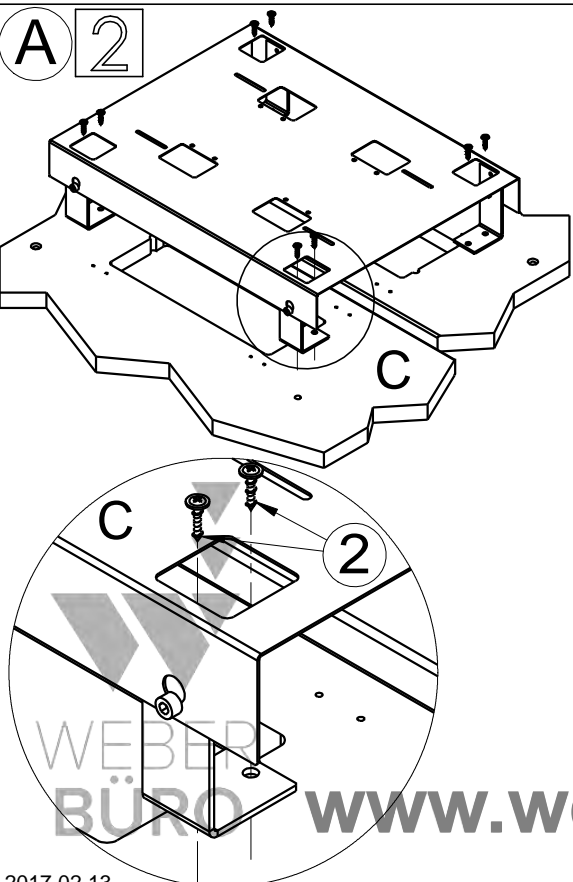
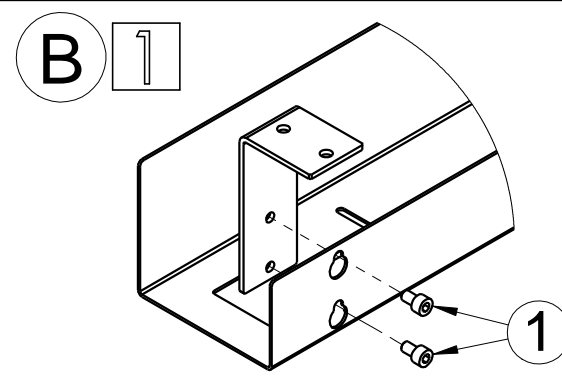
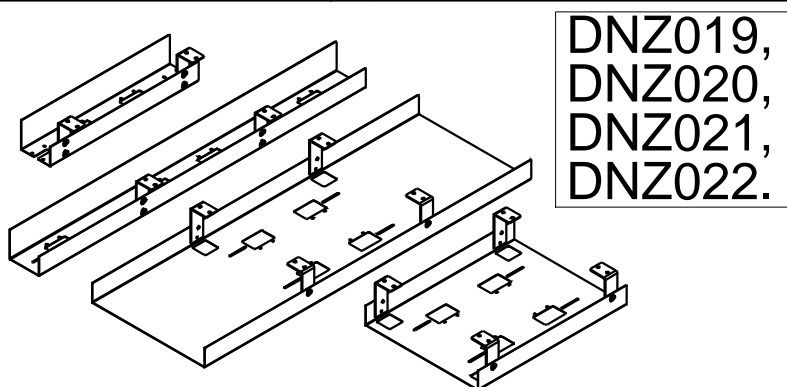
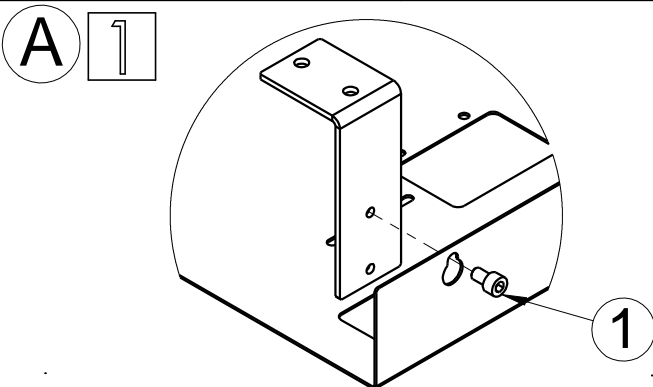
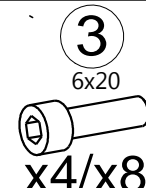
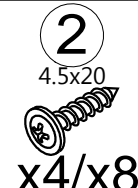
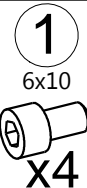
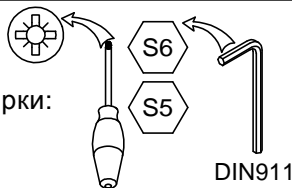
1/1

Surinkimo schema  
Схема сборки  
Assembling scheme

Reikalingi įrankiai:

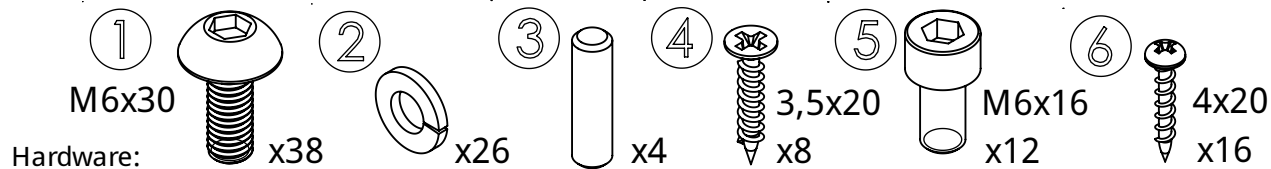
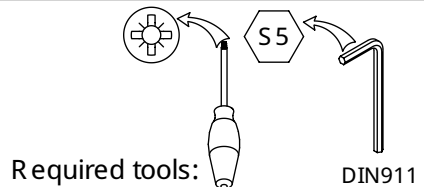
Инструменты для сборки:

Requiring tools:

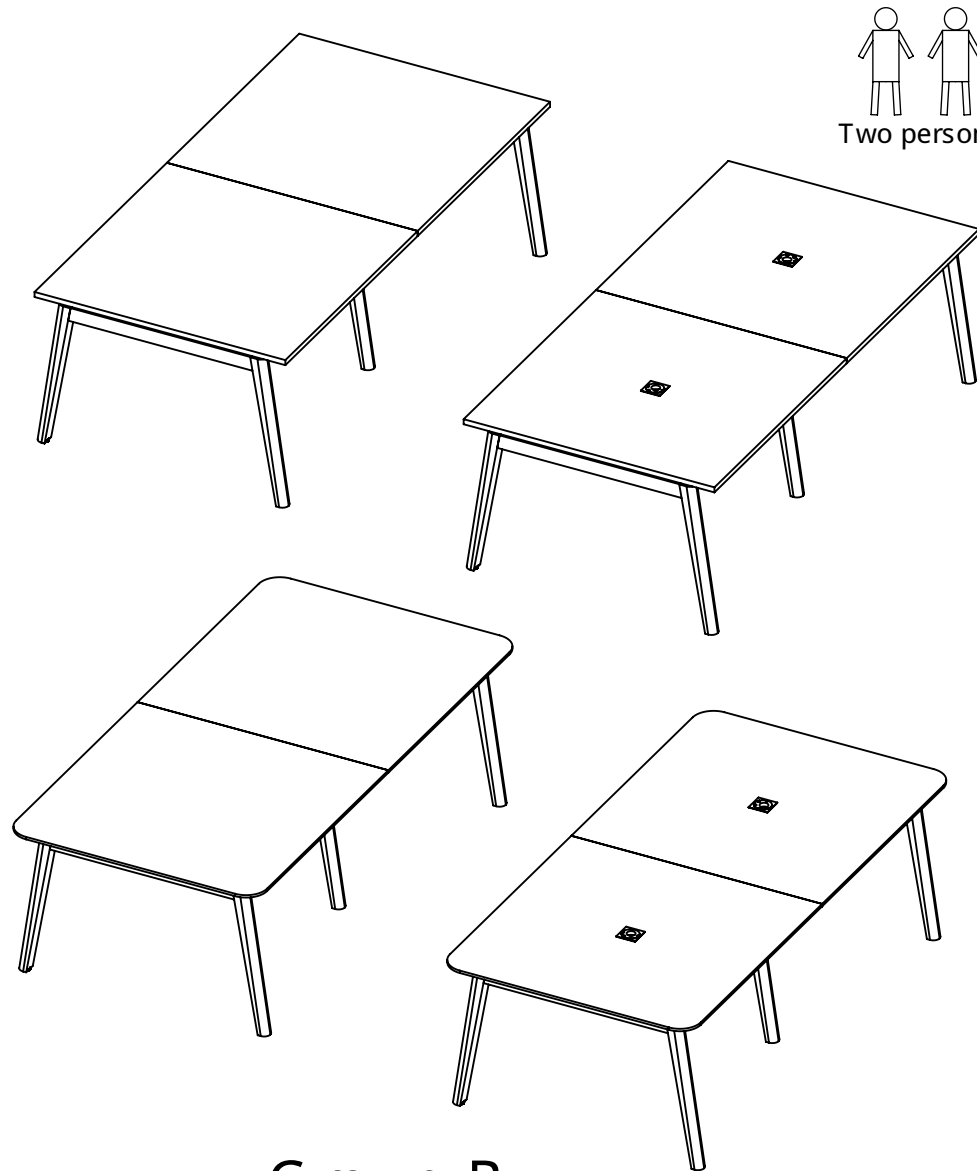
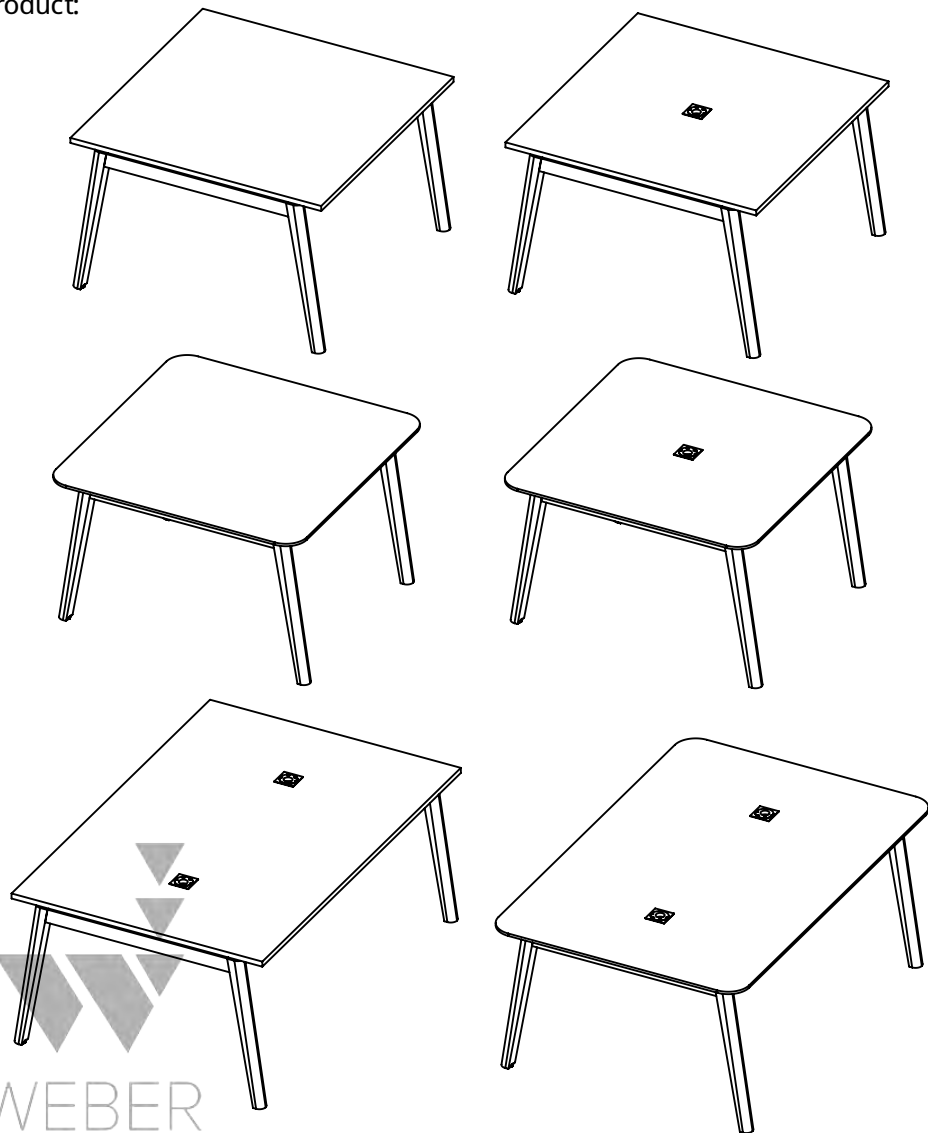


M60EN315 1 / 9

Assembling scheme



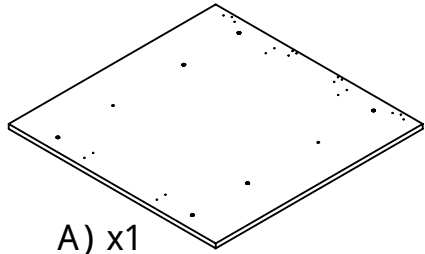
Product:



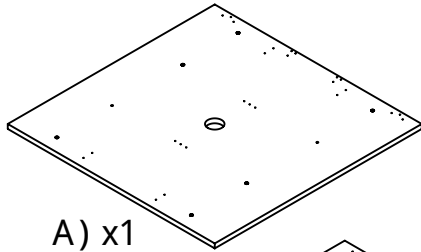
WEBER  
BÜRO

Group A [www.weberbuero.de](http://www.weberbuero.de)

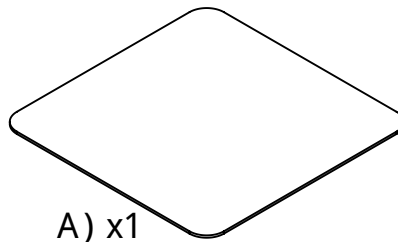
Group B



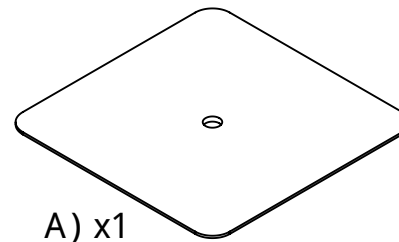
A) x1  
B) x2



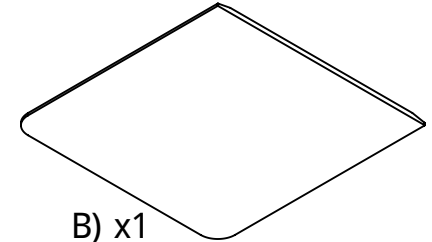
A) x1  
B) x2



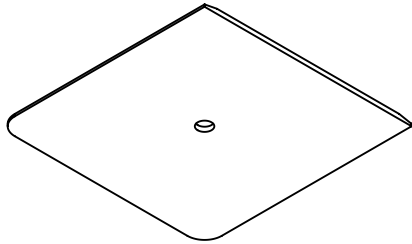
A) x1



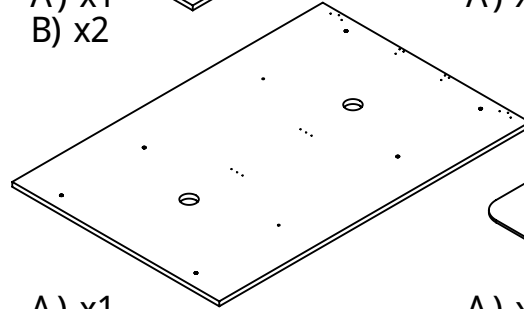
A) x1



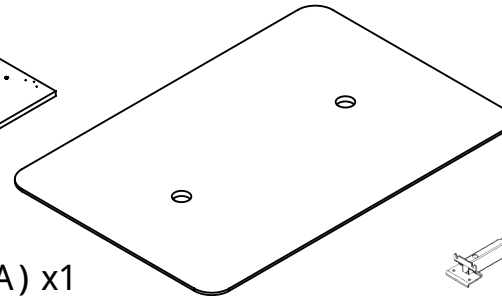
B) x1



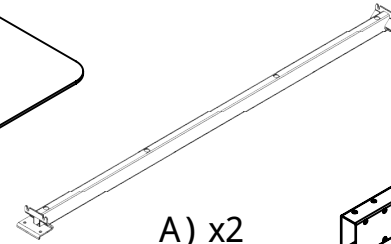
B) x2



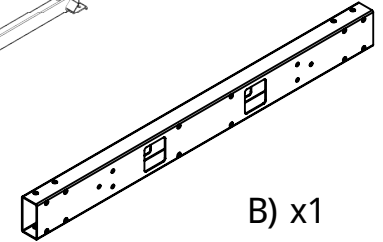
A) x1



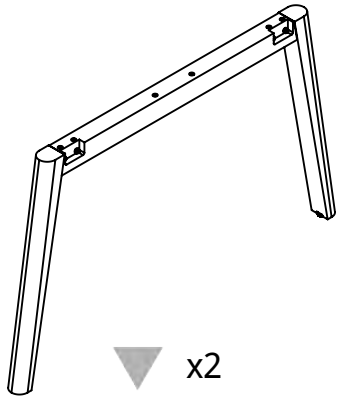
A) x1



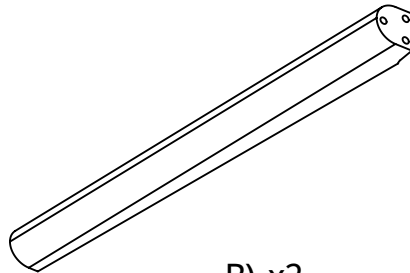
A) x2  
B) x4



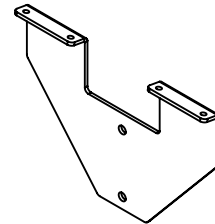
B) x1



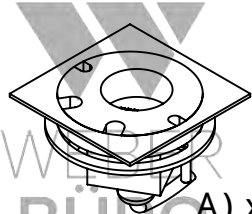
x2



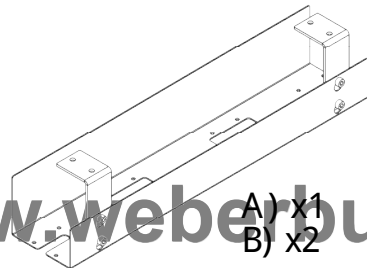
B) x2



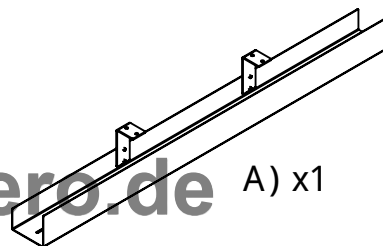
B) x2



A) x1/x2  
B) x2

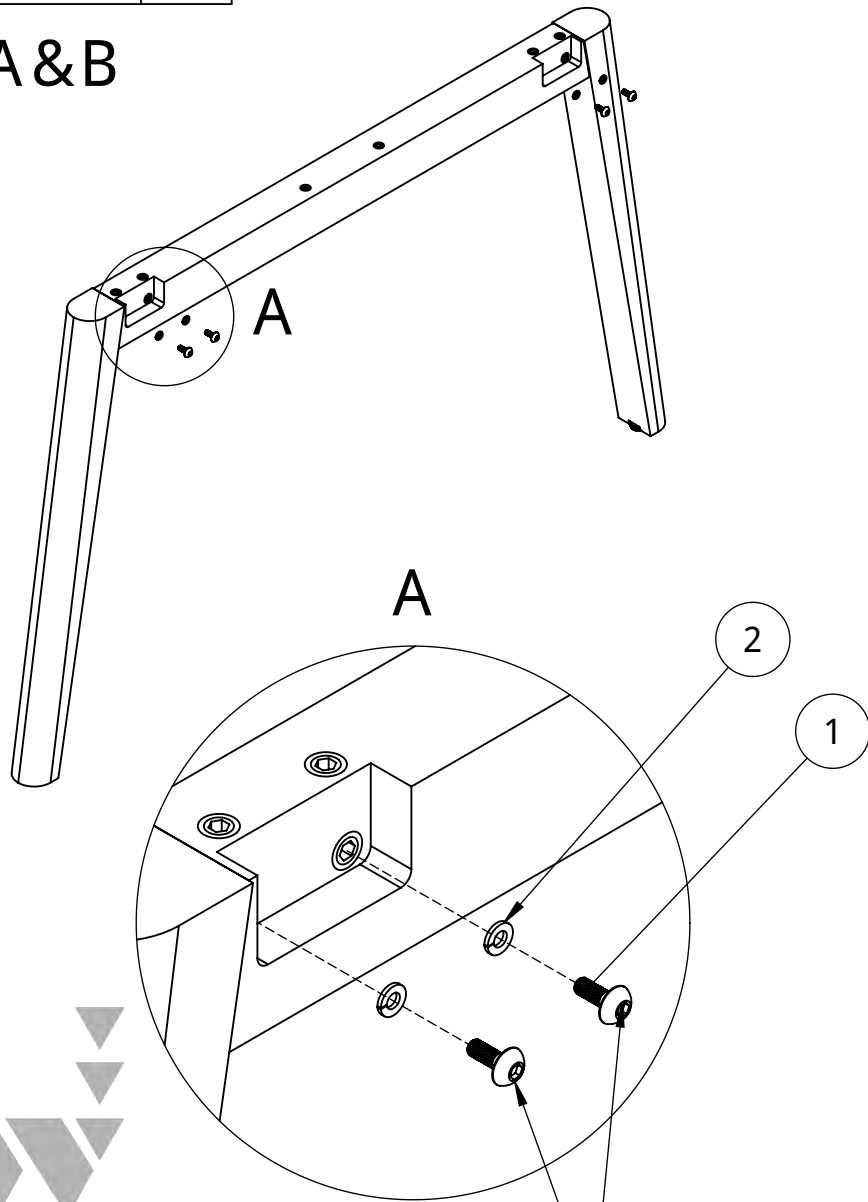


A) x1  
B) x2

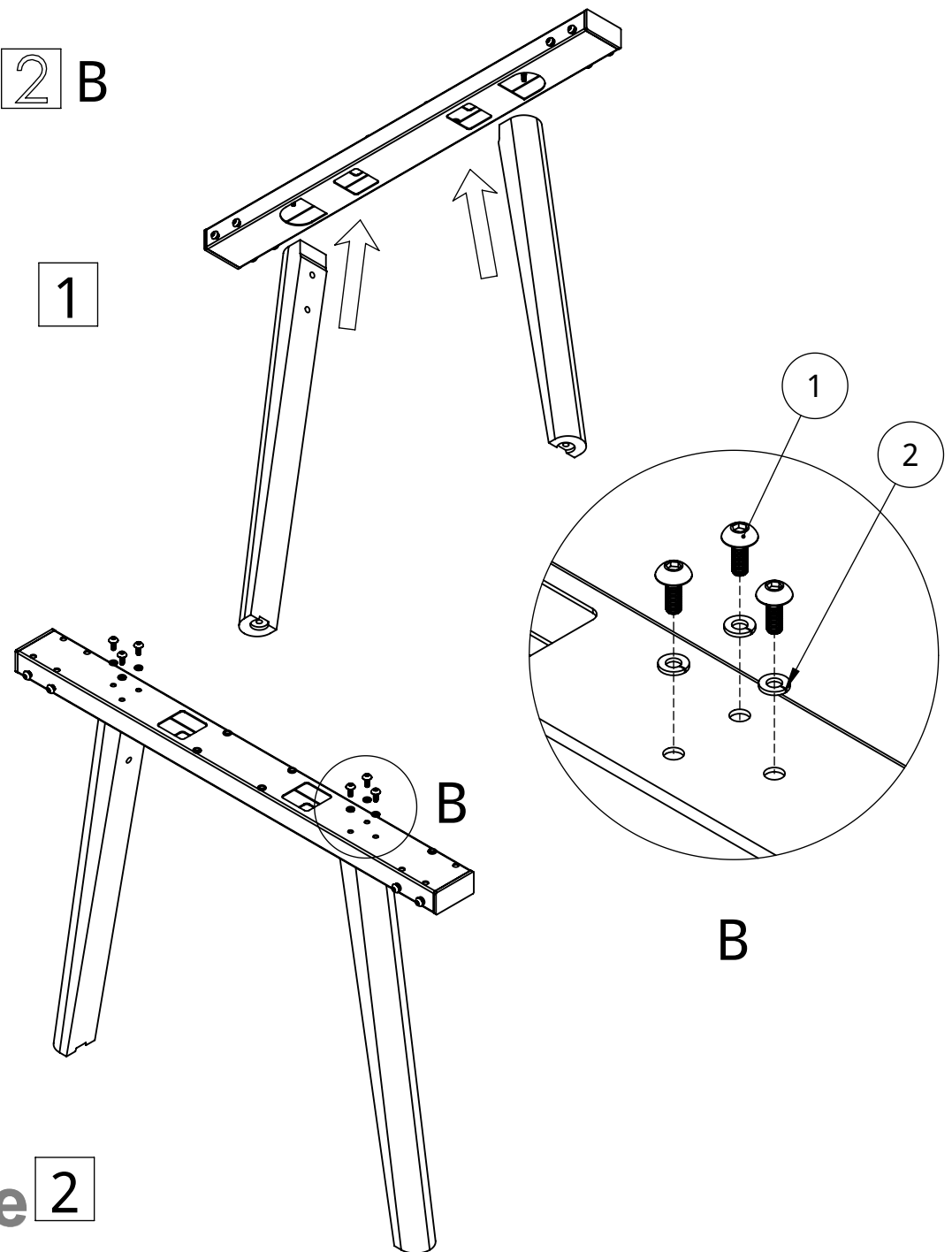


A) x1

1 A&B

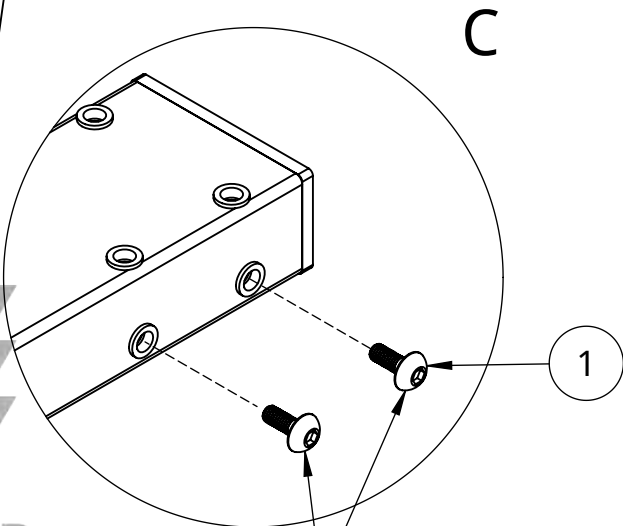
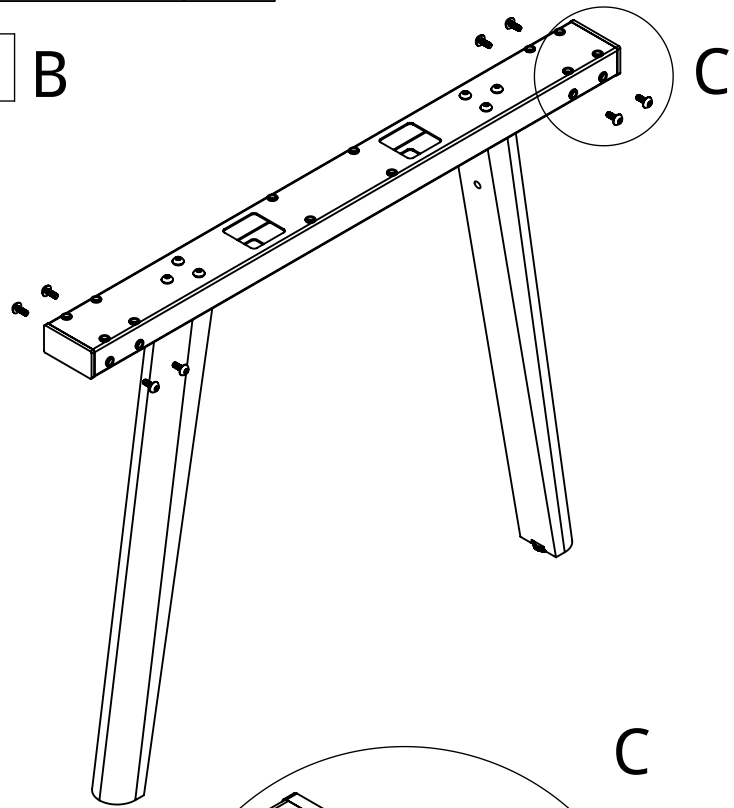


2 B



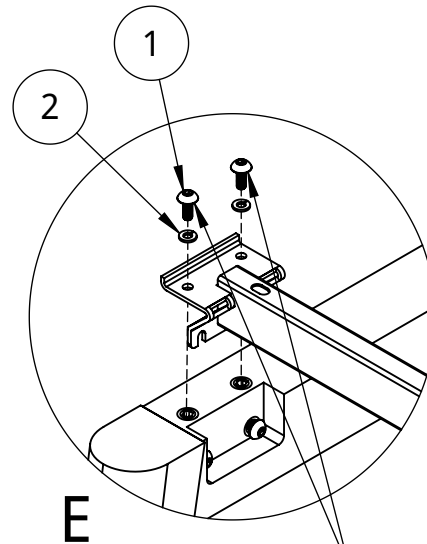
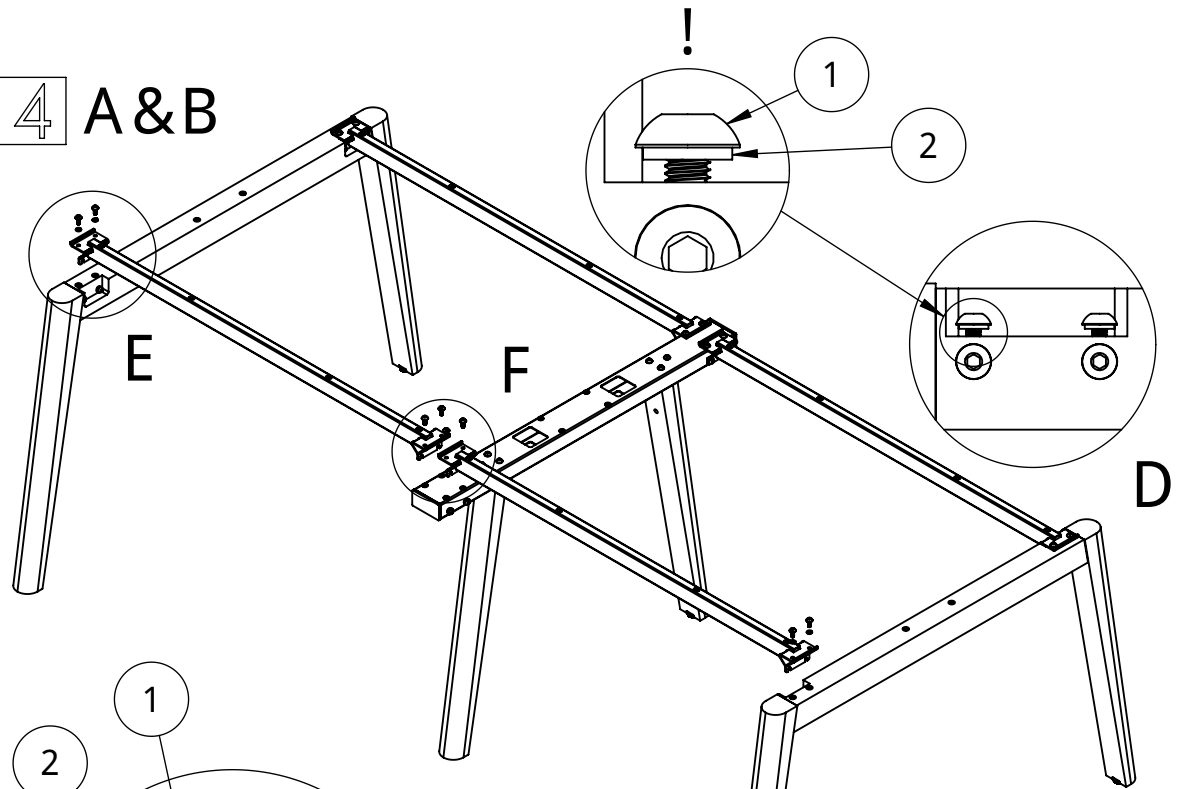
3

B

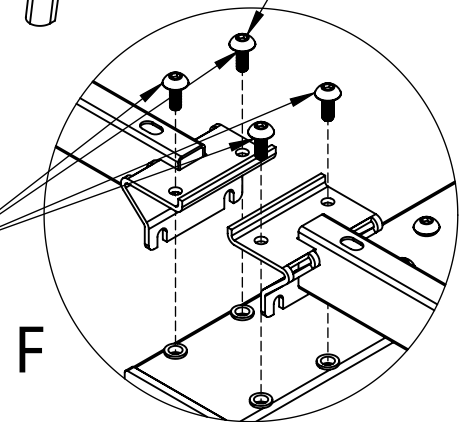


4

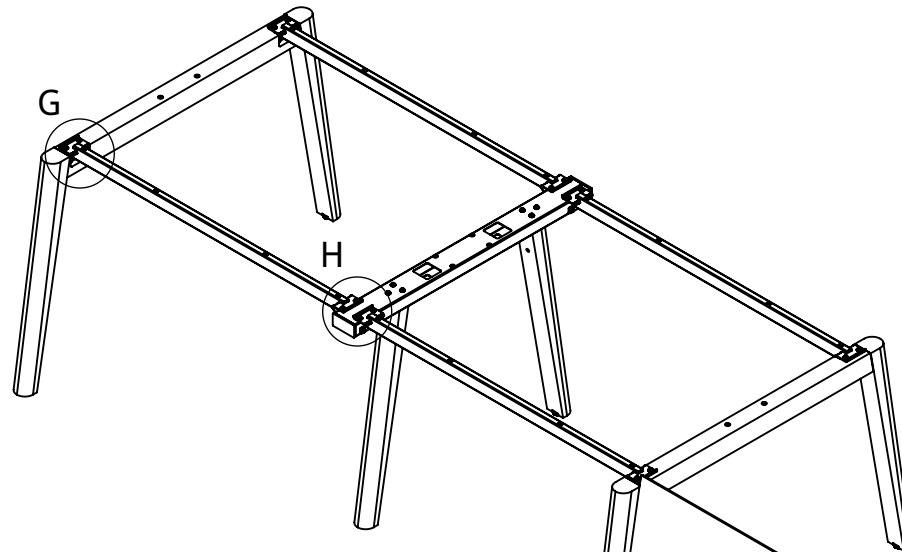
A&B



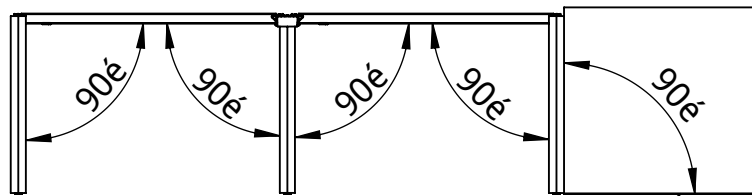
Do not tighten up



5 A&B

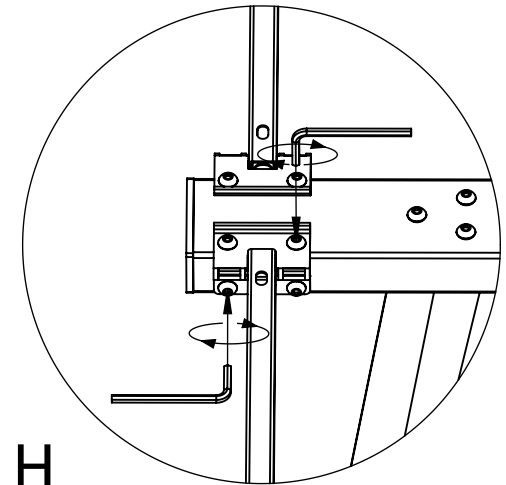
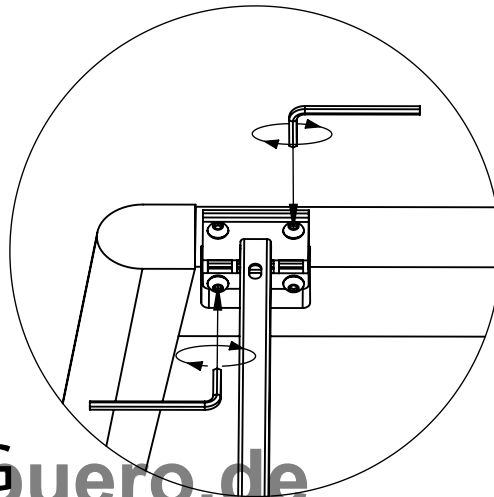


1

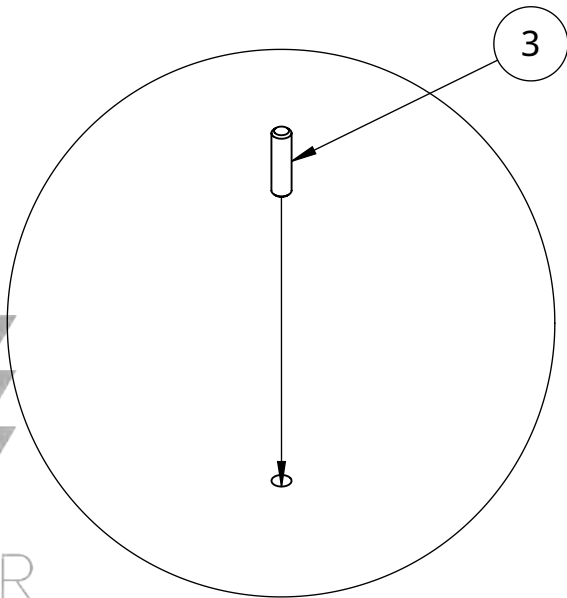
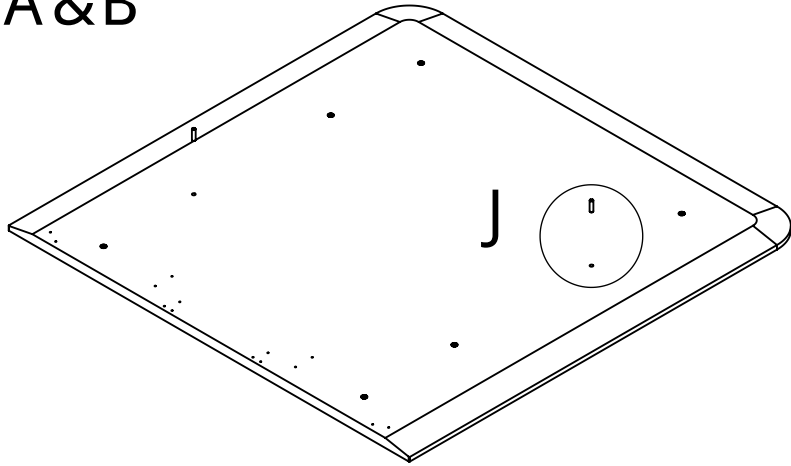


Desktop packaging cardboard

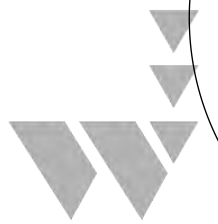
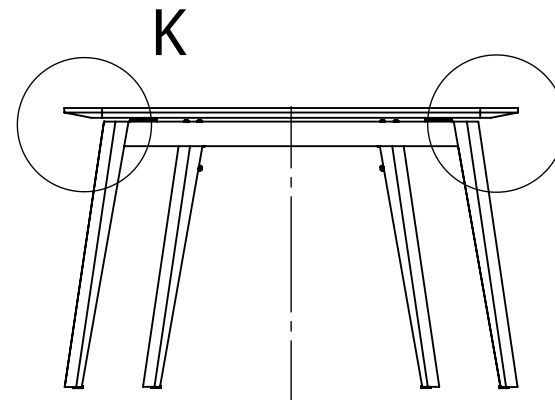
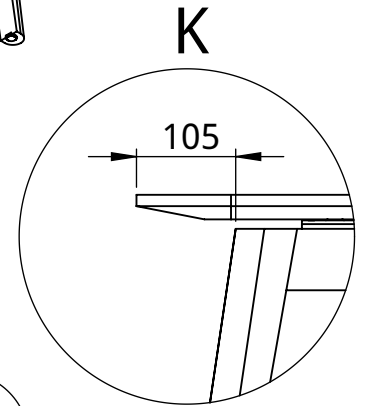
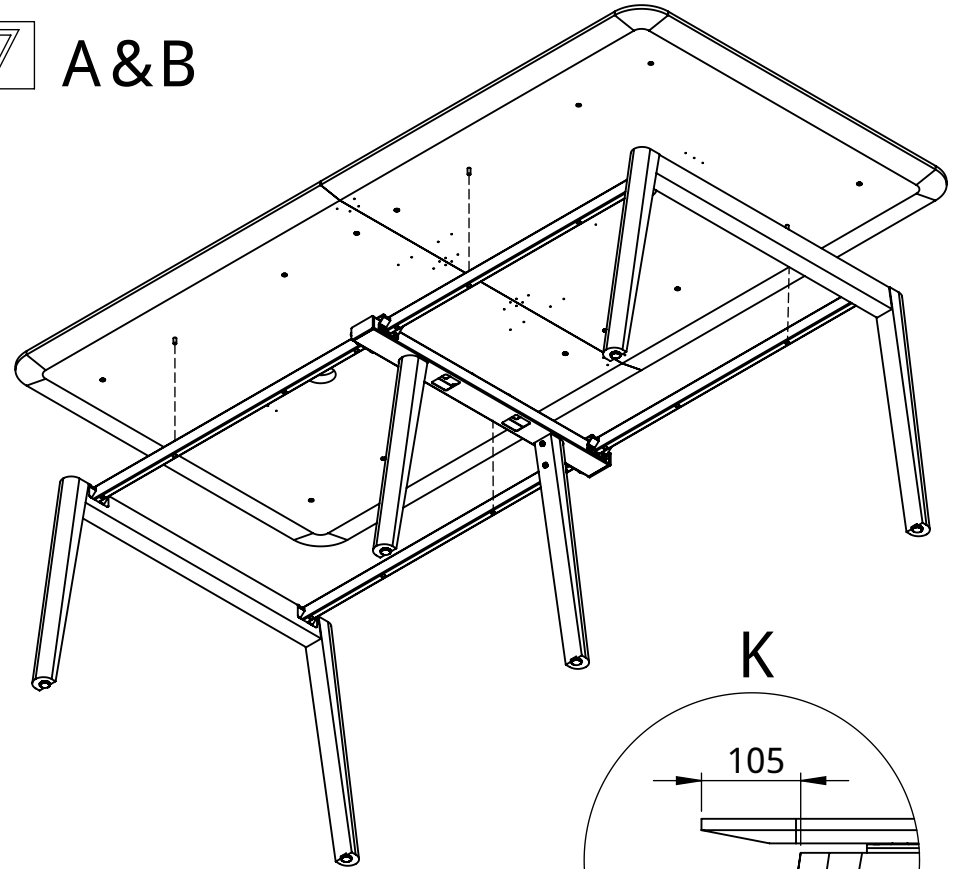
2 Tighten up



6 A&B



7 A&B

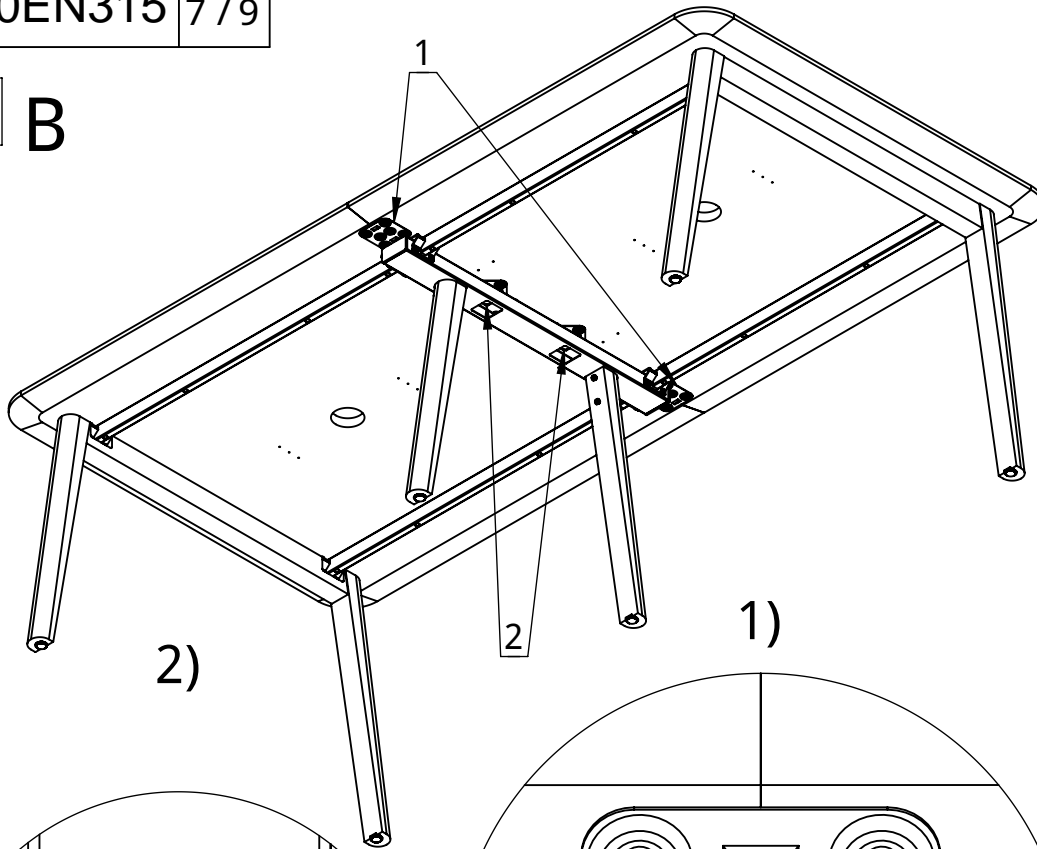


WEBER  
BÜRO

[www.weberbuero.de](http://www.weberbuero.de)

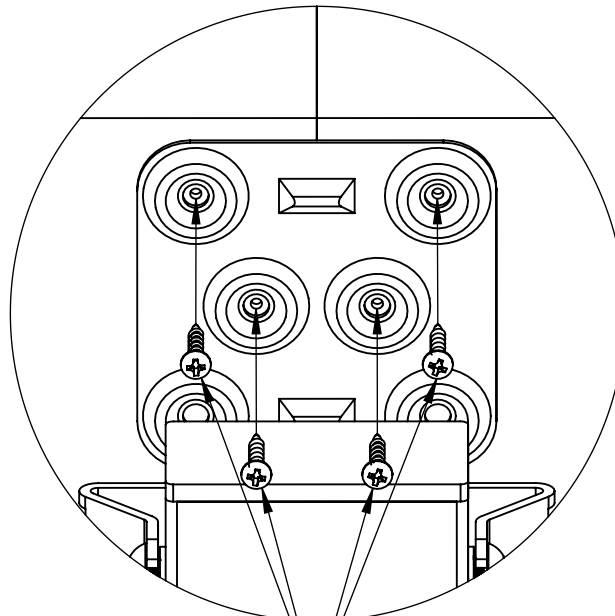
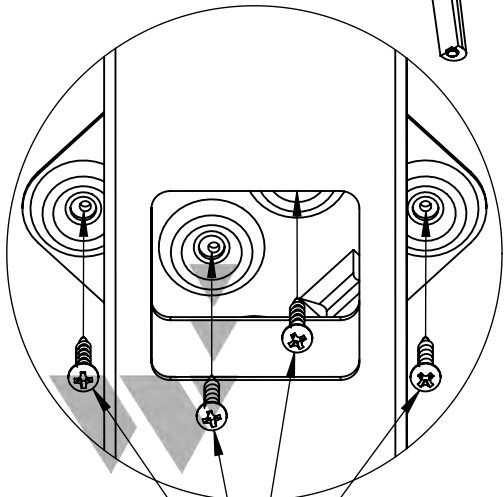


B



2)

1)



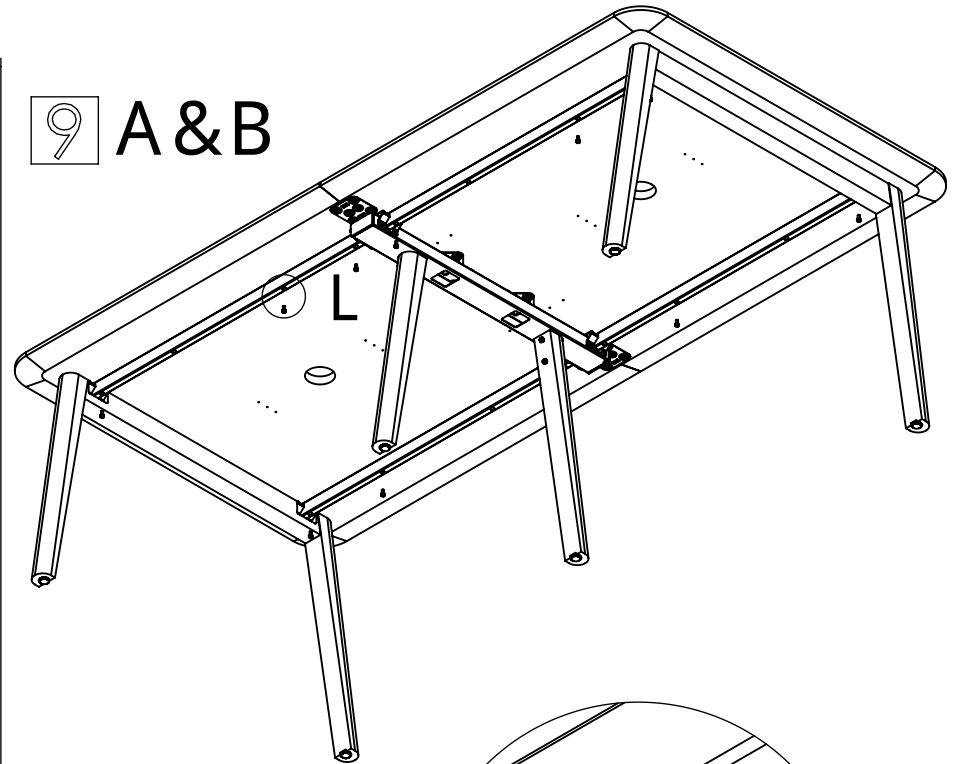
6

6

WEBER  
BÜRO [www.weberbuero.de](http://www.weberbuero.de)

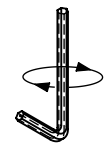
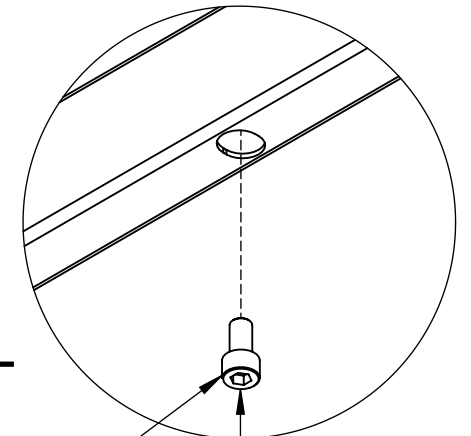


A&B



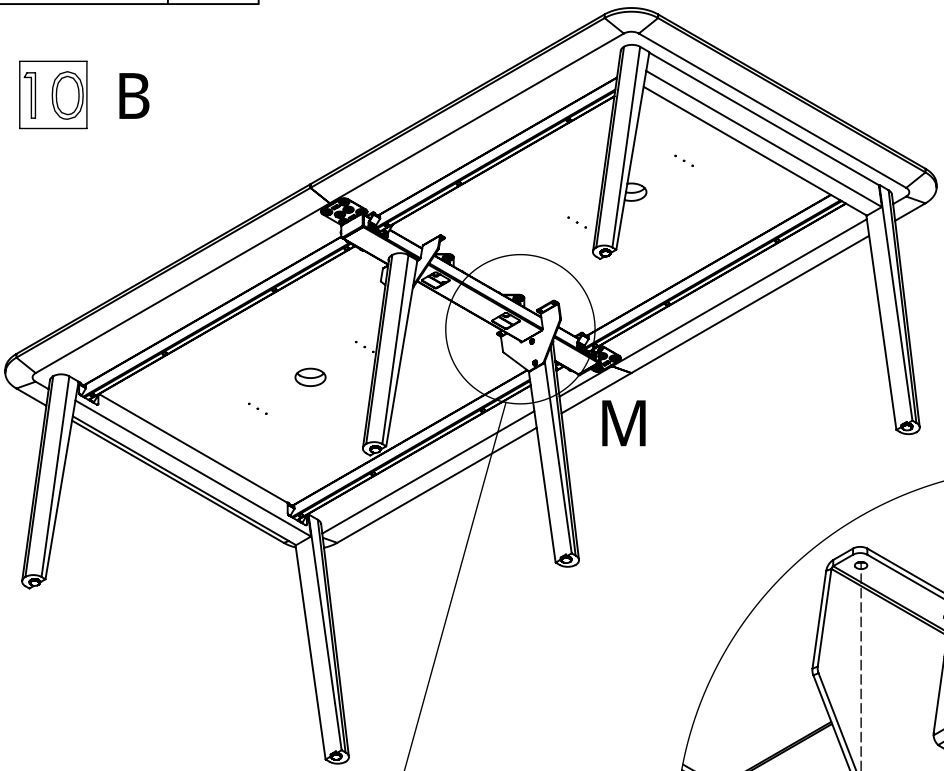
L

5

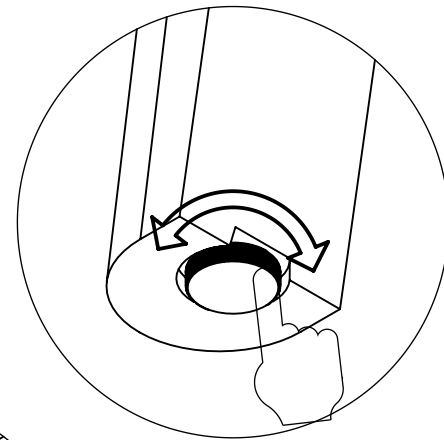




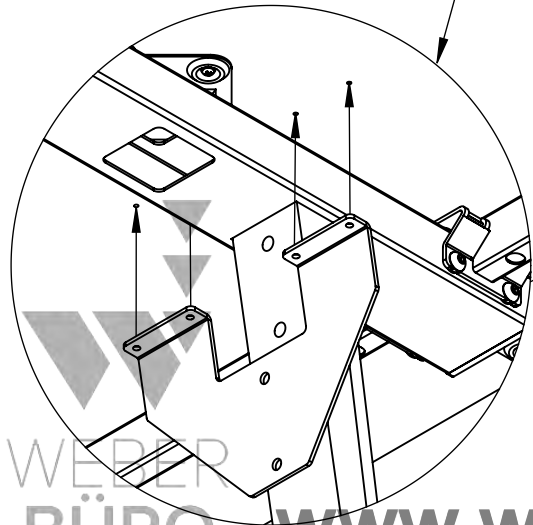
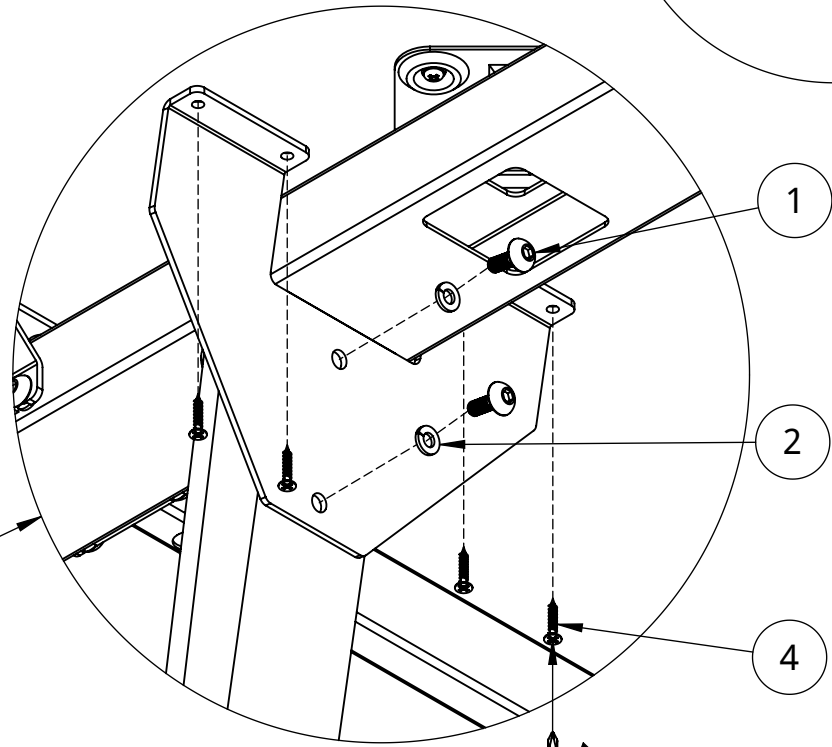
10 B



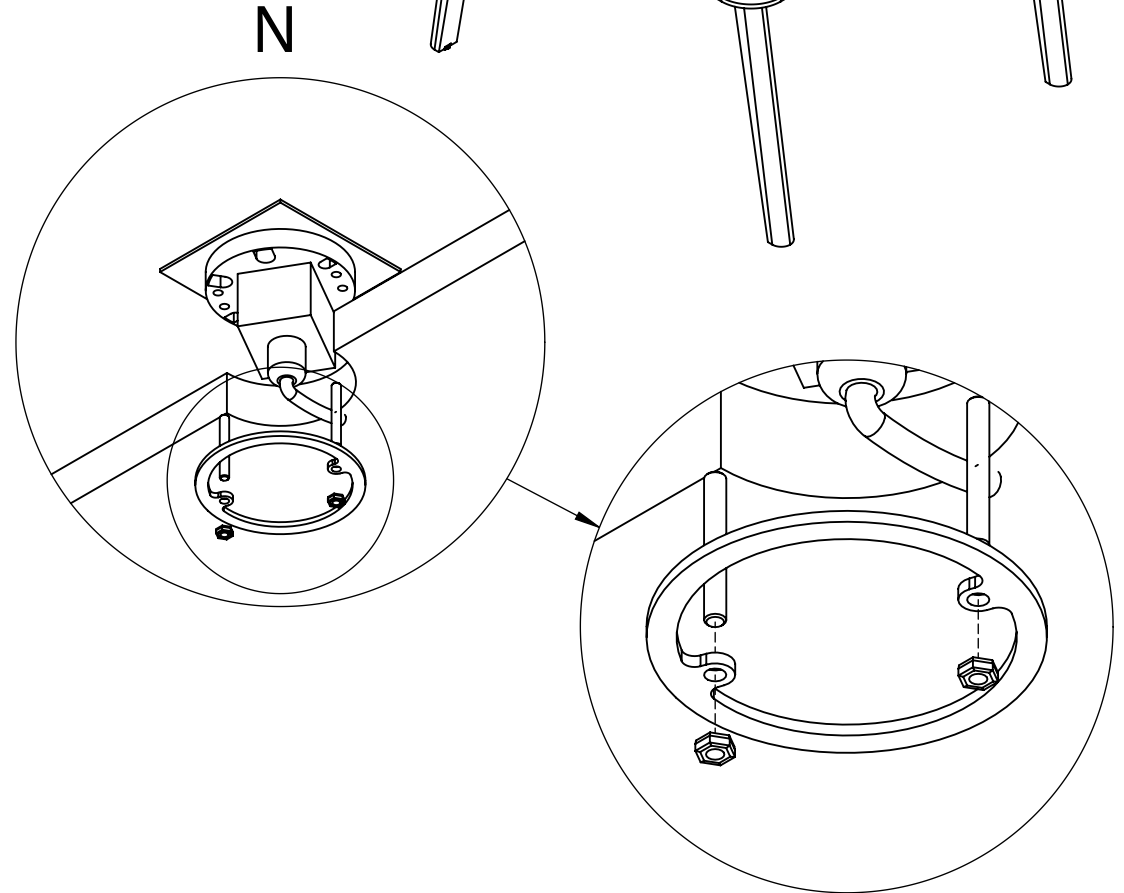
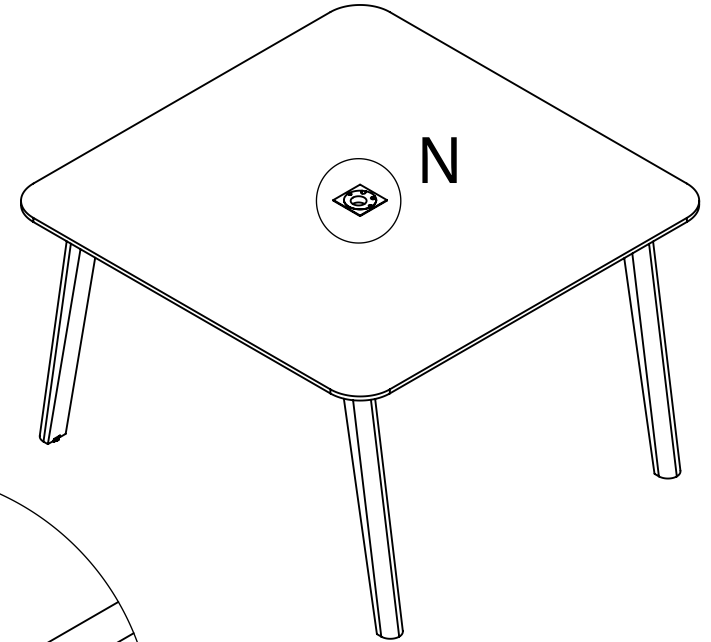
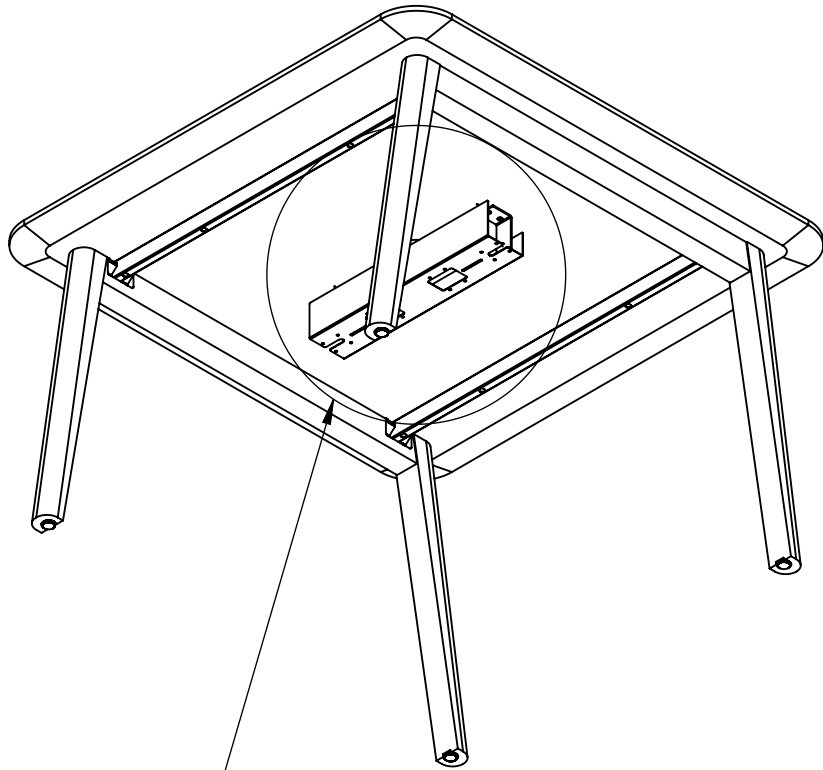
Adjust table height



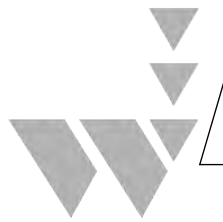
+10mm



11



For cable tray assembling, look at assembling scheme provided with cable tray

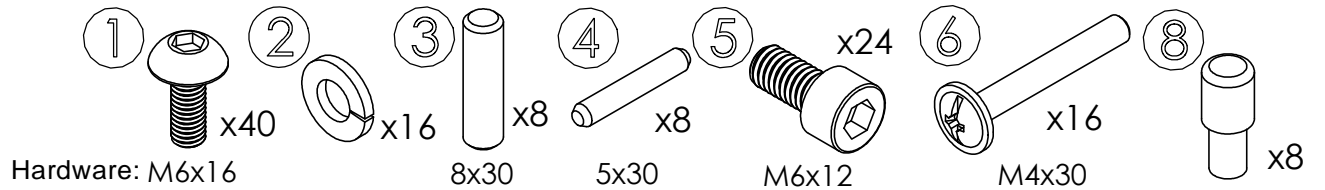
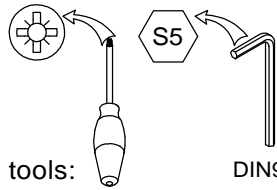


WEBER  
BÜRO

[www.weberbuero.de](http://www.weberbuero.de)

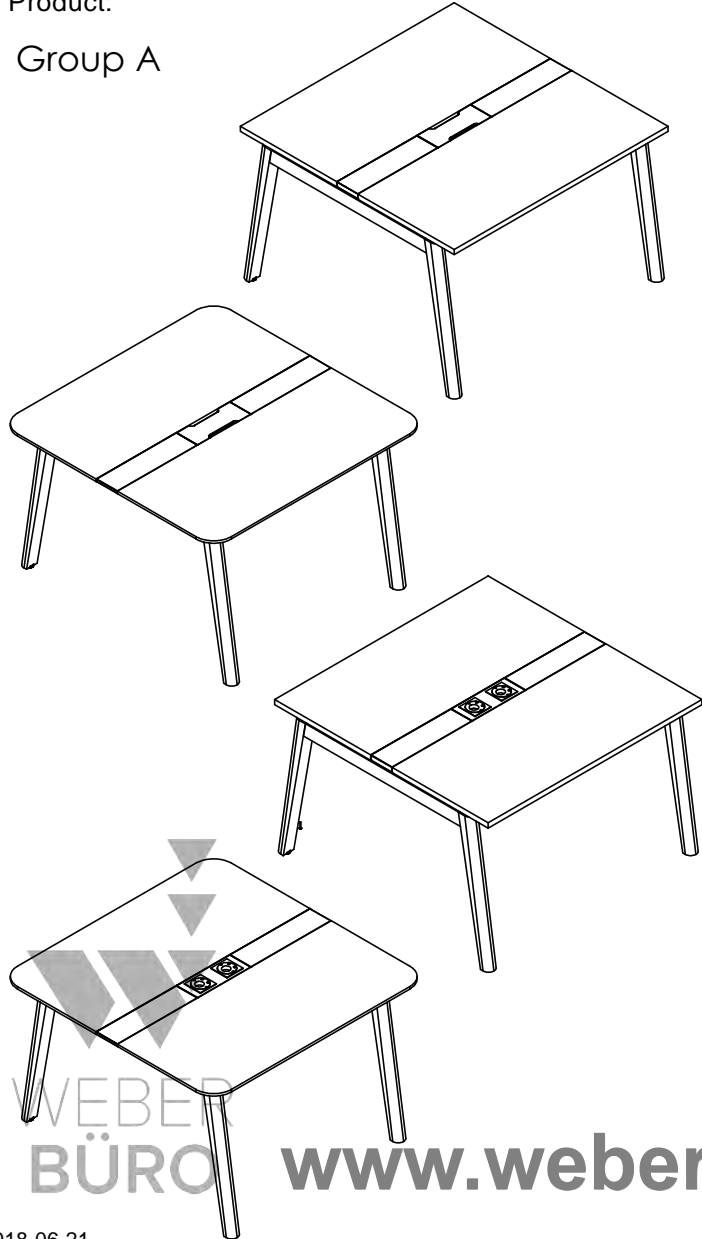
M60EN316

1 / 7

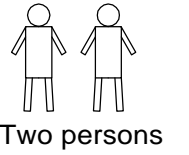
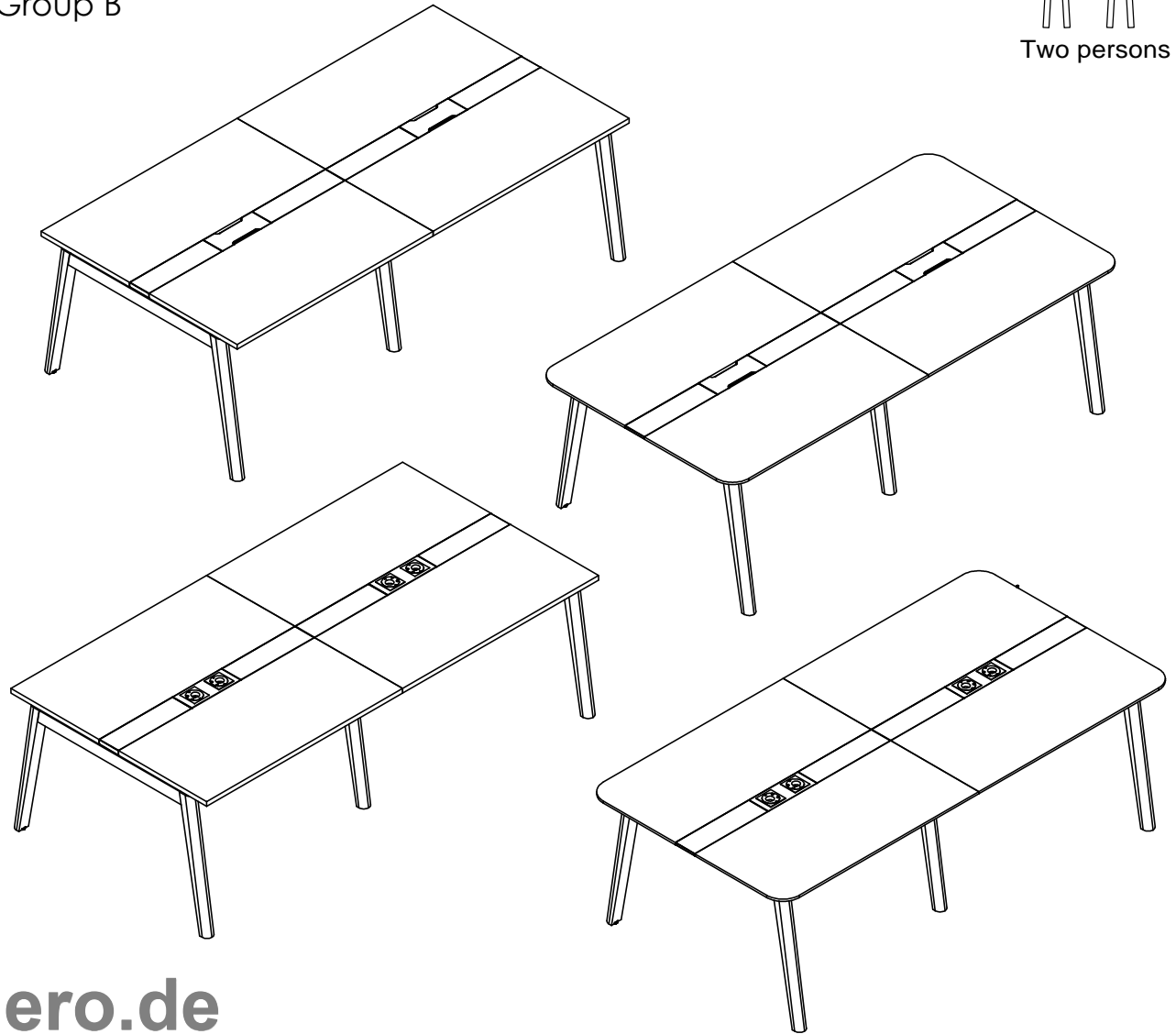


Assembling scheme

Product:  
Group A



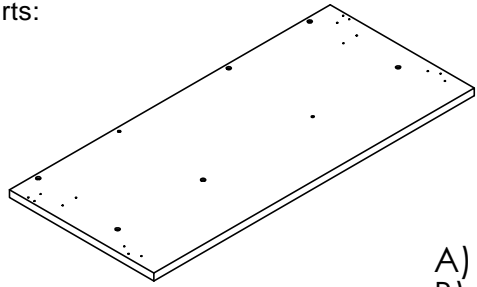
Group B



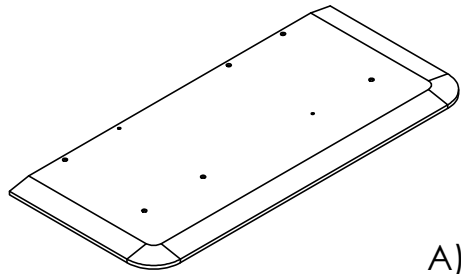
WEBER  
BÜRO

[www.weberbuero.de](http://www.weberbuero.de)

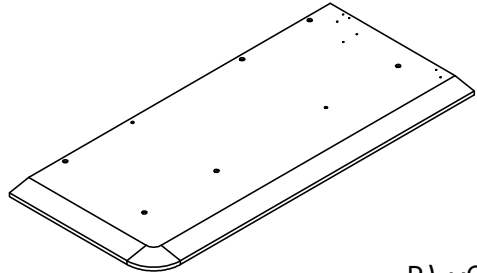
Parts:



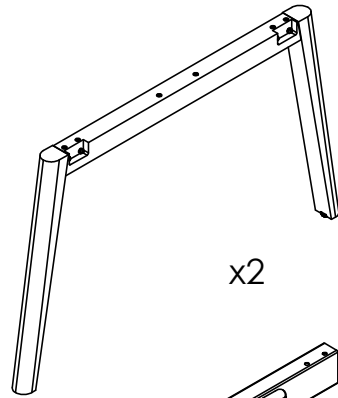
A) x2  
B) x4



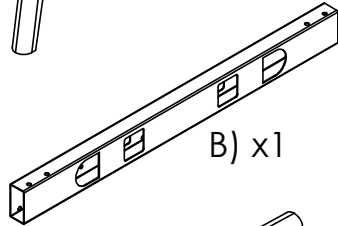
A) x2



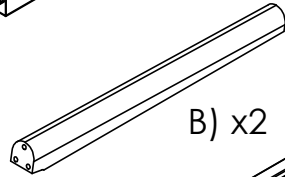
B) x2



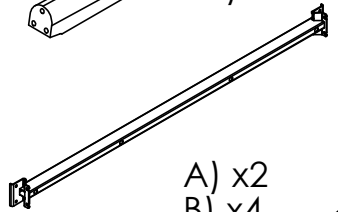
x2



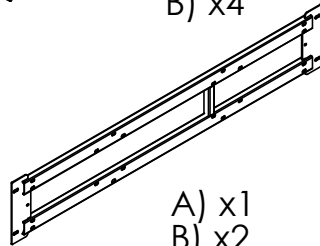
B) x1



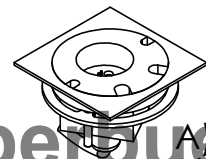
B) x2



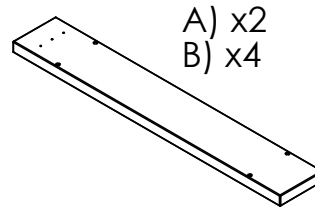
A) x2  
B) x4



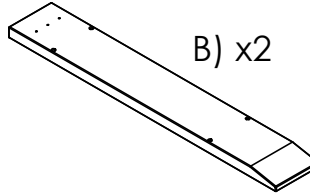
A) x1  
B) x2



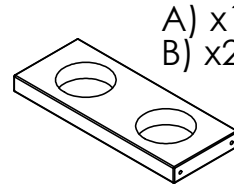
A) x1  
B) x2



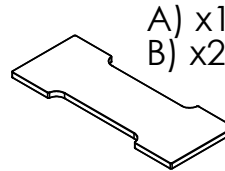
A) x2  
B) x4



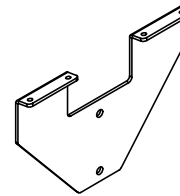
B) x2



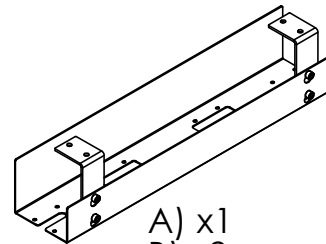
A) x1  
B) x2



A) x1  
B) x2



B) x2



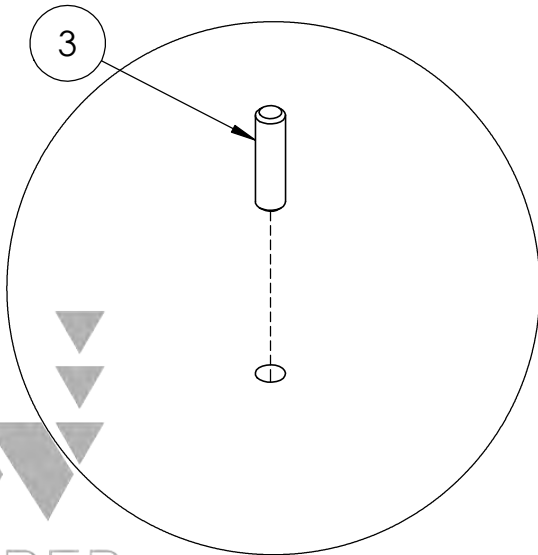
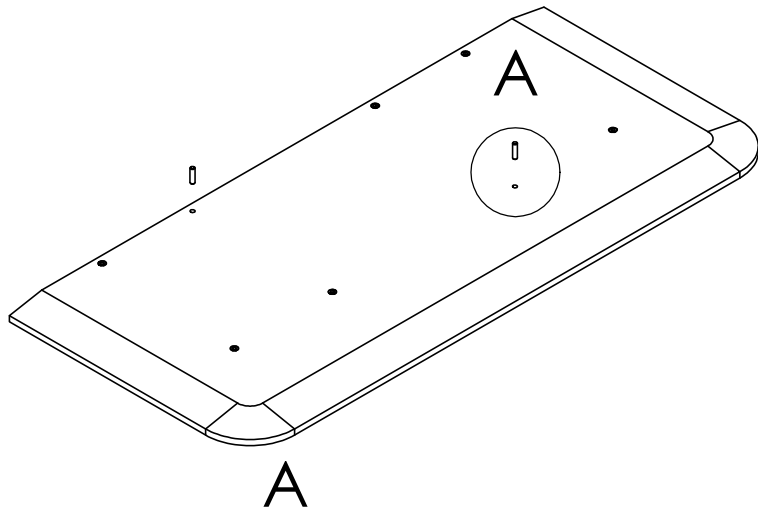
A) x1  
B) x2



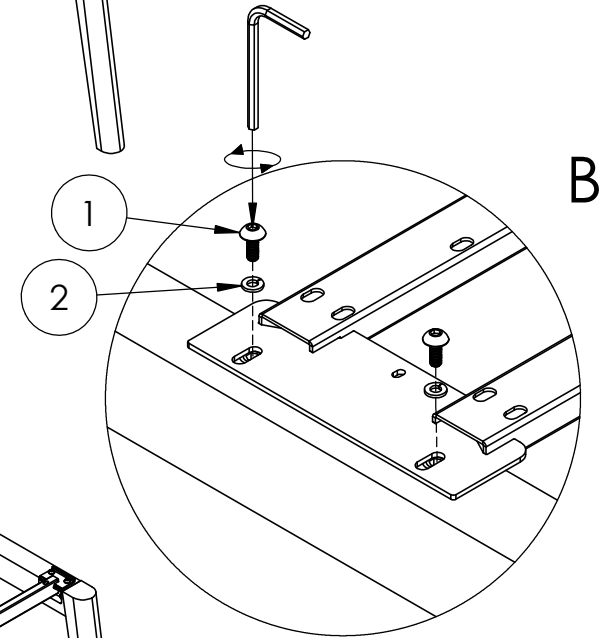
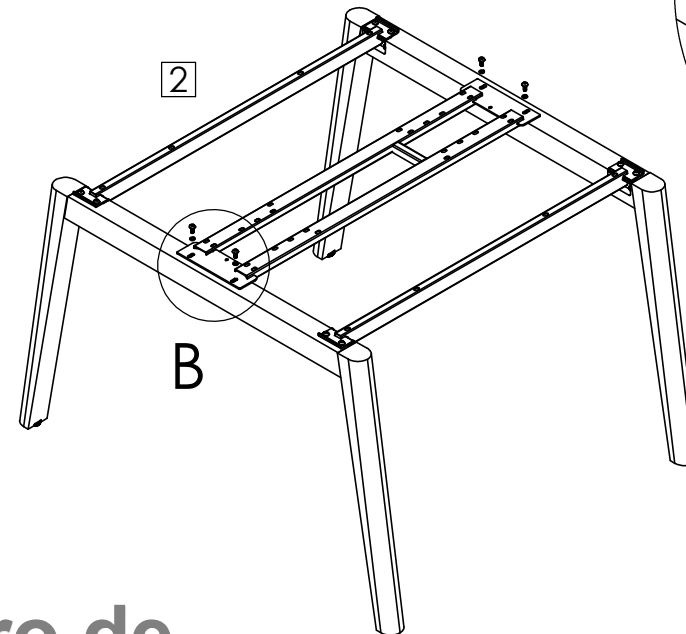
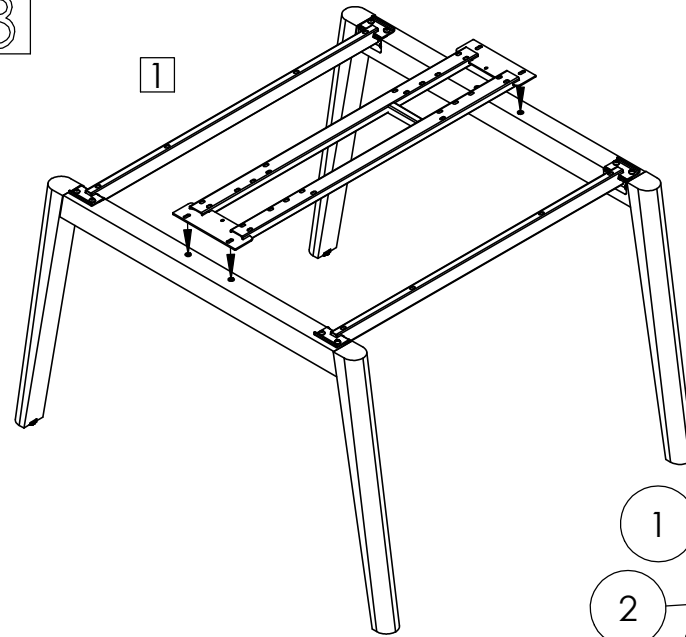
For legs assembling, look at assembling scheme M60EN289 page 3 and 4 (Group A and Group B seperated)



2

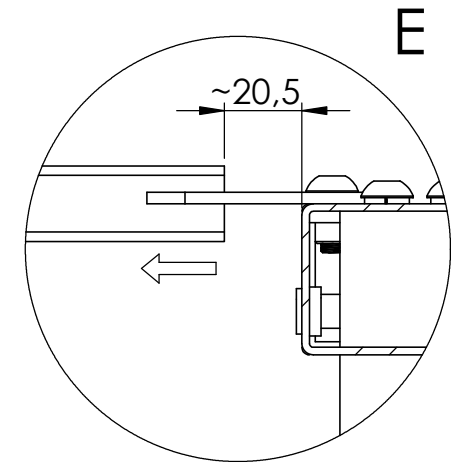
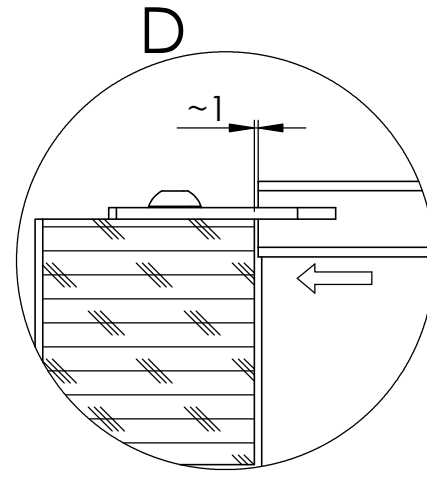
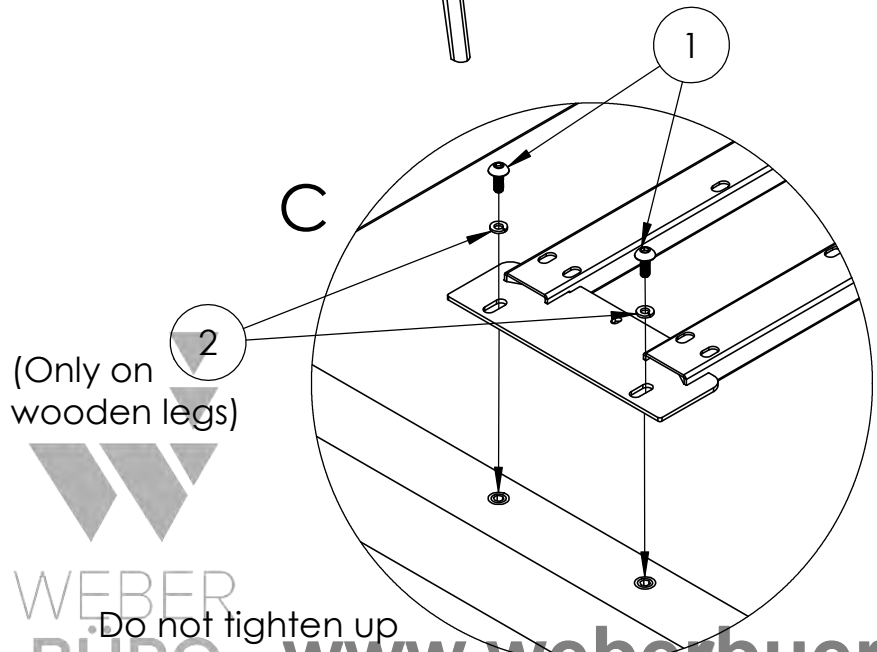
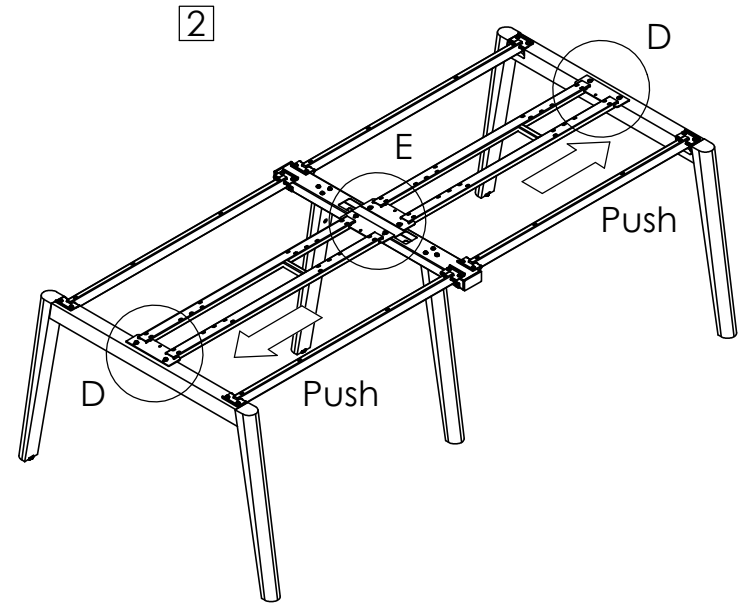
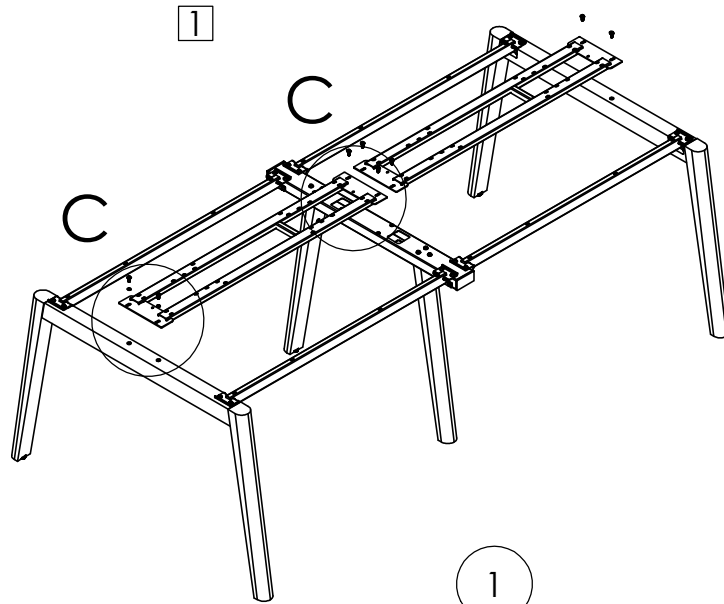


3



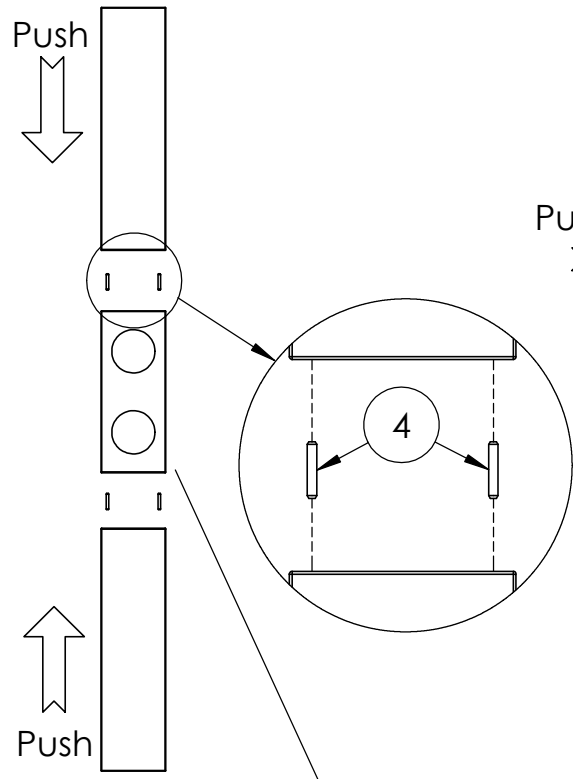
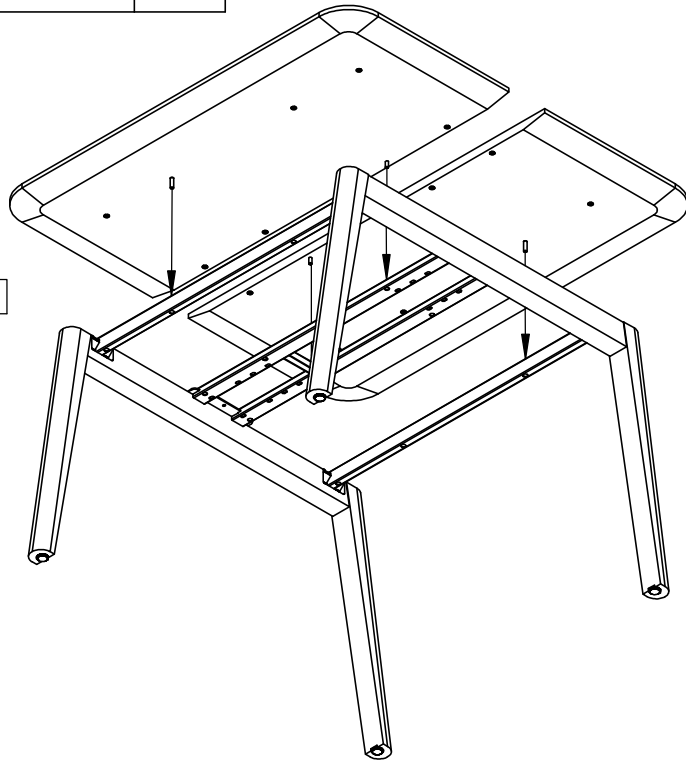
**IMPORTANT!**

At any bench combination (with central leg),  
always push middle frame to wooden leg when  
assembling



4

1

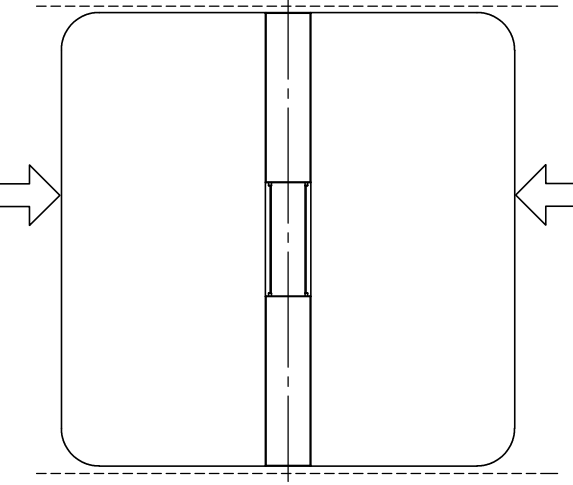


3

Set all edges in line

Push

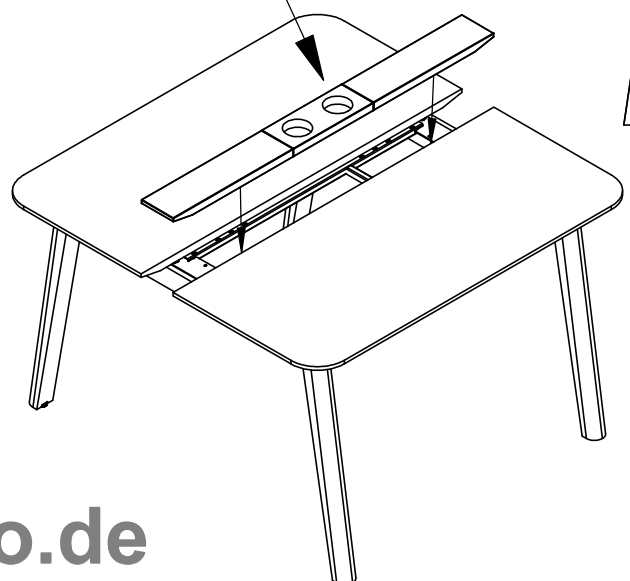
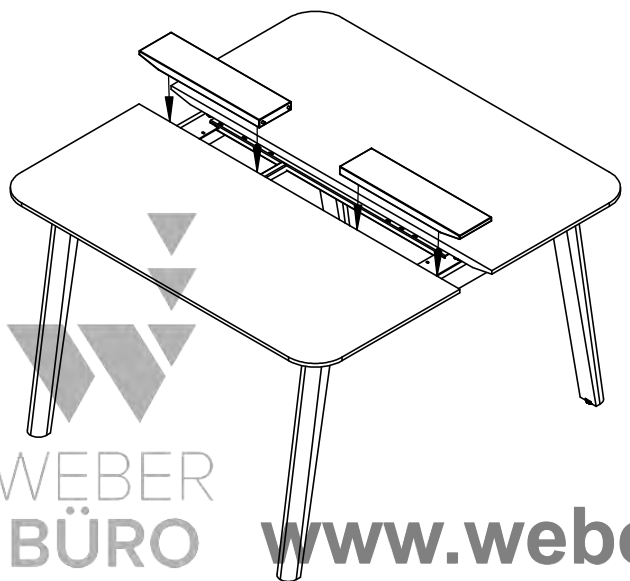
Push



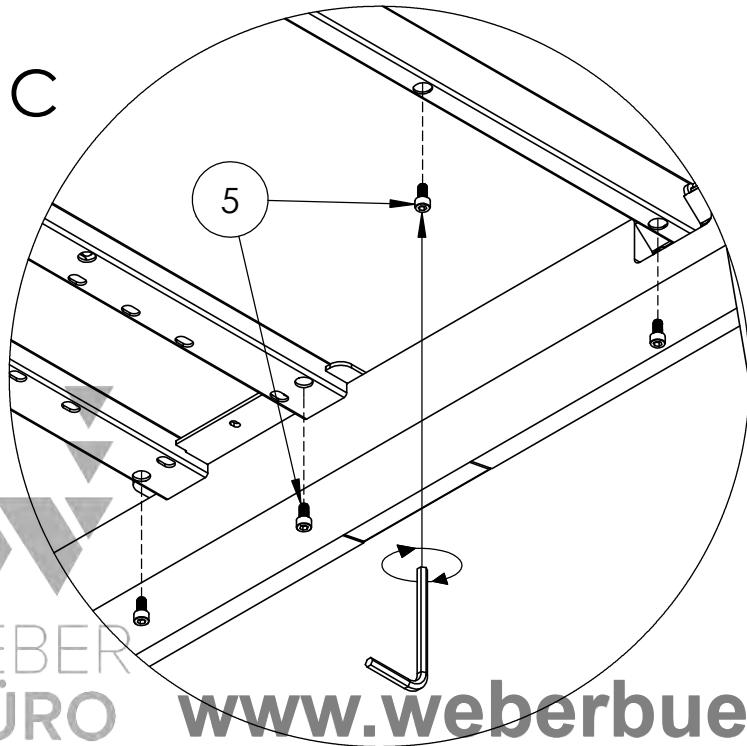
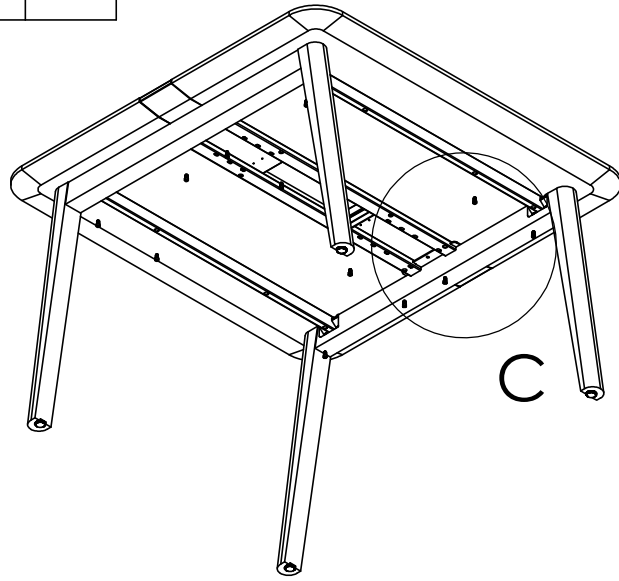
Center all desktop parts

2

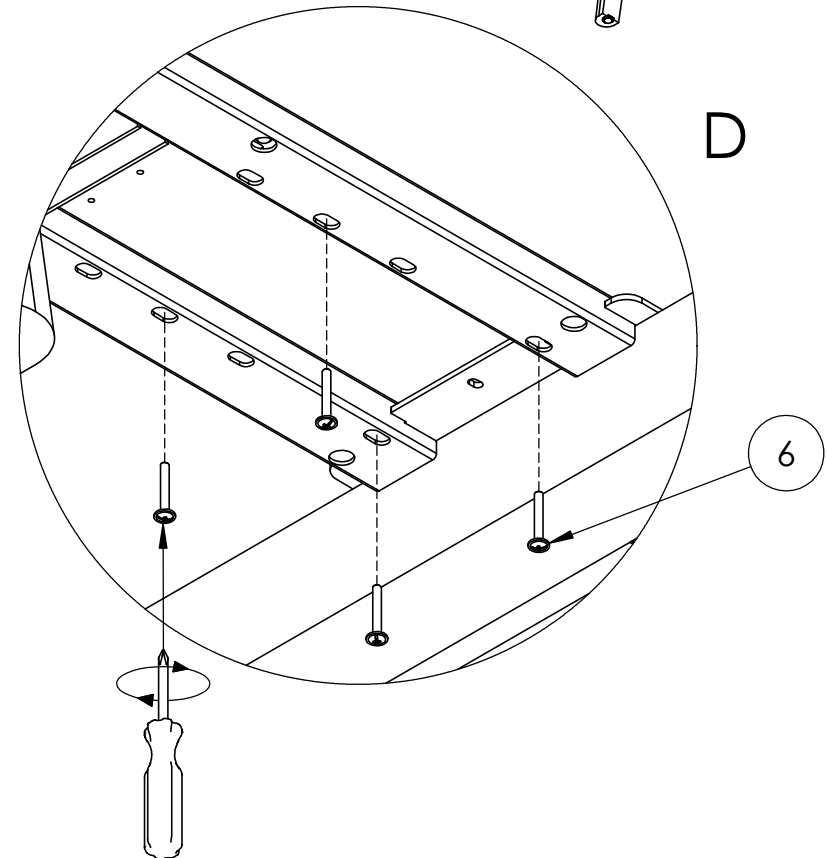
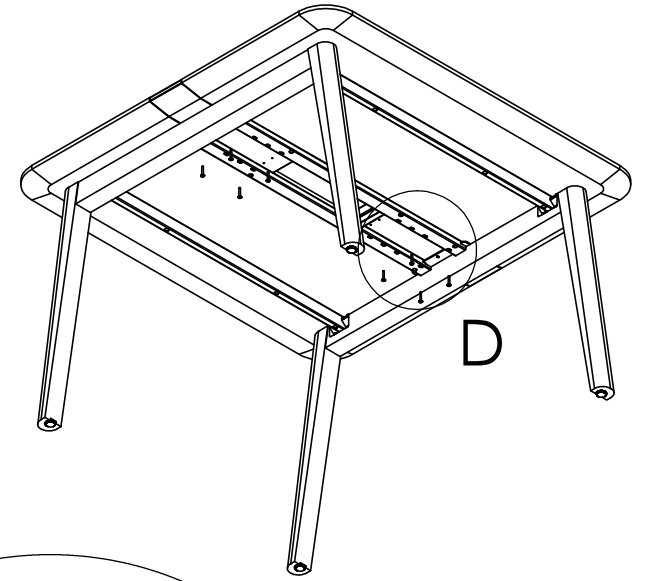
OR



5

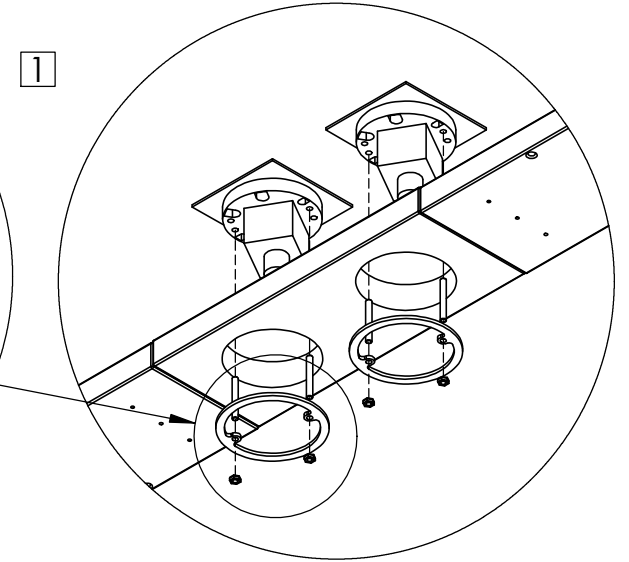
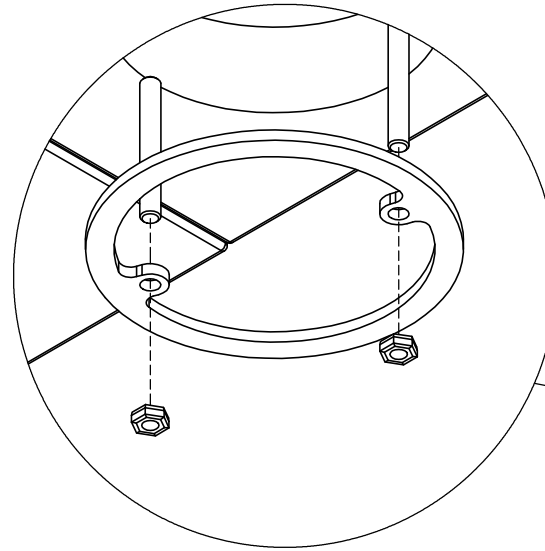
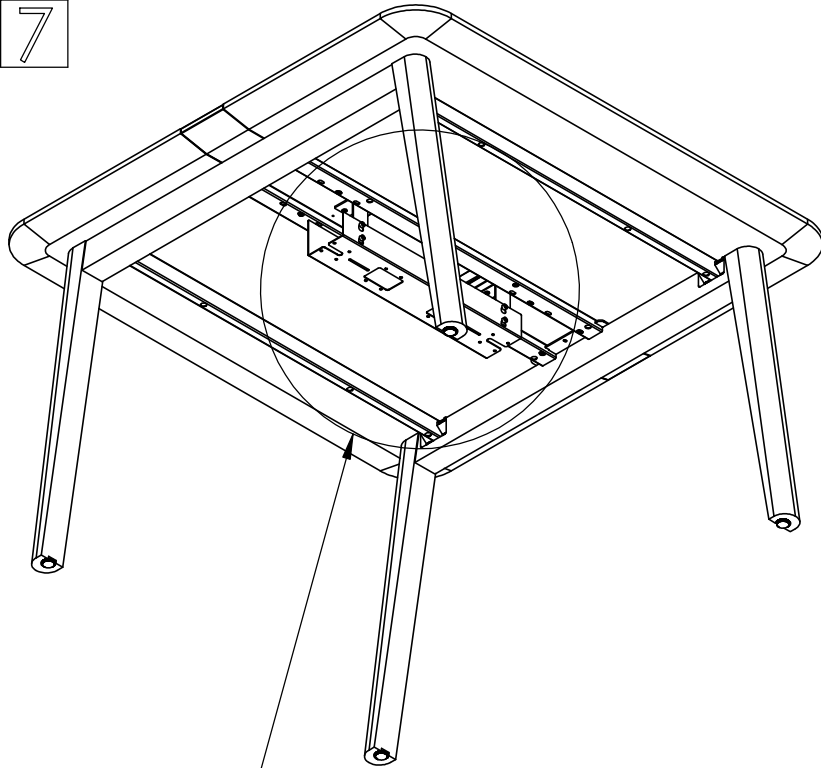


6





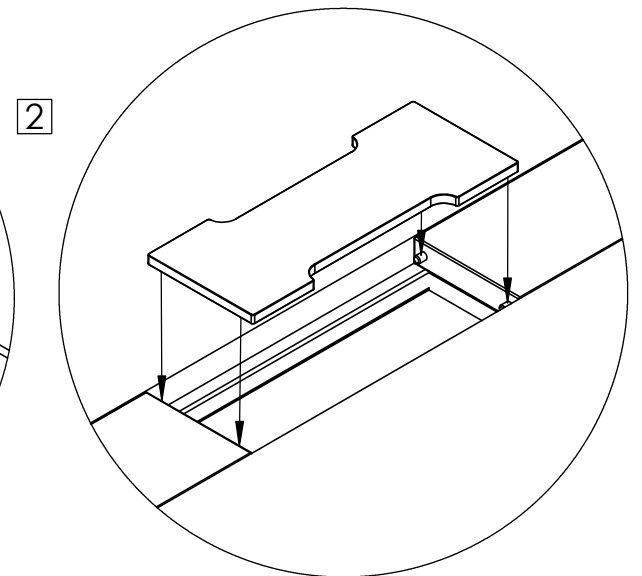
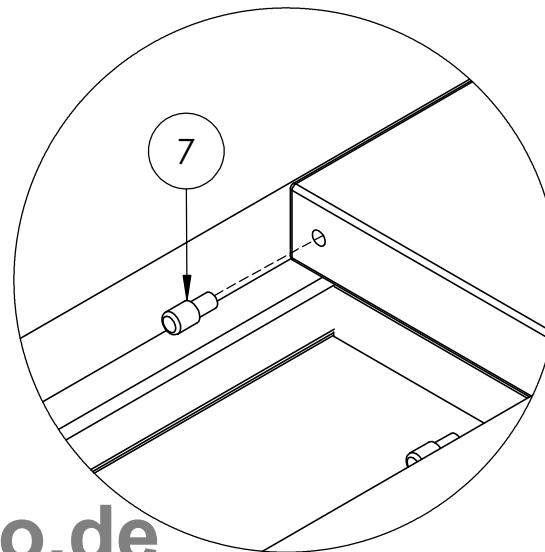
7



1 Cable tray assembling

OR

2 Cable tray assembling



For cable tray assembling, look at assembling scheme provided with cable tray



WEBER  
BÜRO

[www.weberbuero.de](http://www.weberbuero.de)