

M60EN090

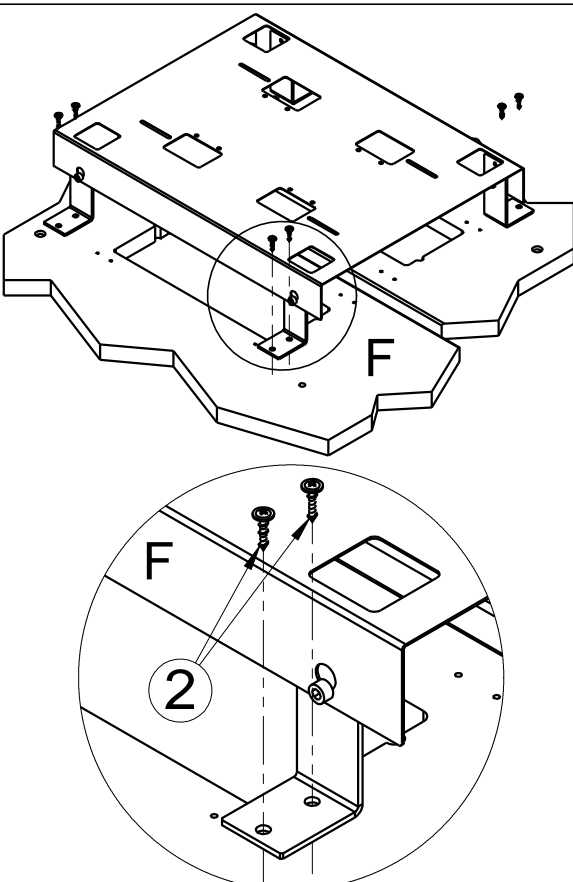
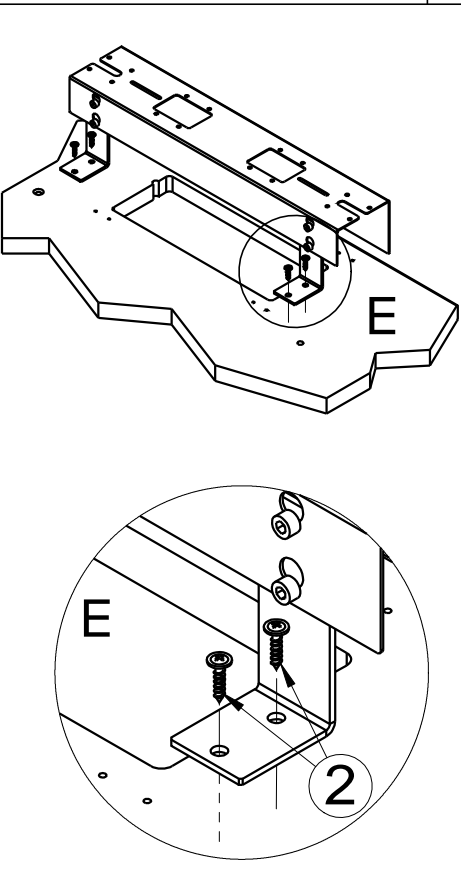
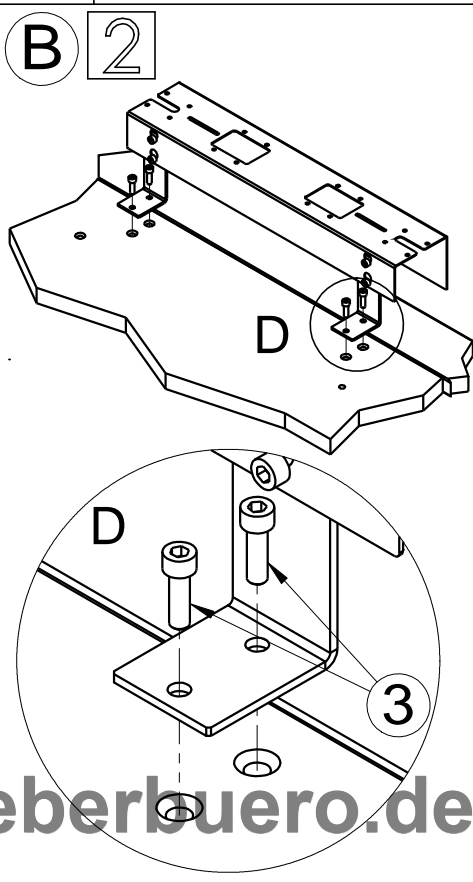
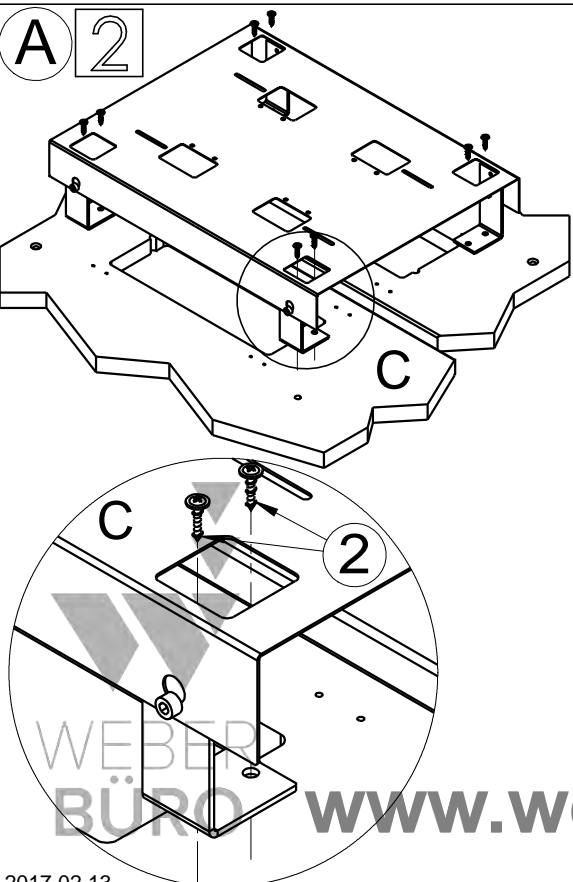
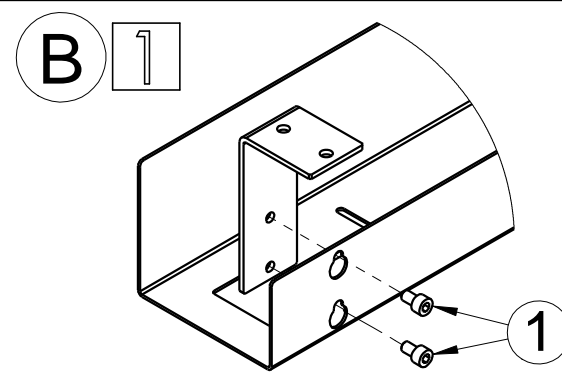
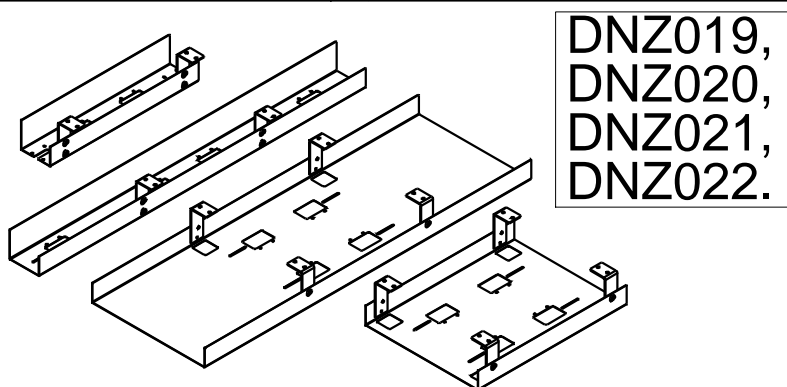
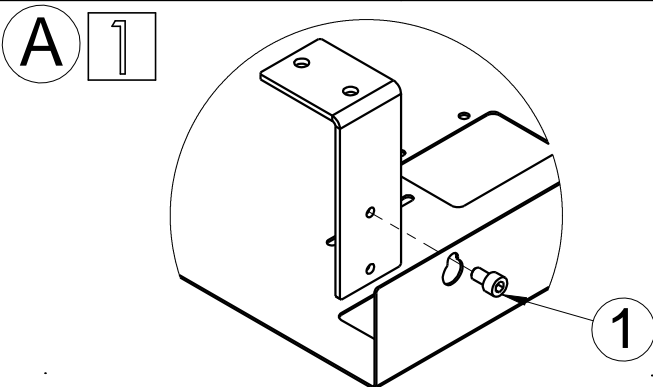
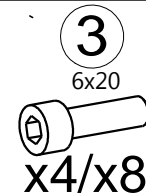
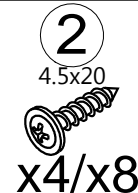
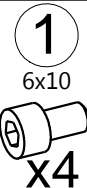
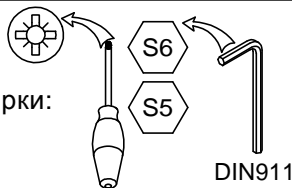
1/1

Surinkimo schema
Схема сборки
Assembling scheme

Reikalingi įrankiai:

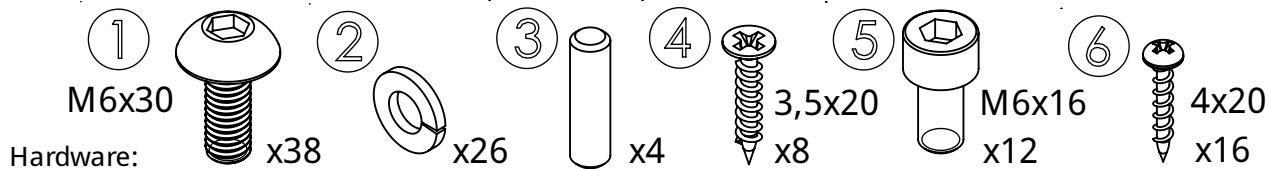
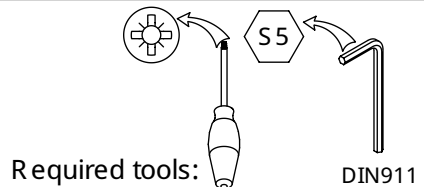
Инструменты для сборки:

Requiring tools:

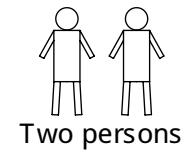
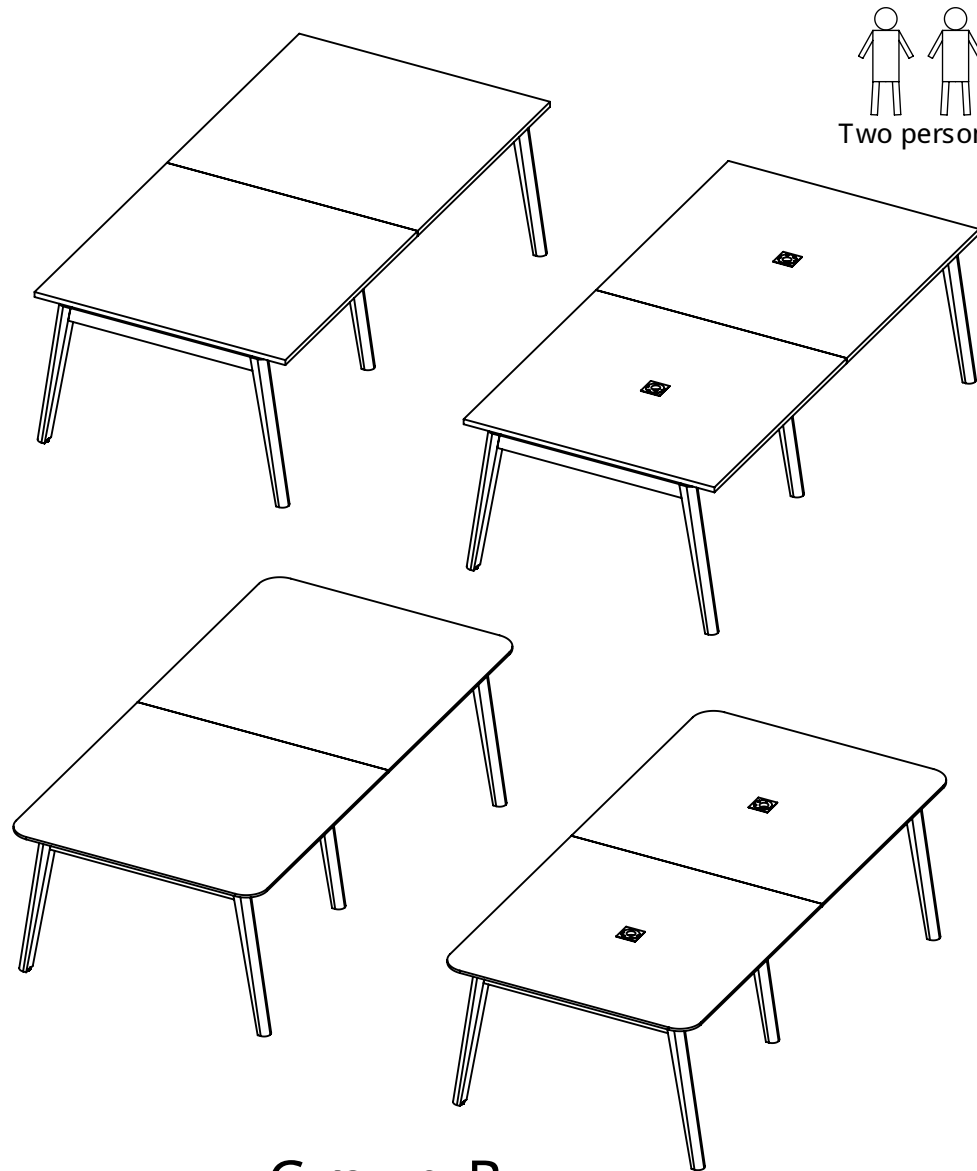
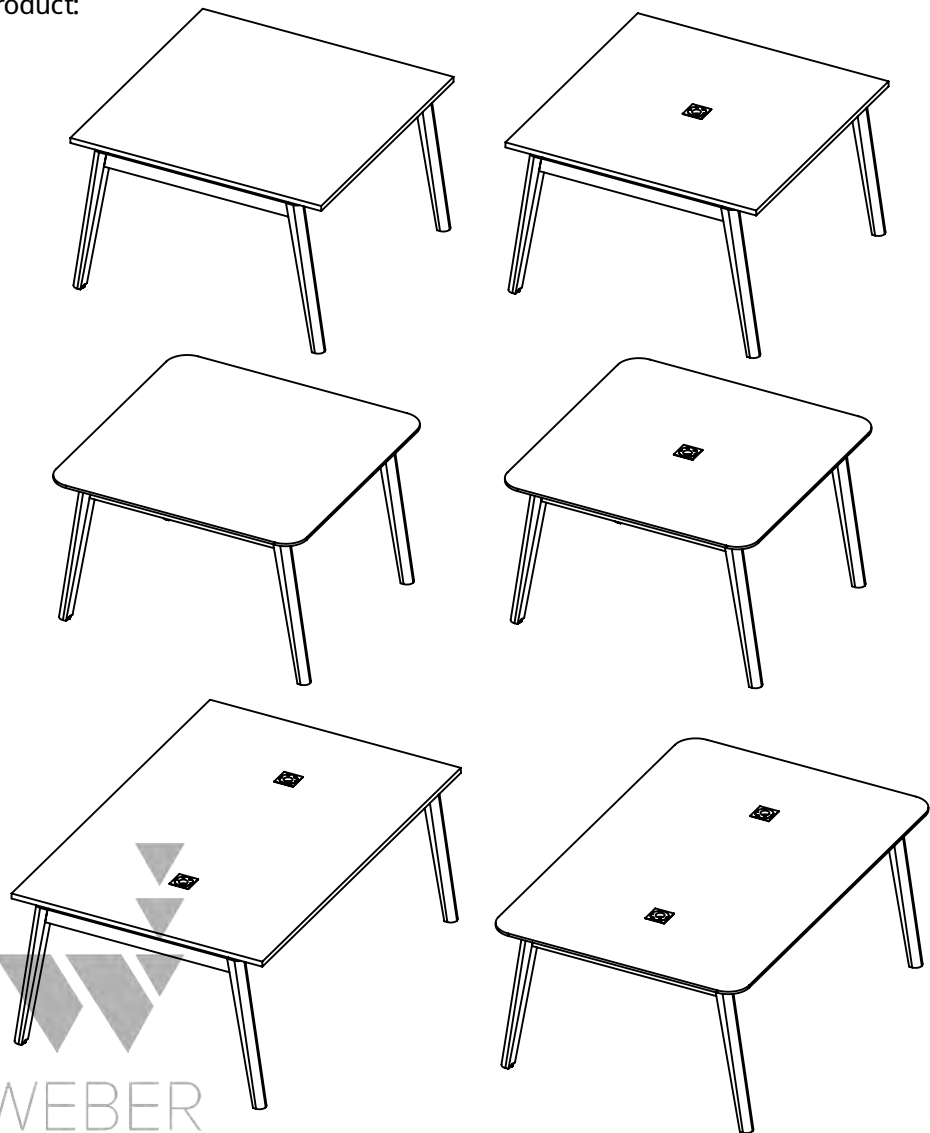


M60EN315 1 / 9

Assembling scheme



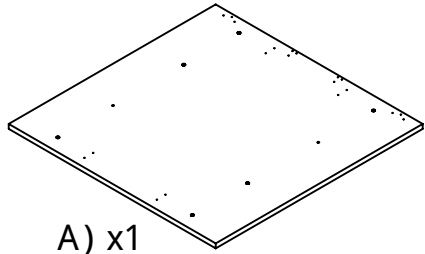
Product:



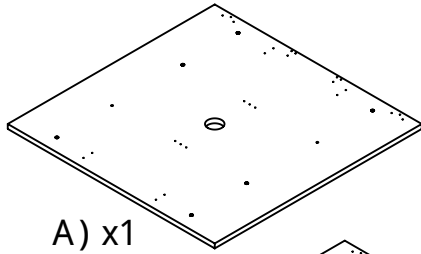
WEBER
BÜRO

Group A www.weberbuero.de

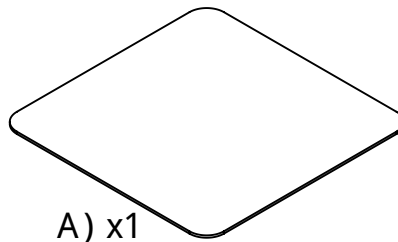
Group B



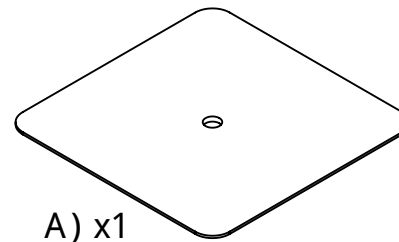
A) x1
B) x2



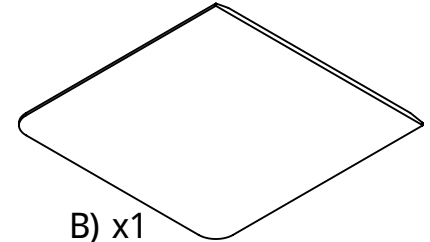
A) x1
B) x2



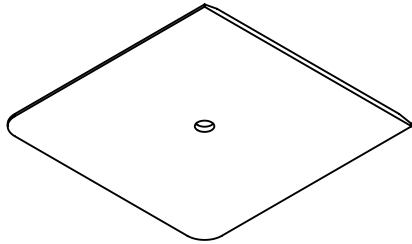
A) x1



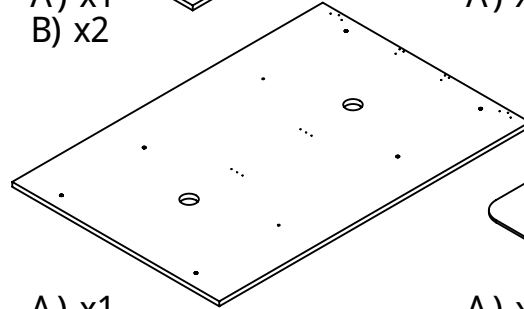
A) x1



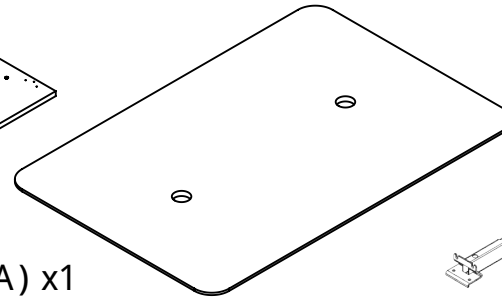
B) x1



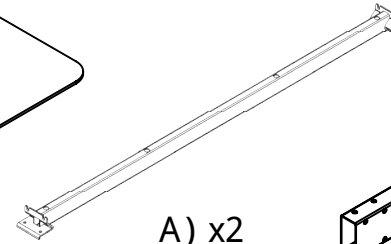
B) x2



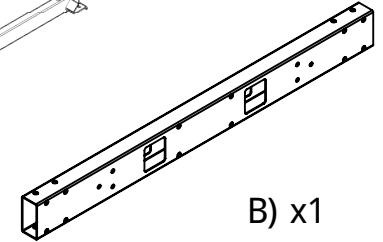
A) x1



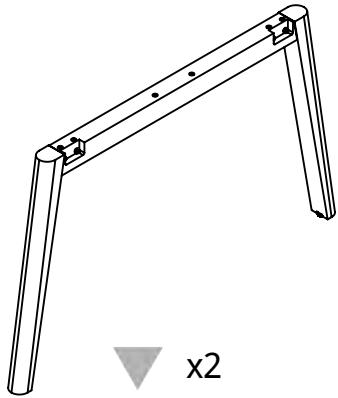
A) x1



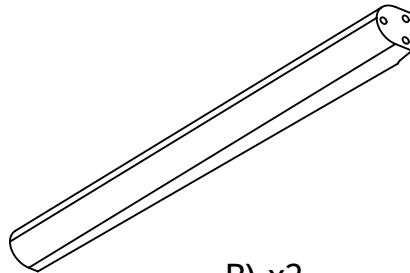
A) x2
B) x4



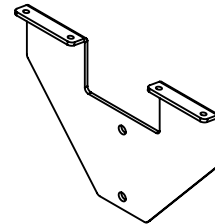
B) x1



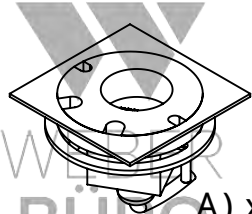
x2



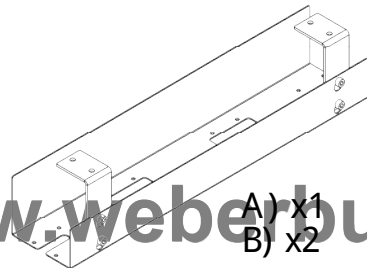
B) x2



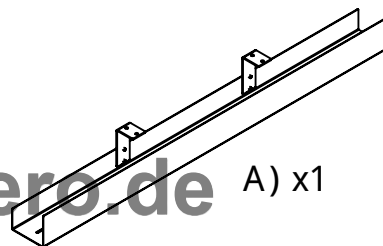
B) x2



A) x1/x2
B) x2

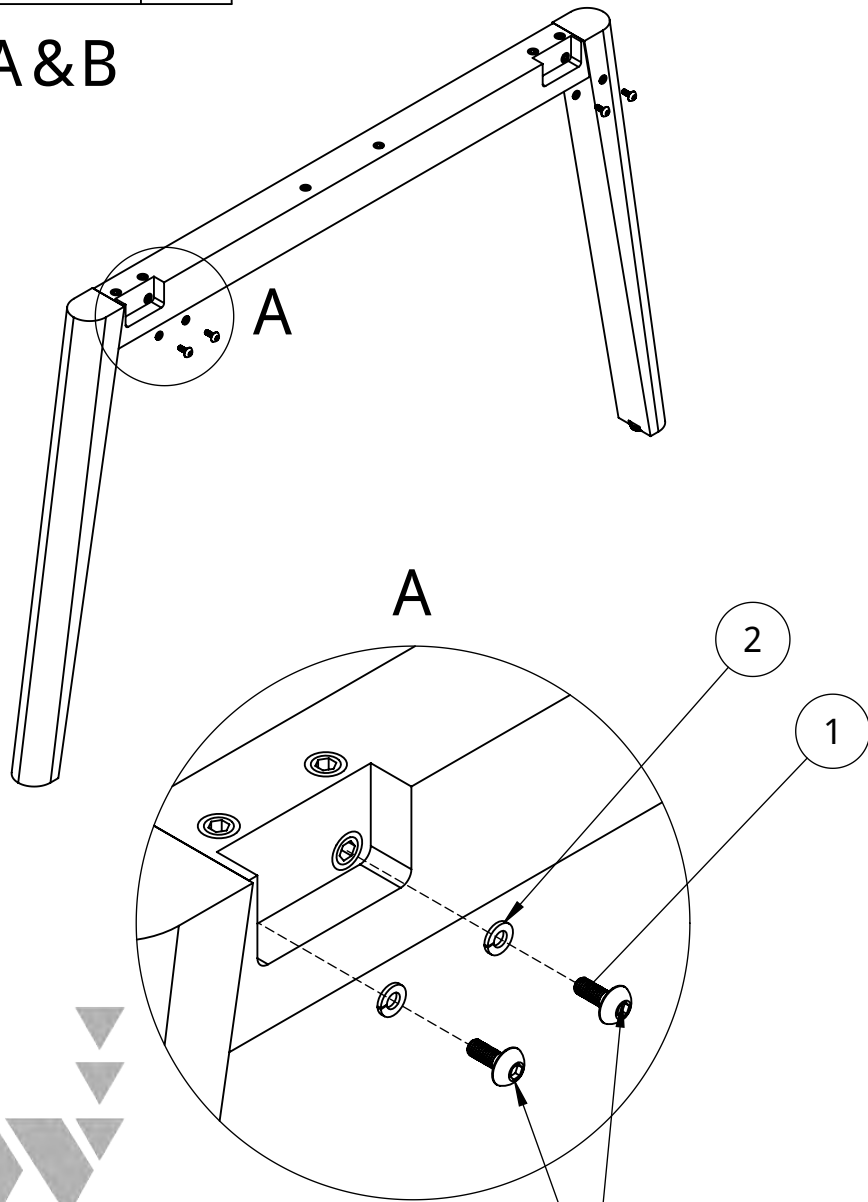


A) x1
B) x2

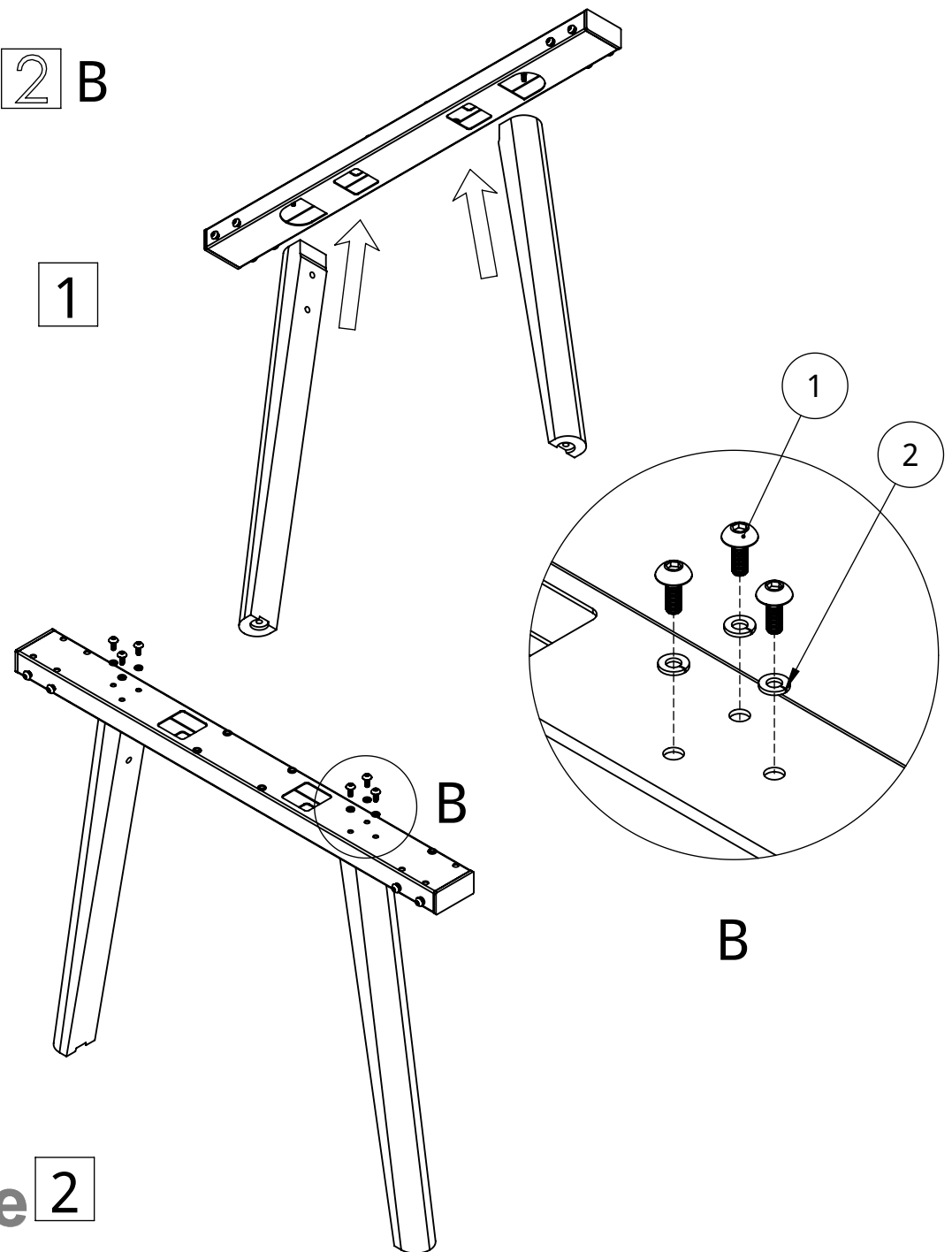


A) x1

1 A&B

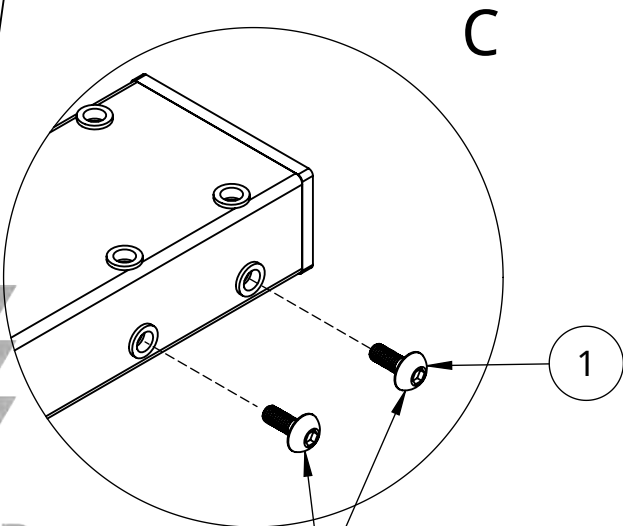
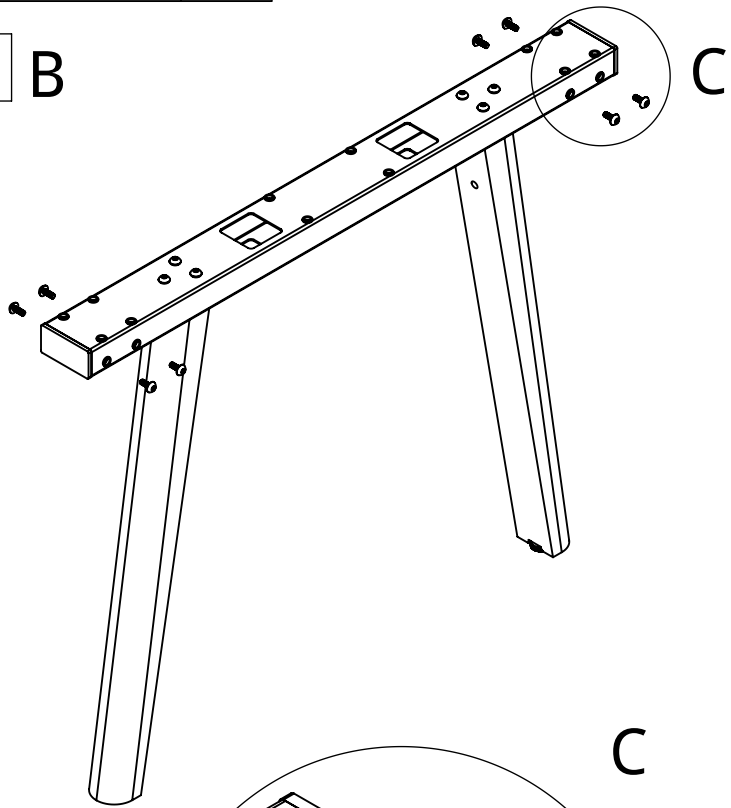


2 B



3

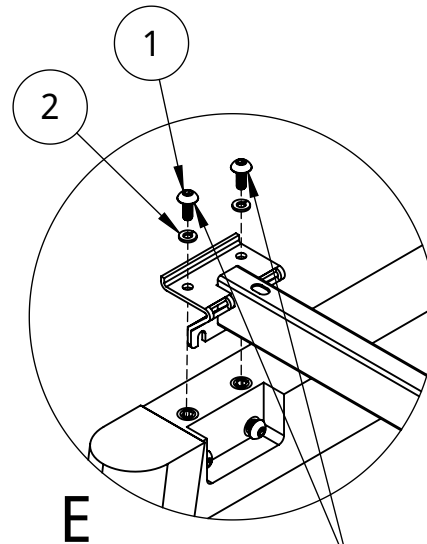
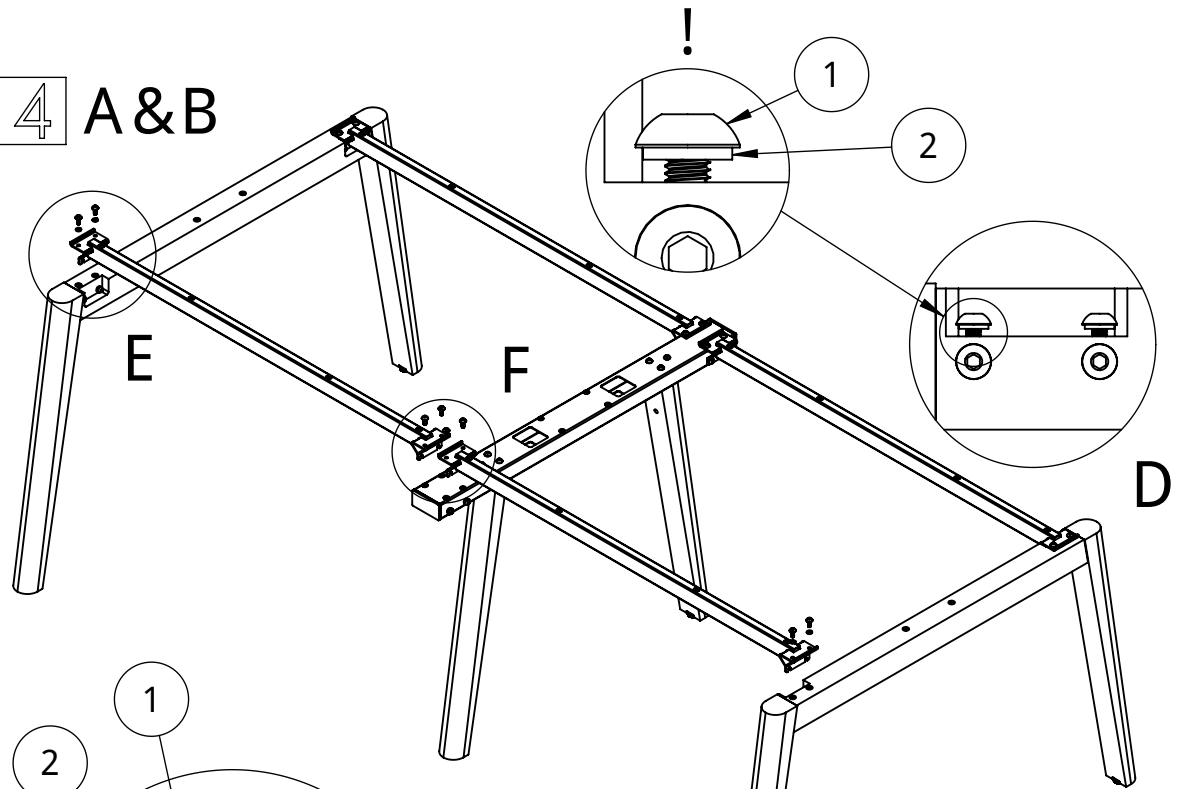
B



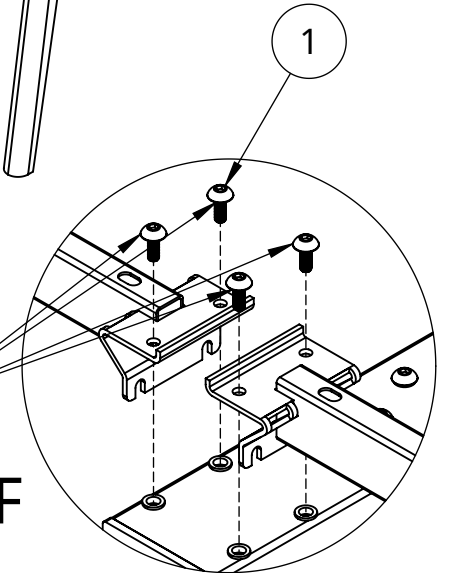
Do not tighten up

4

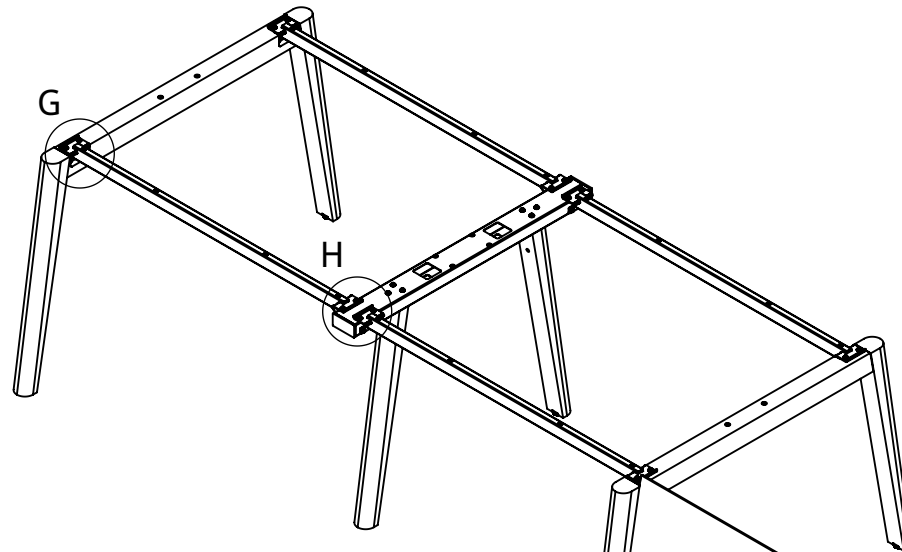
A&B



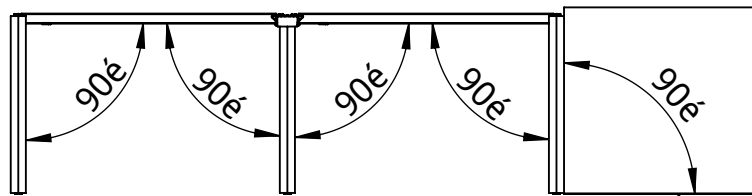
Do not tighten up



5 A&B

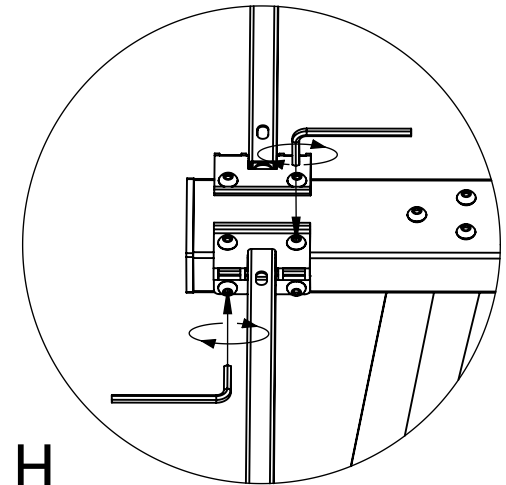
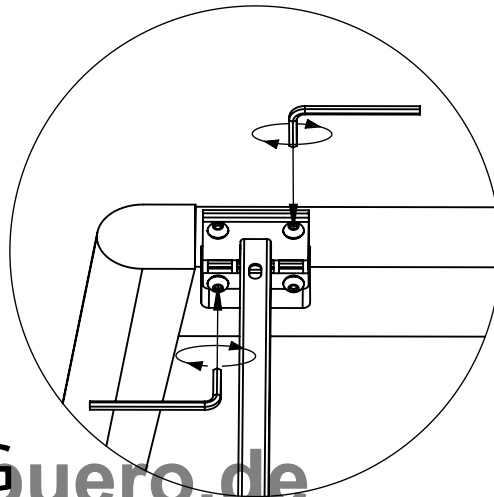


1

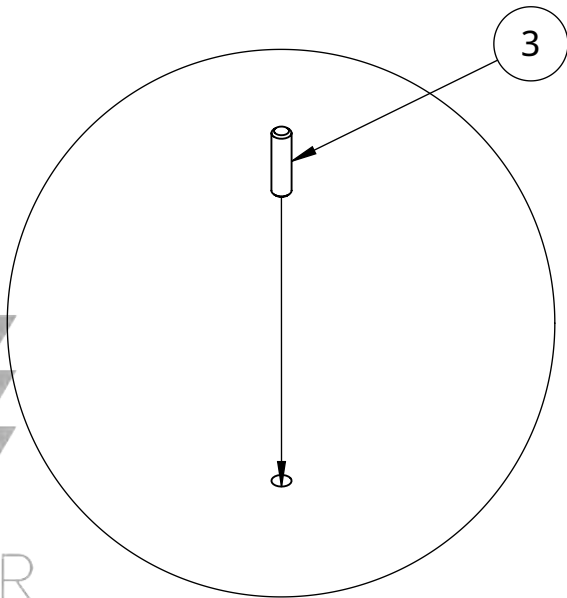
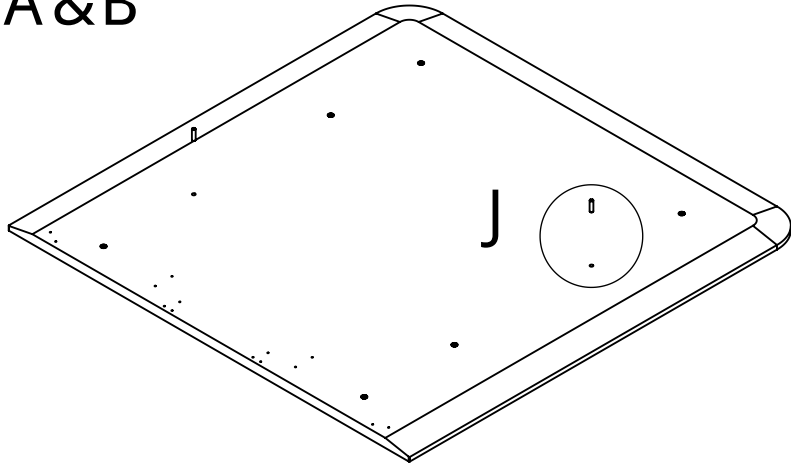


Desktop packaging cardboard

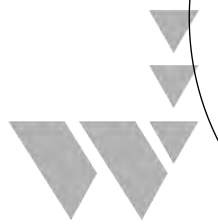
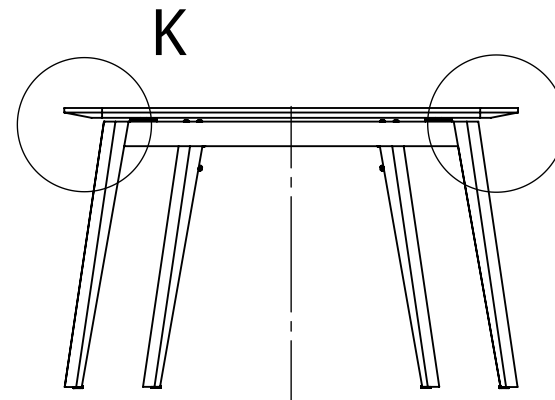
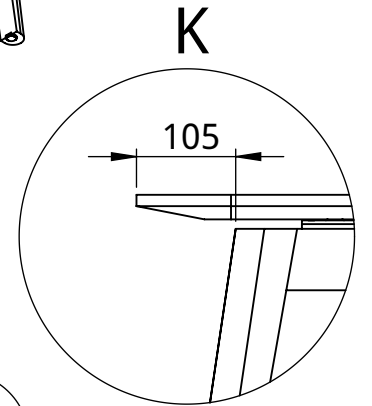
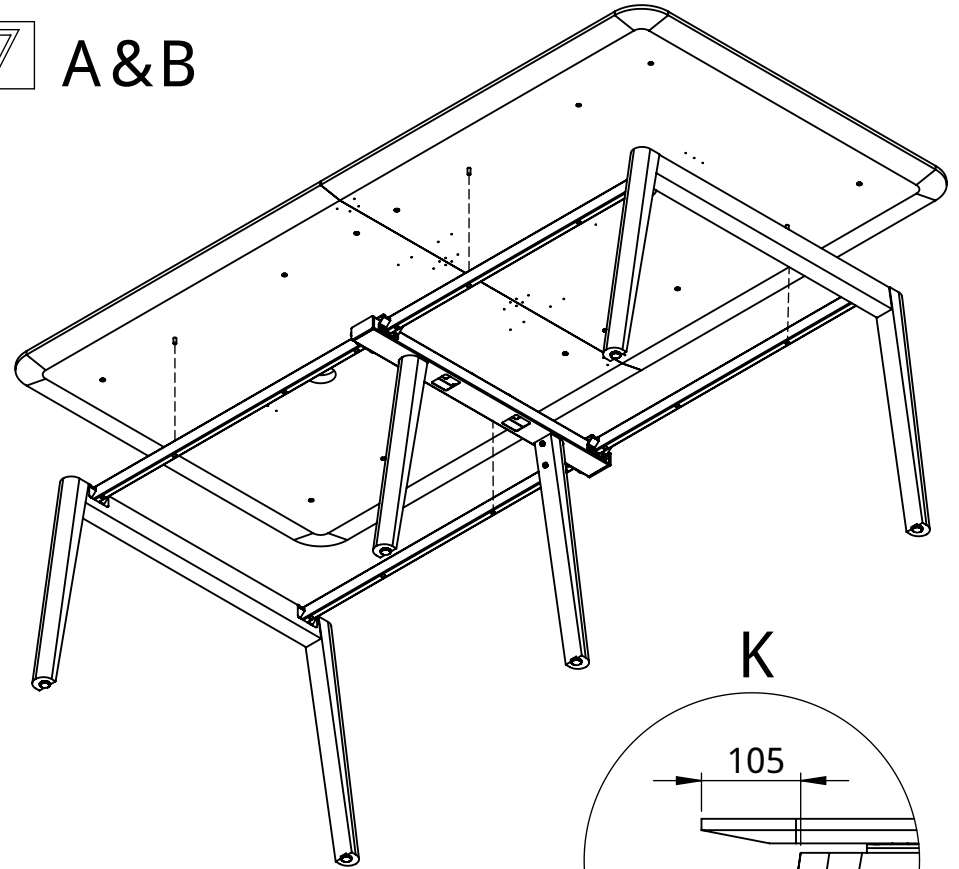
2 Tighten up



6 A&B



7 A&B

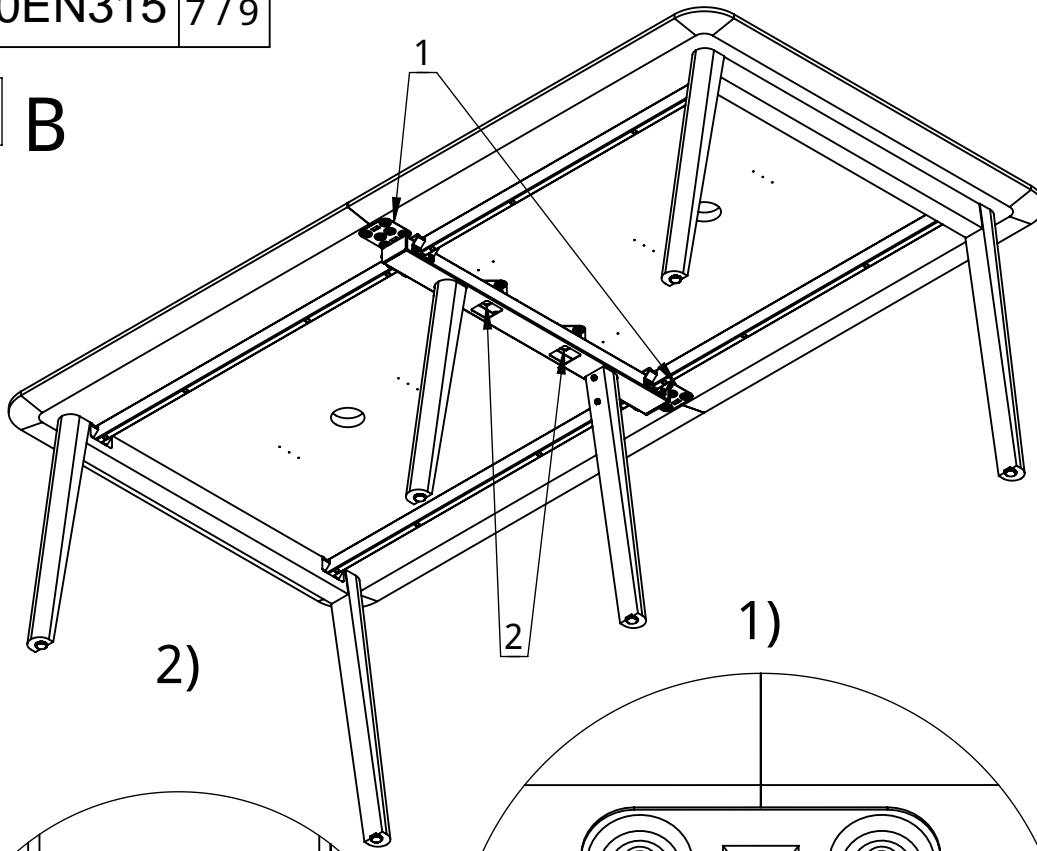


WEBER
BÜRO

www.weberbuero.de

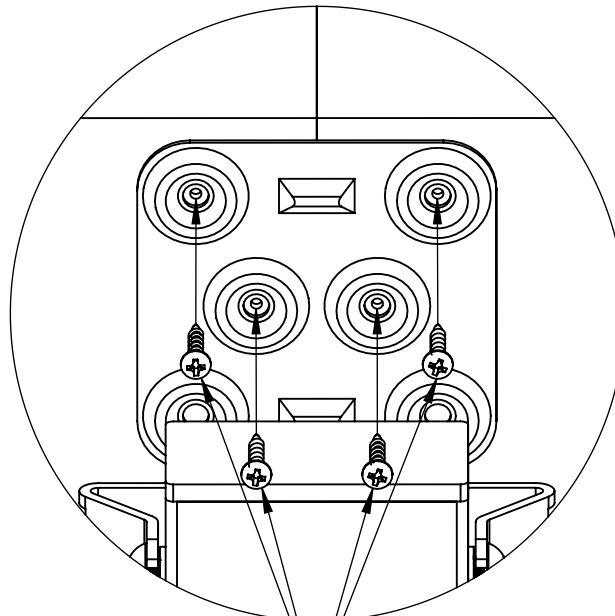
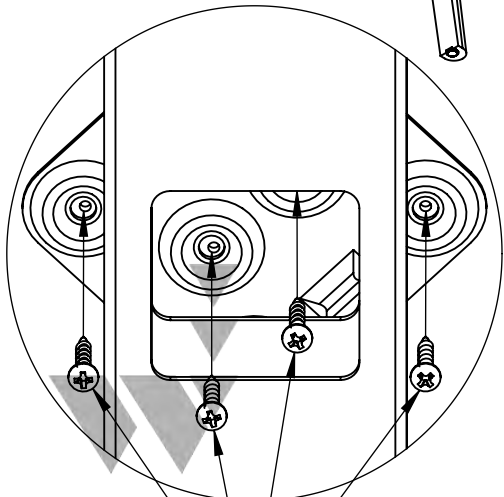


B



2)

1)

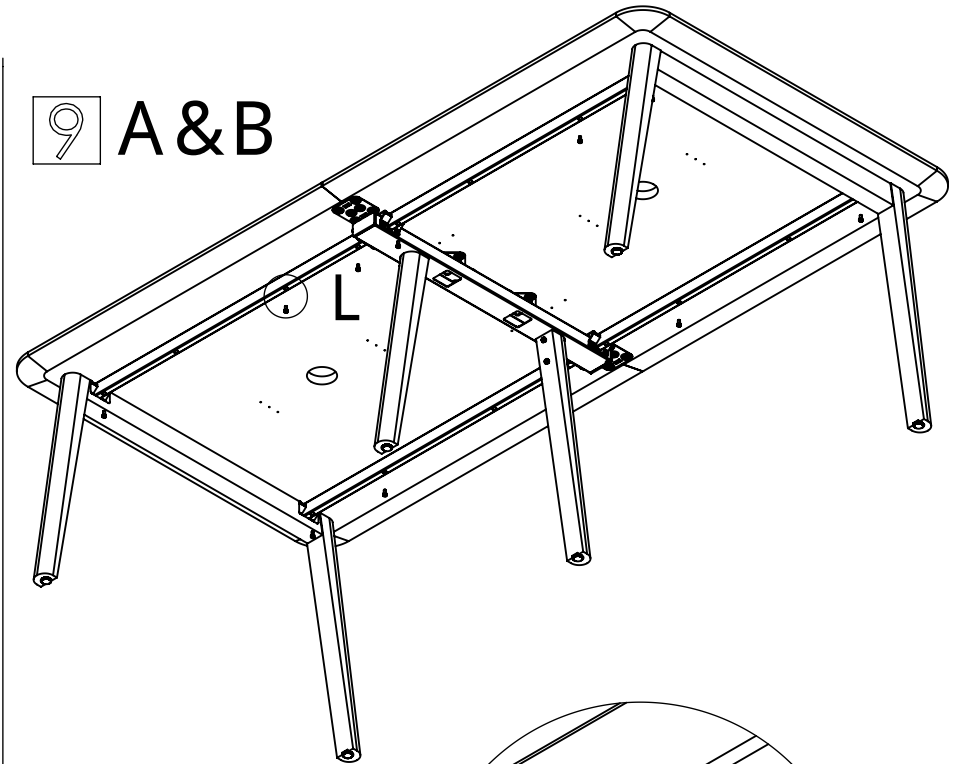


6

6

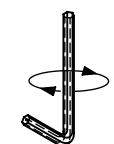
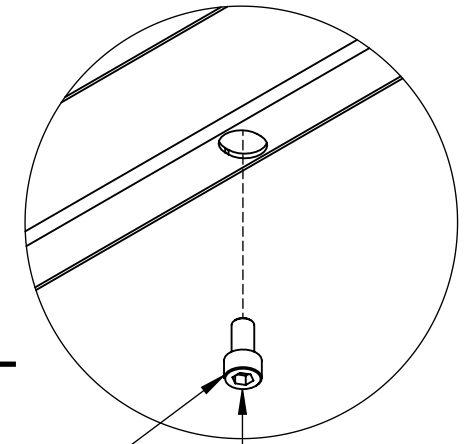


A&B

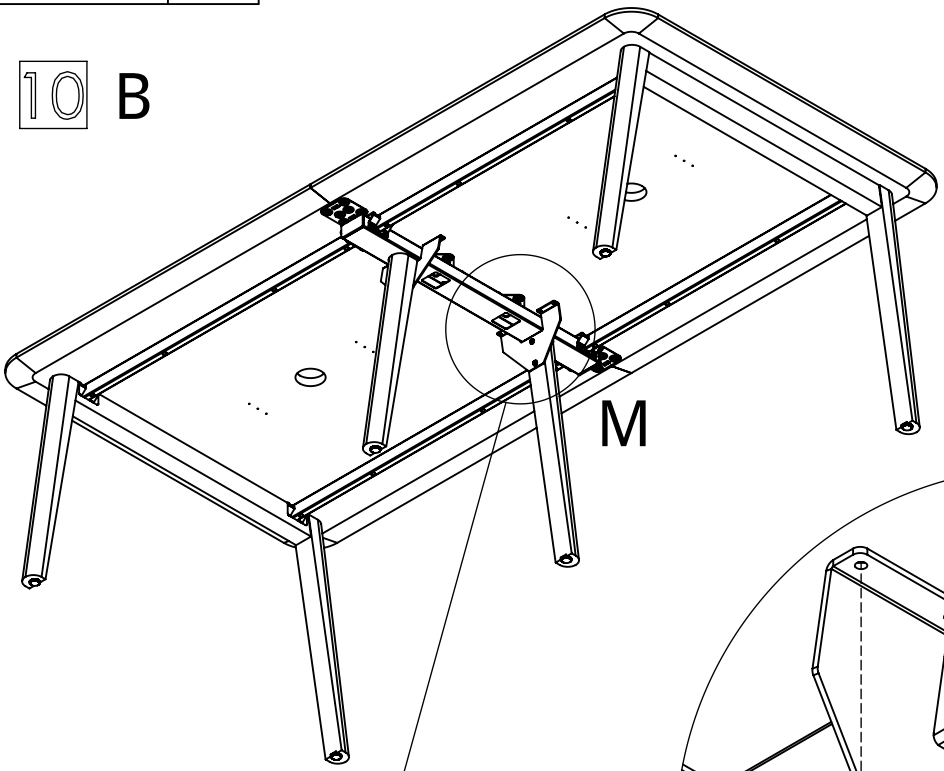


L

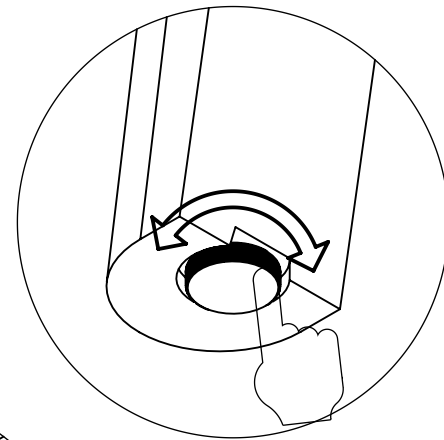
5



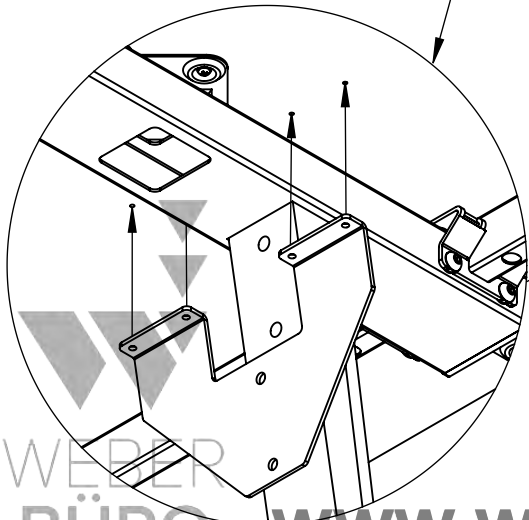
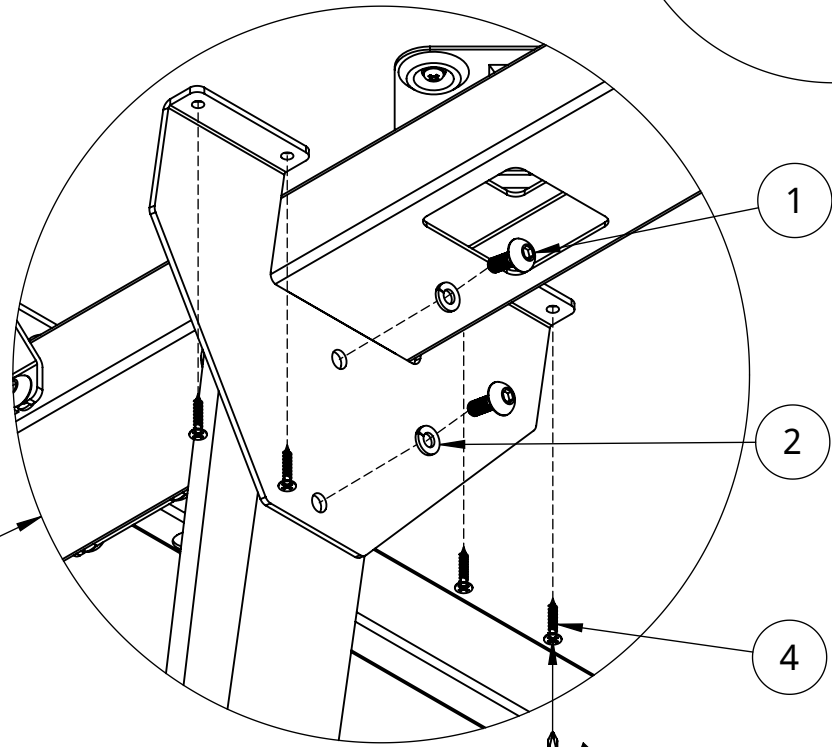
10 B



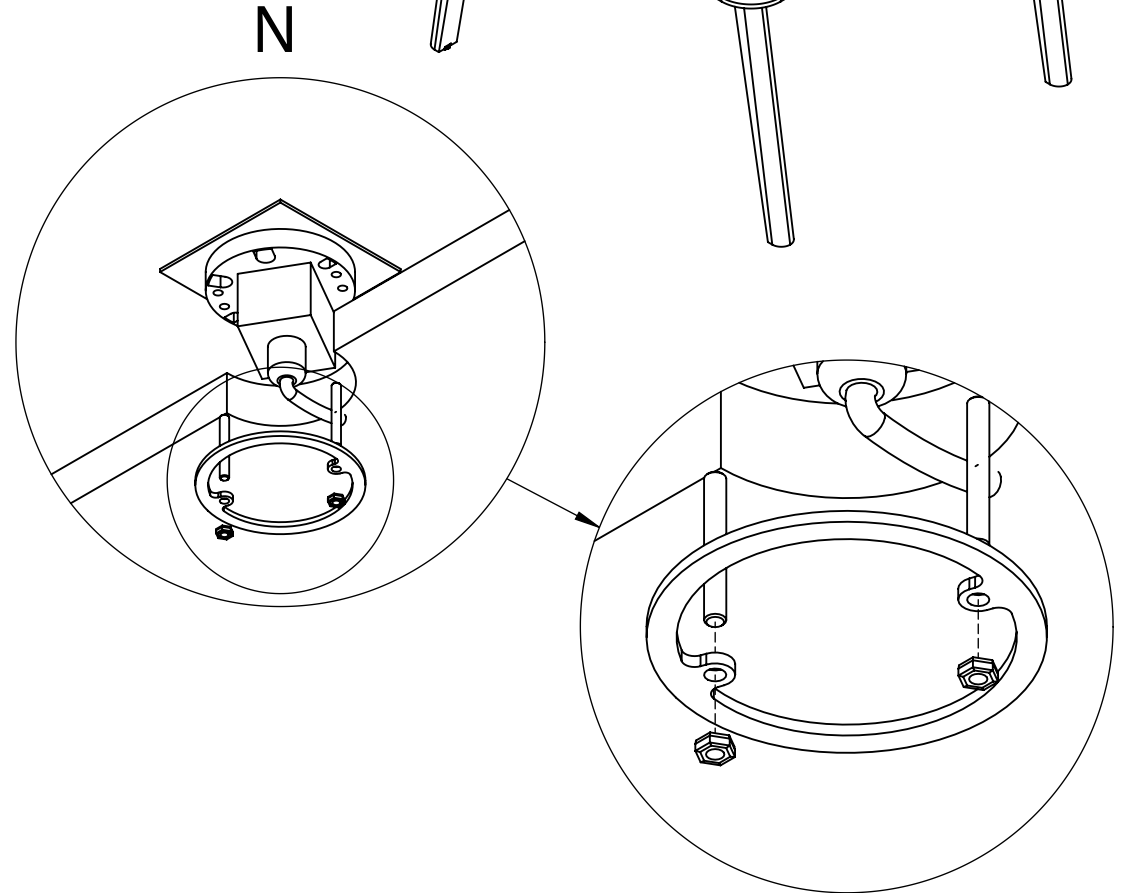
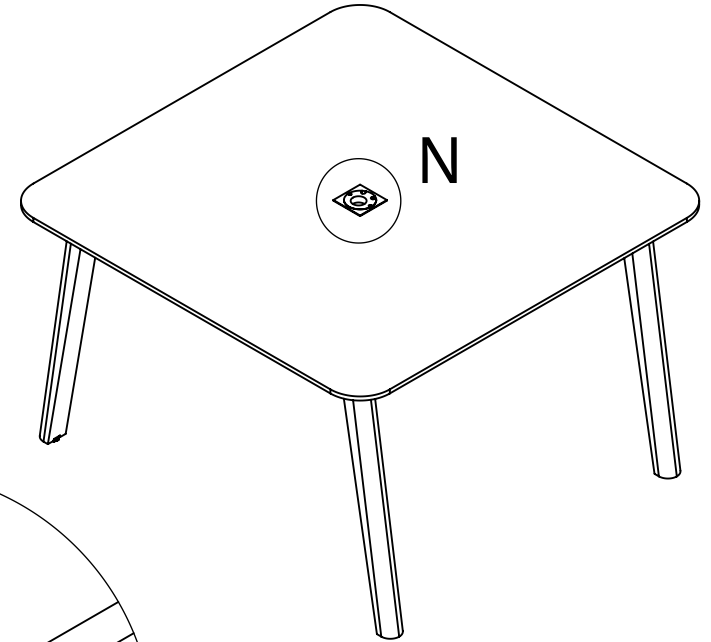
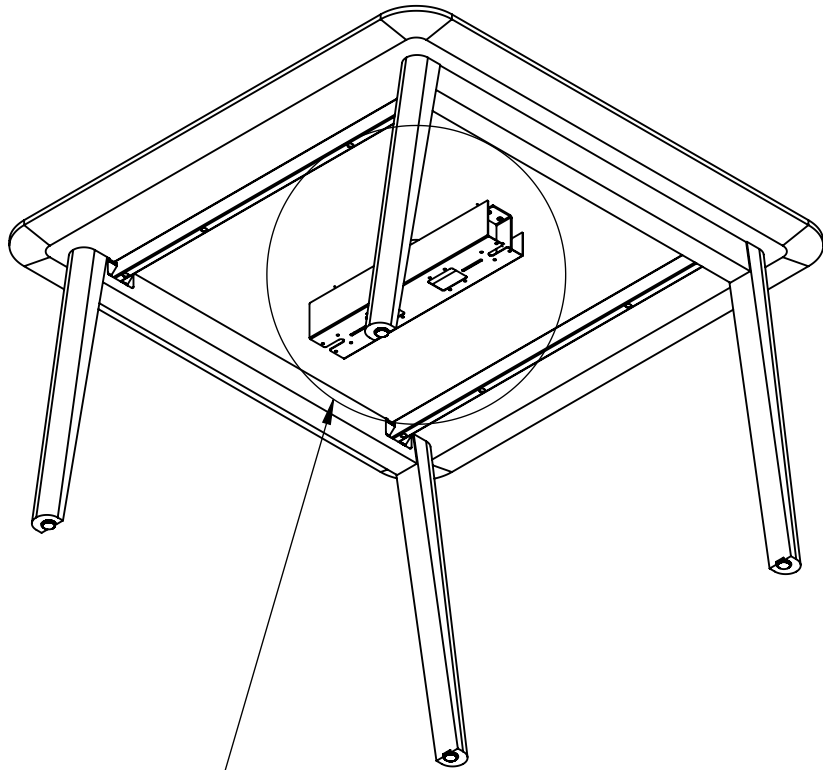
Adjust table height



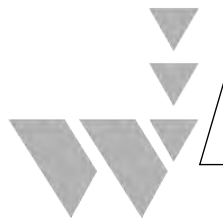
+10mm



11



For cable tray assembling, look at assembling scheme provided with cable tray

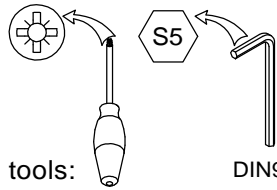


WEBER
BÜRO

www.weberbuero.de

M60EN316

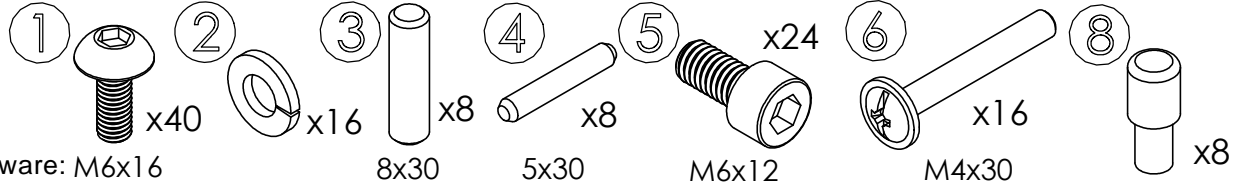
1 / 7



Required tools:

DIN911

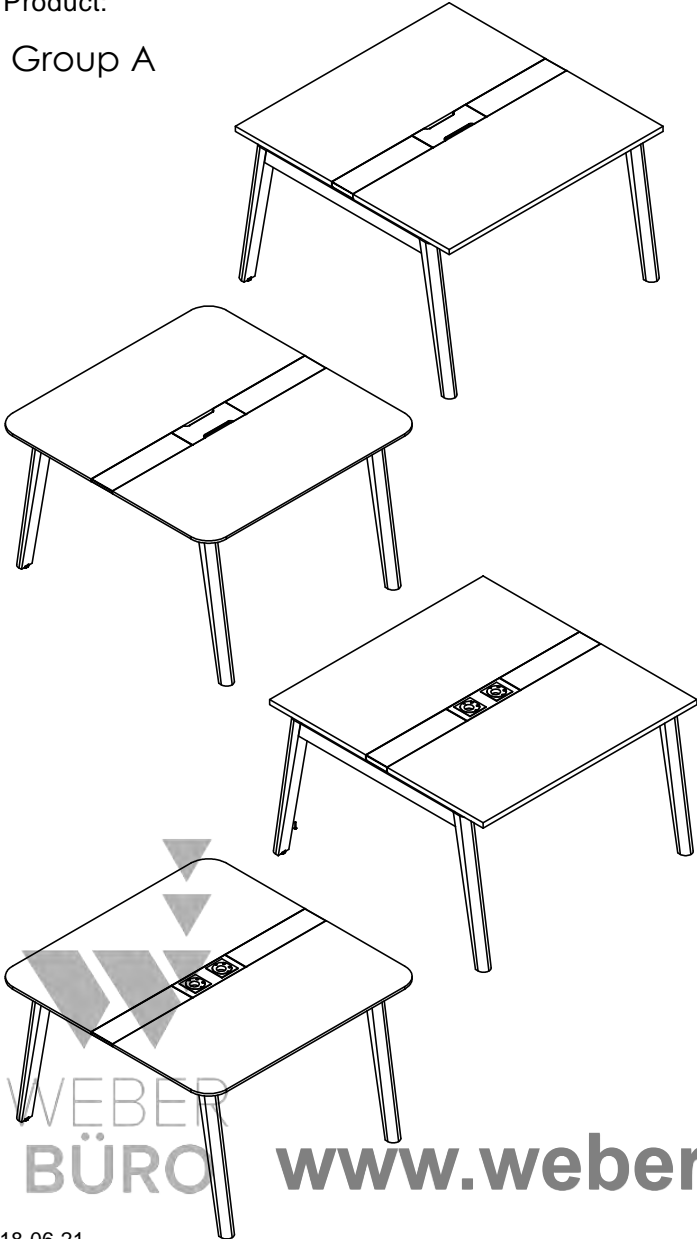
Hardware: M6x16



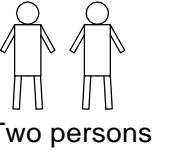
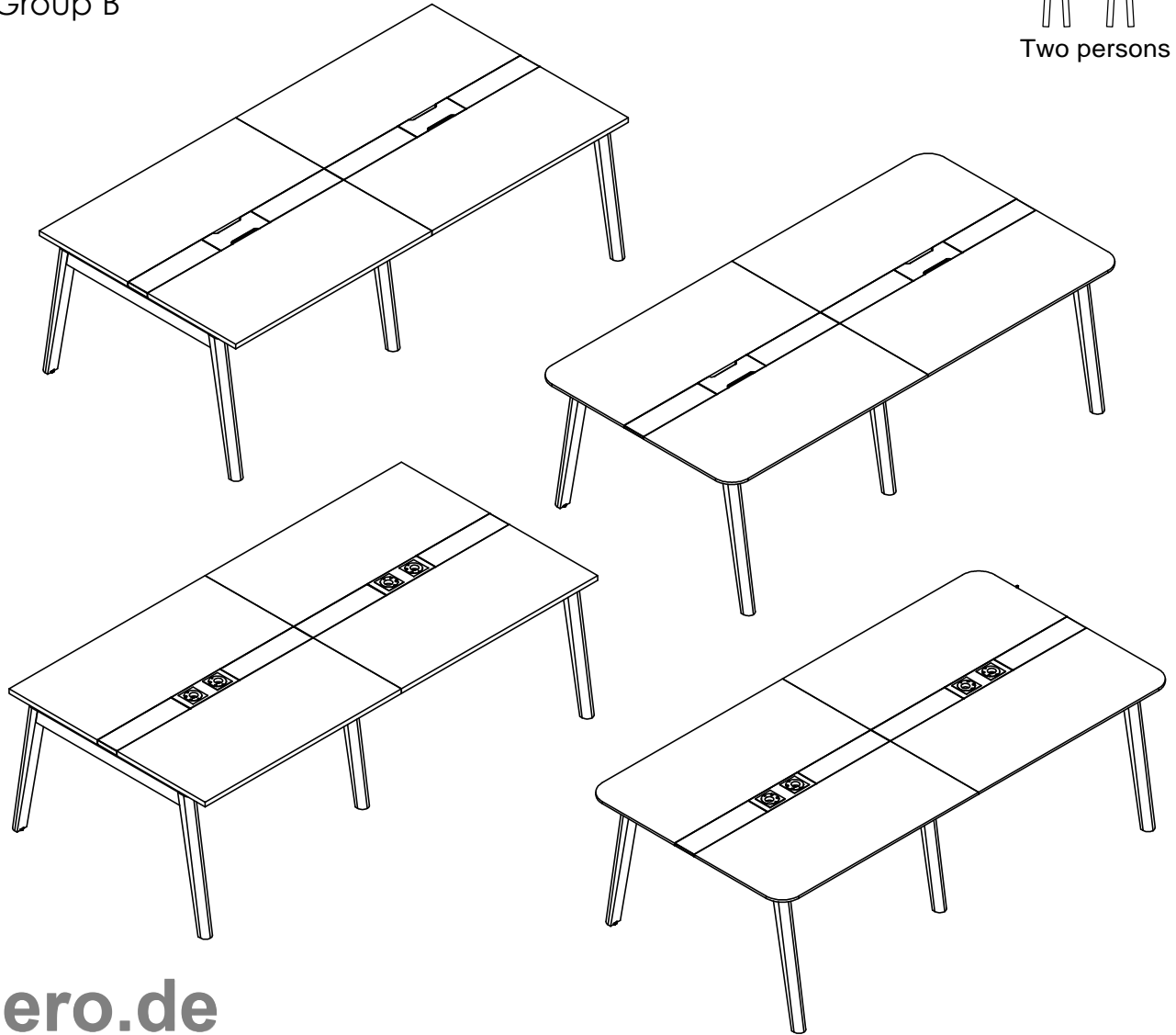
Assembling scheme

Product:

Group A



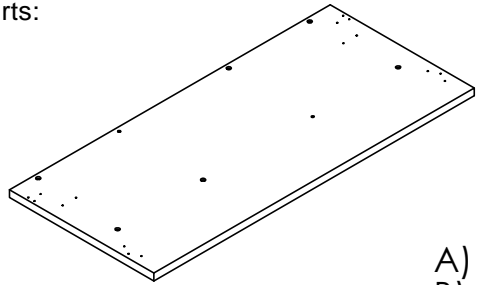
Group B



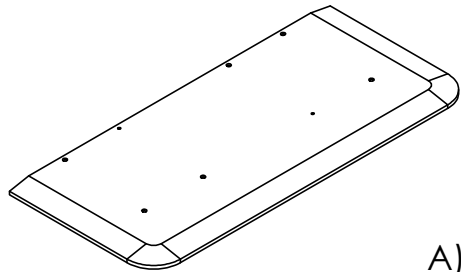
WEBER
BÜRO

www.weberbuero.de

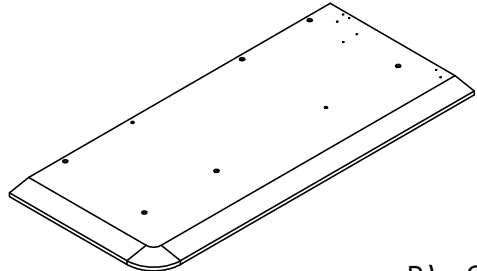
Parts:



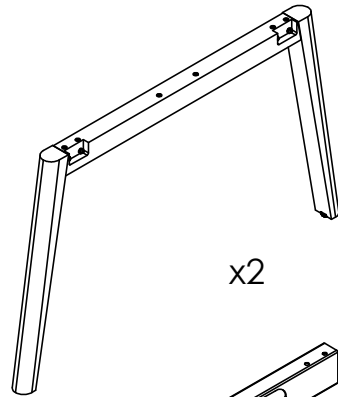
A) x2
B) x4



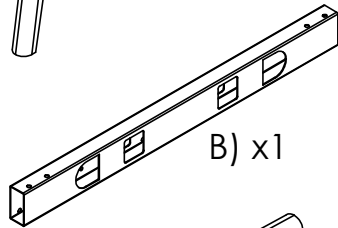
A) x2



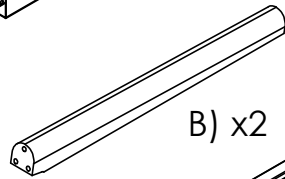
B) x2



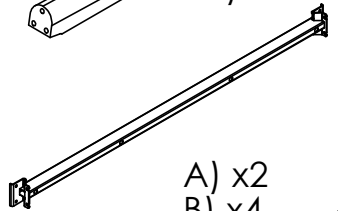
x2



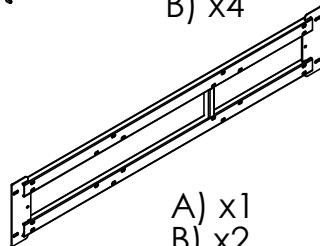
B) x1



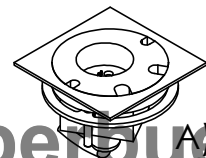
B) x2



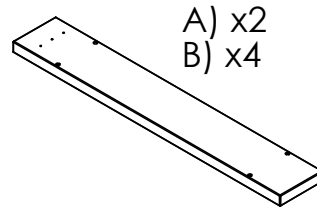
A) x2
B) x4



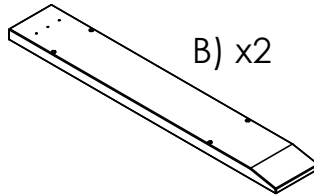
A) x1
B) x2



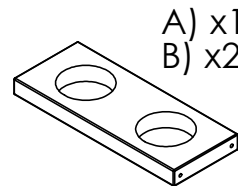
A) x1
B) x2



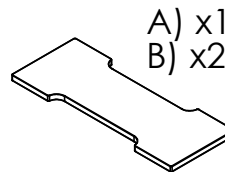
A) x2
B) x4



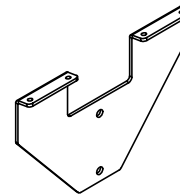
B) x2



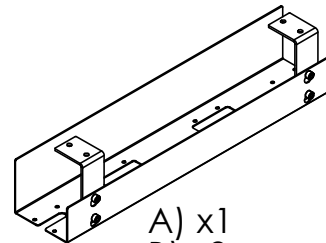
A) x1
B) x2



A) x1
B) x2



B) x2



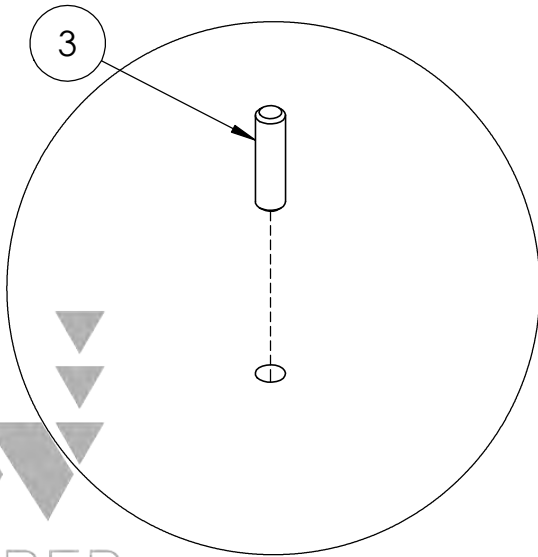
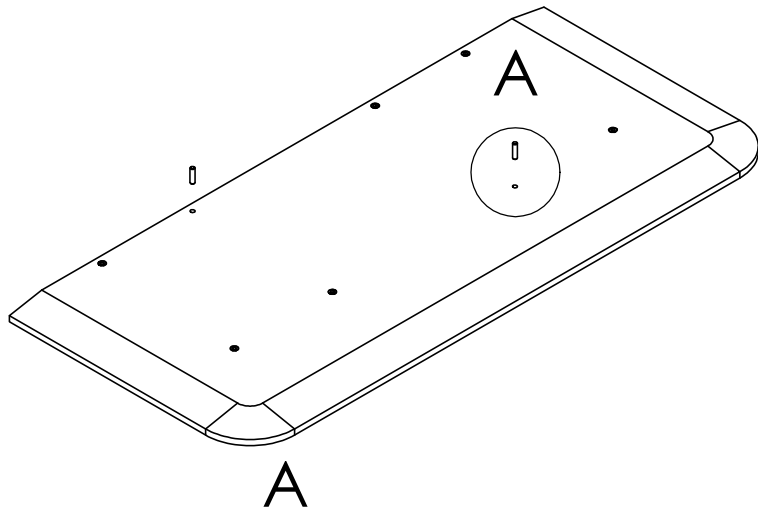
A) x1
B) x2



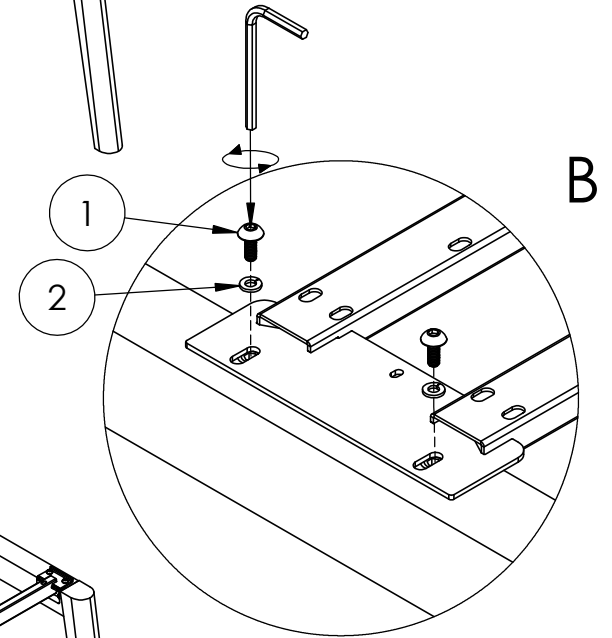
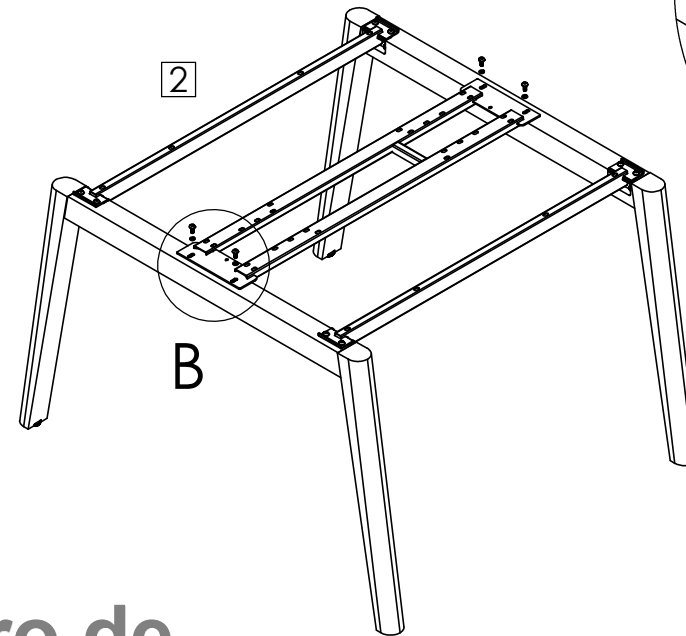
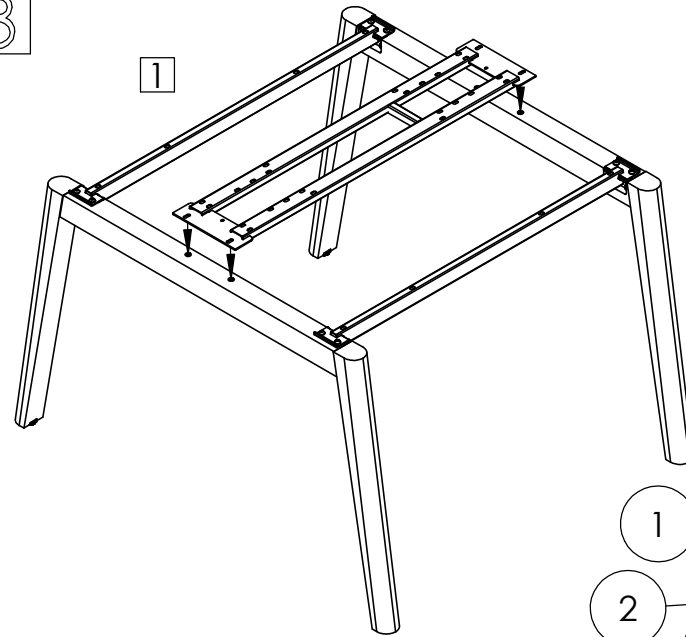
For legs assembling, look at assembling scheme M60EN289 page 3 and 4 (Group A and Group B seperated)



2

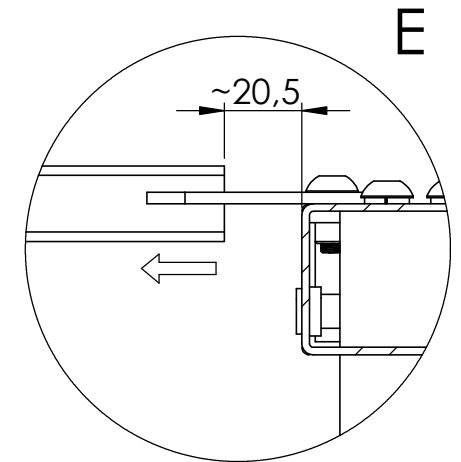
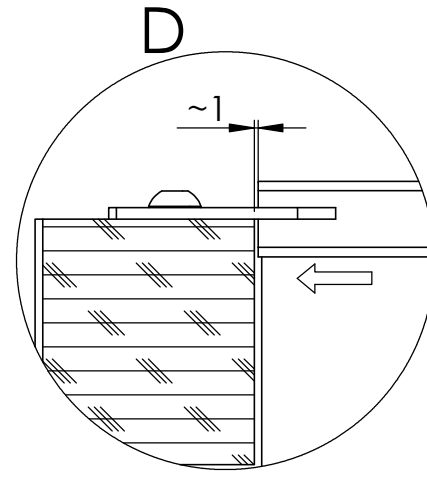
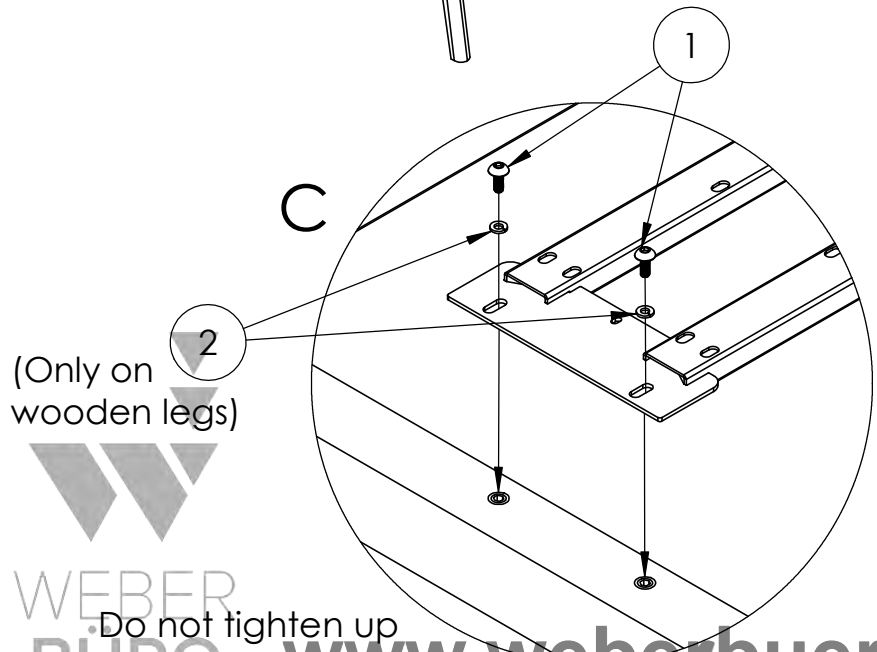
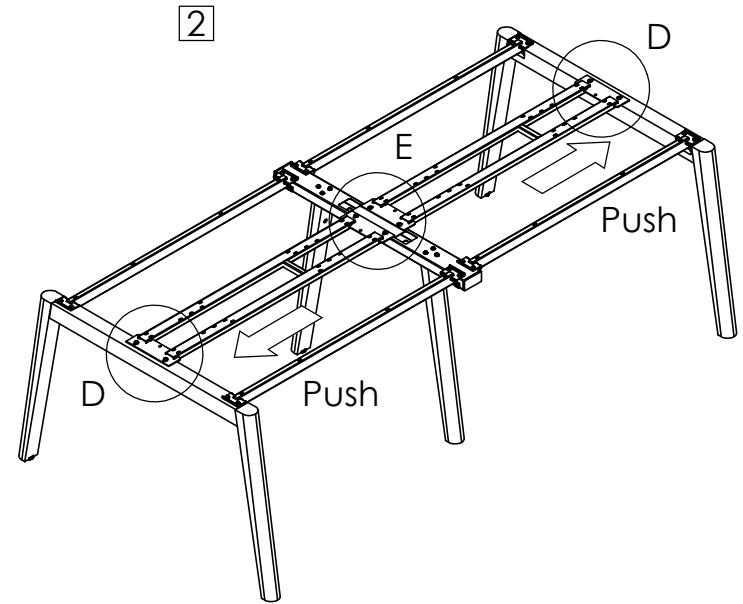
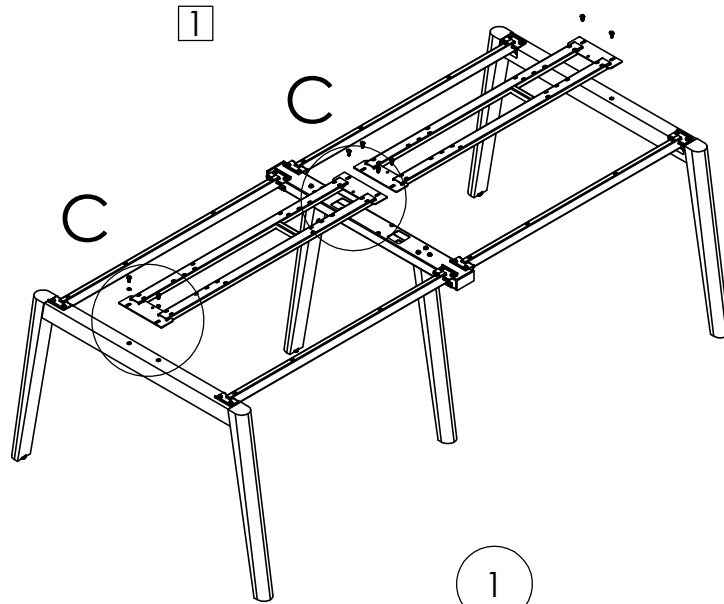


3



IMPORTANT!

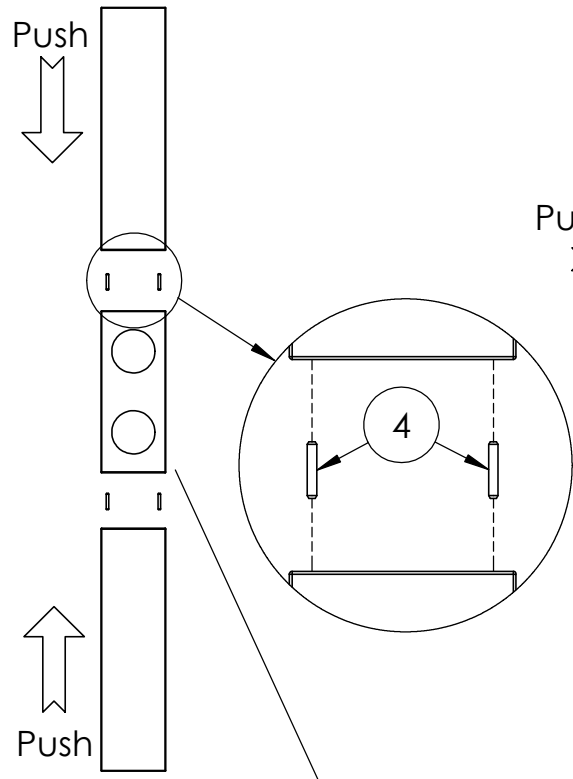
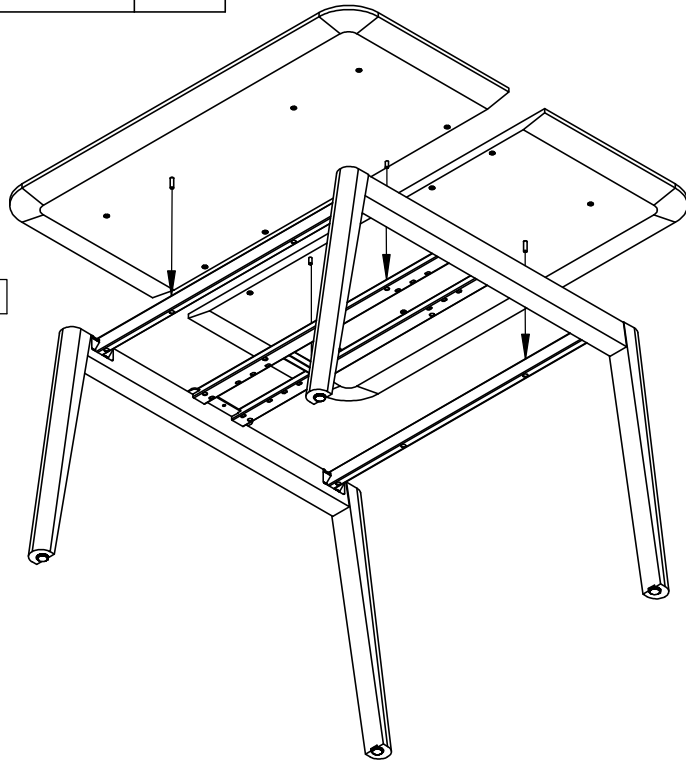
At any bench combination (with central leg),
always push middle frame to wooden leg when
assembling



(Only on
wooden legs)

4

1

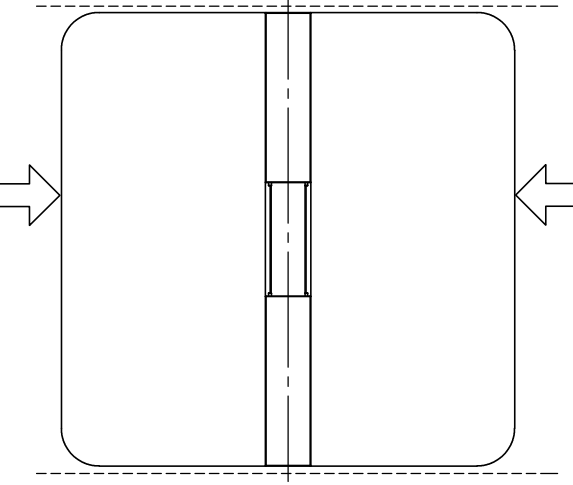


3

Set all edges in line

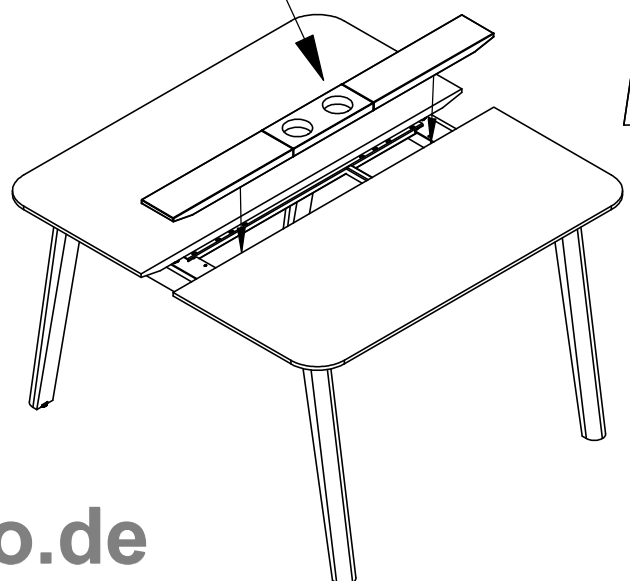
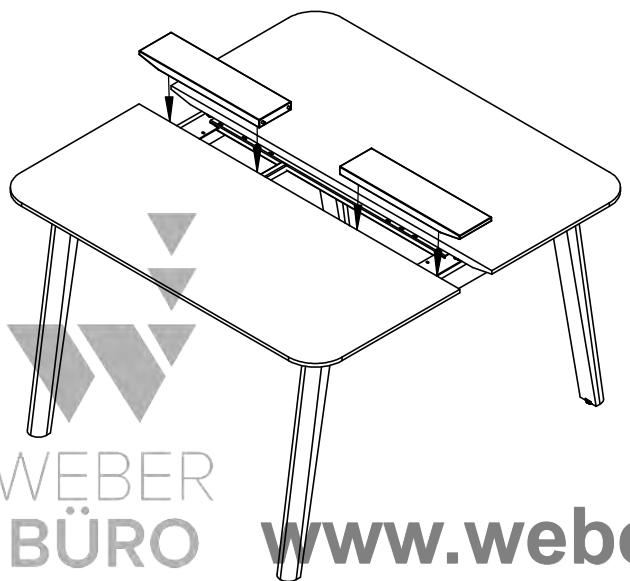
Push

Push



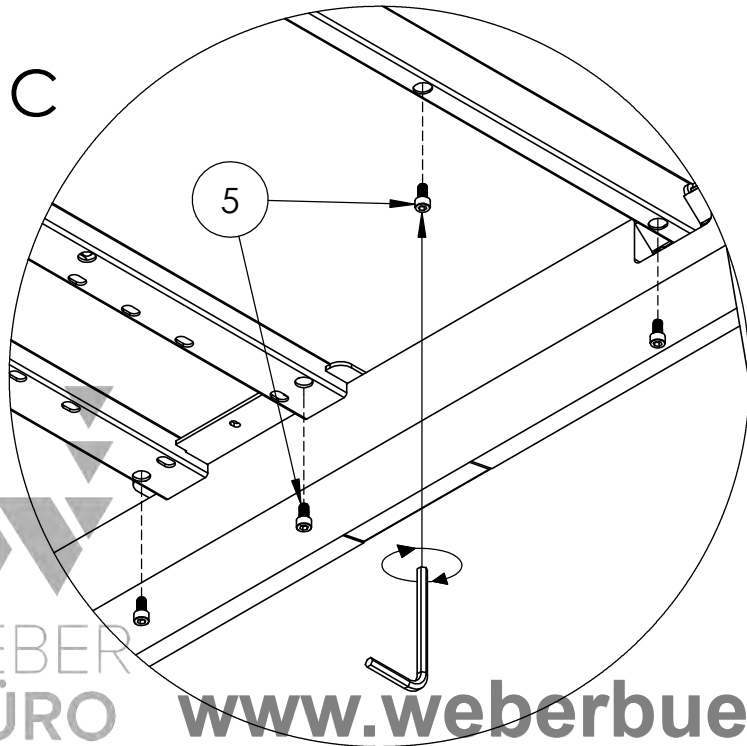
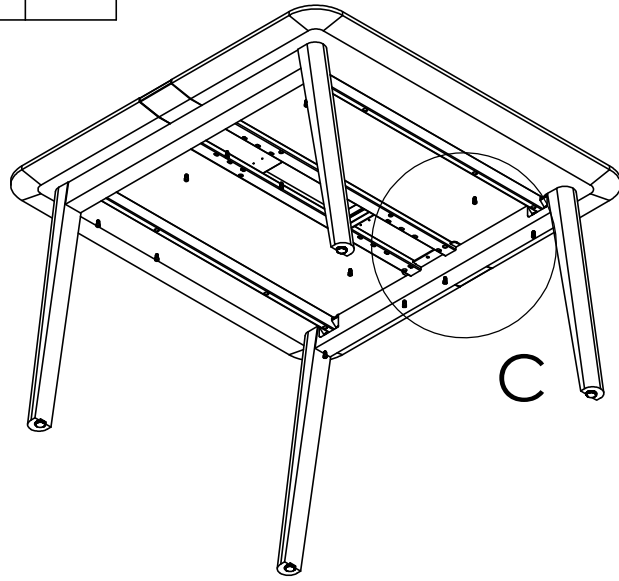
2

OR

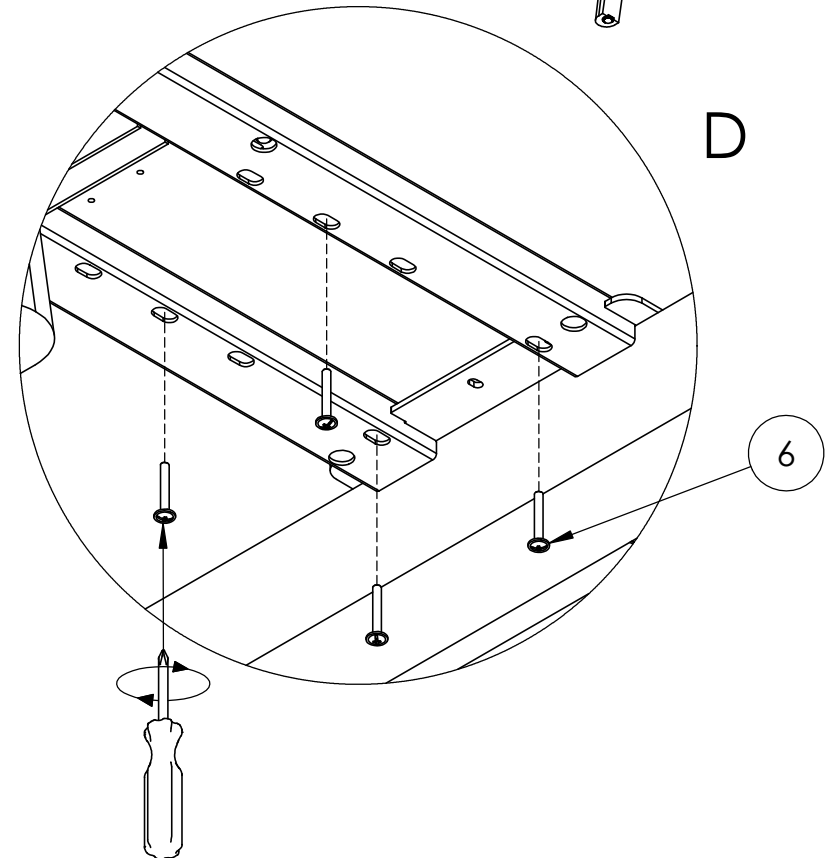
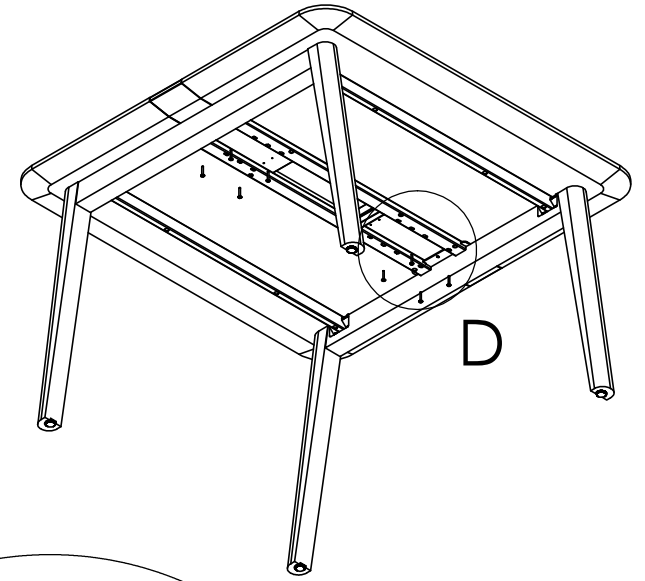


Center all desktop parts

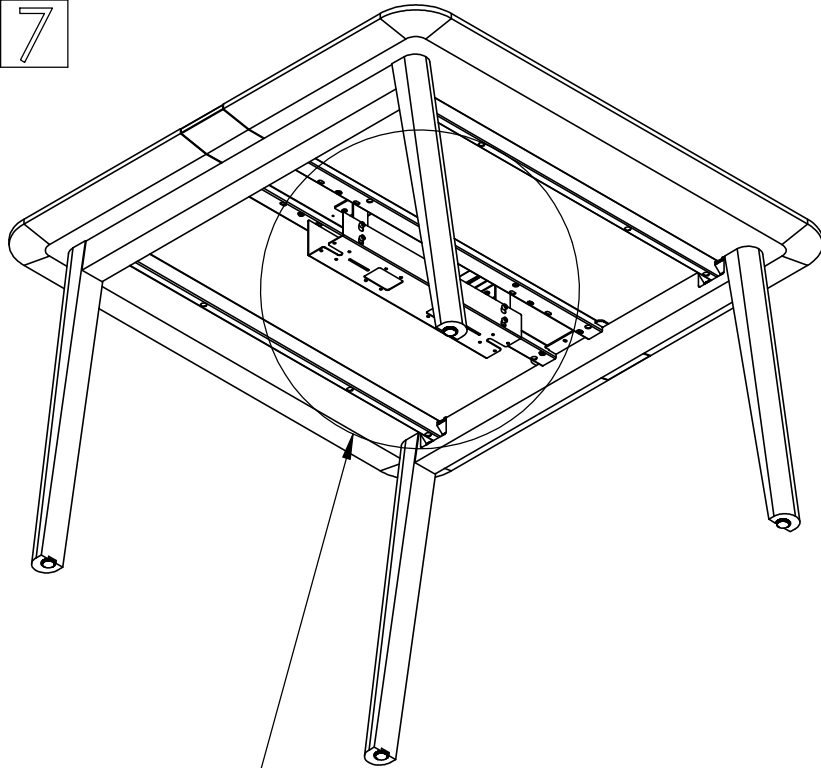
5



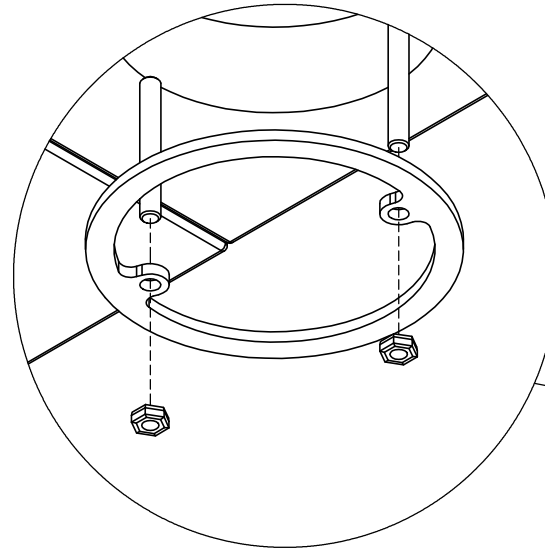
6



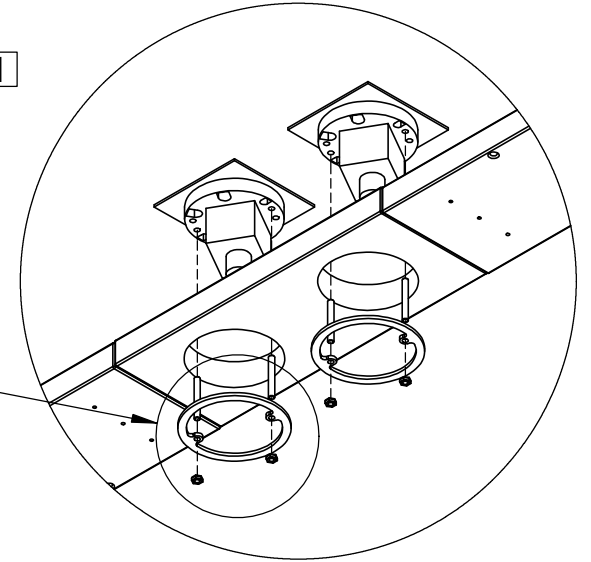
7



For cable tray assembling, look at assembling scheme provided with cable tray



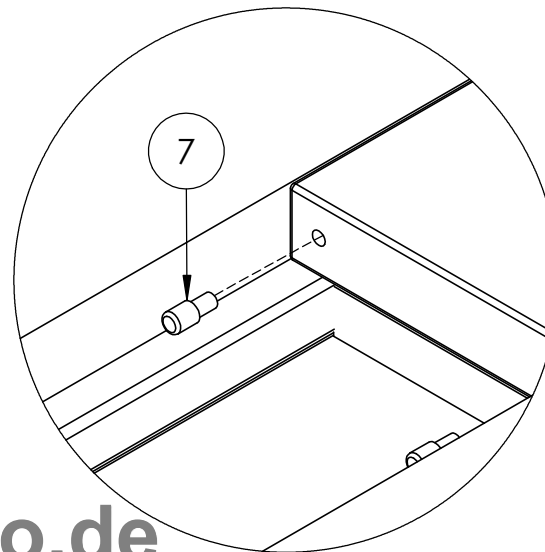
1



1 Cable tray assembling

OR

2 Cable tray assembling



2

