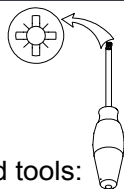


M60EC004

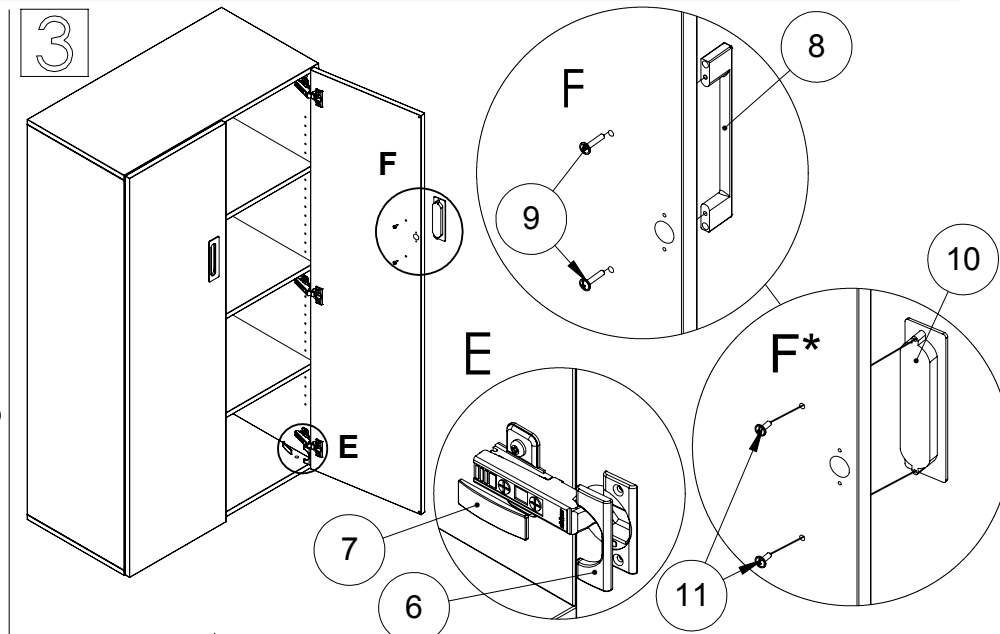
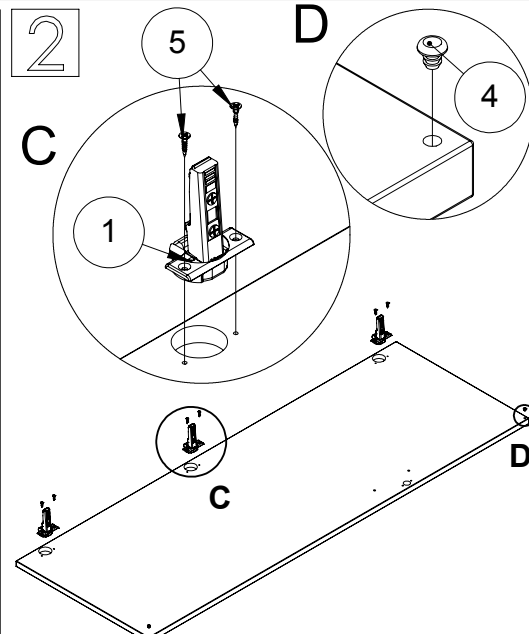
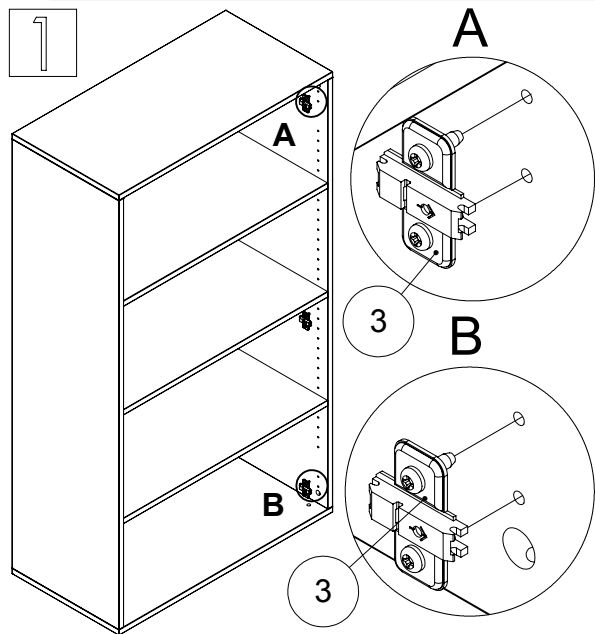
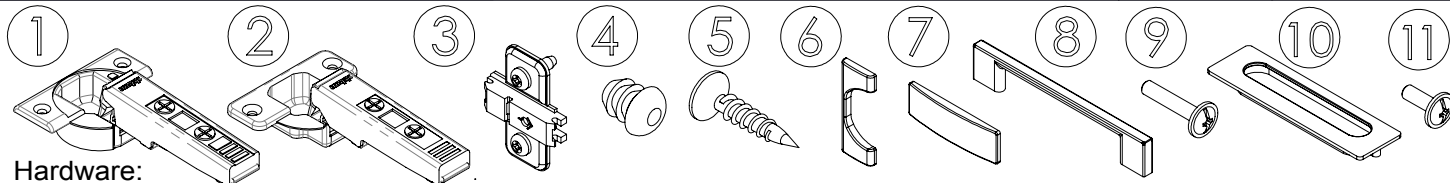
1 / 1

Assembling scheme

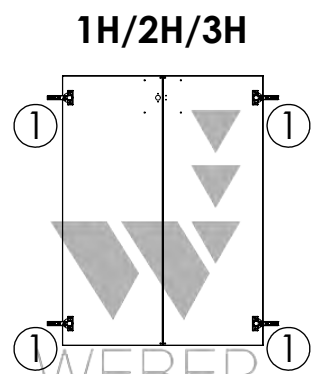
Required tools:



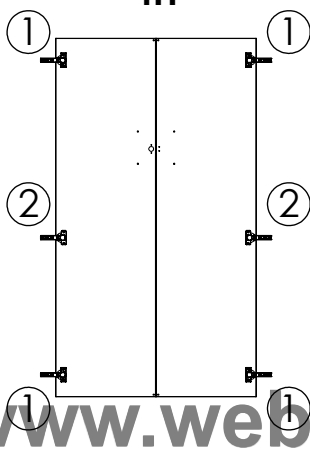
Hardware:



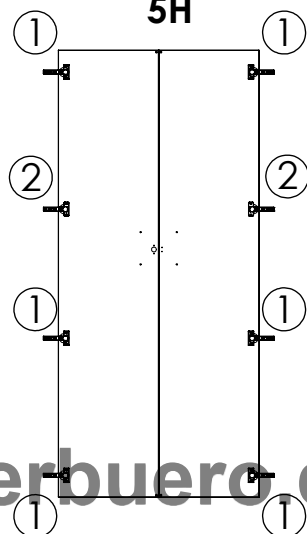
Hinge positions



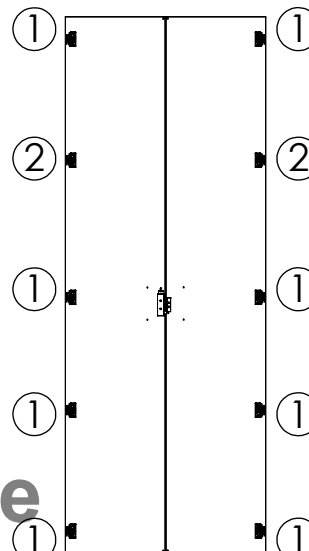
4H



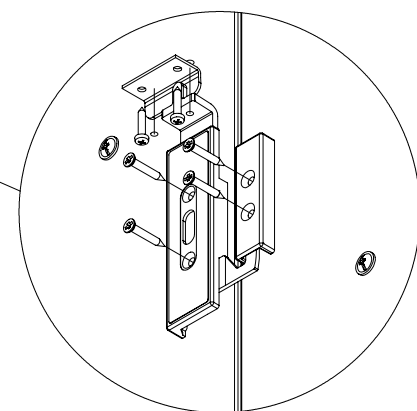
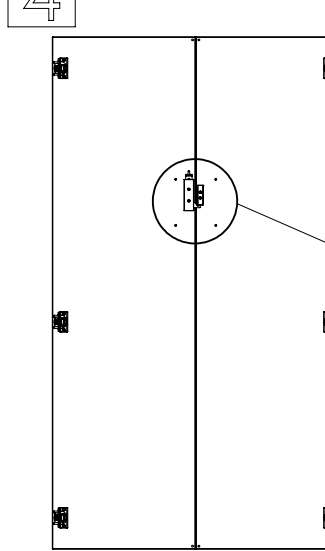
5H



6H



4



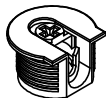
With lock

M60EC108 1 / 1

Reikalingi įrankiai:



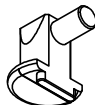
1



2



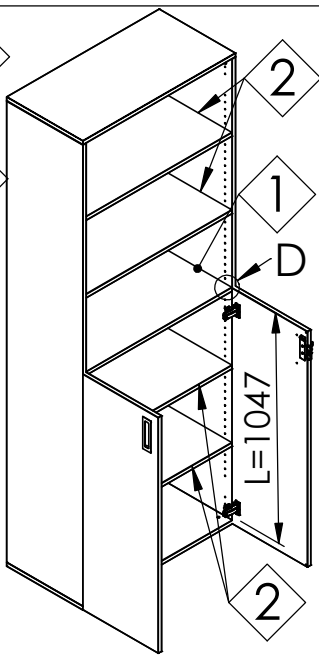
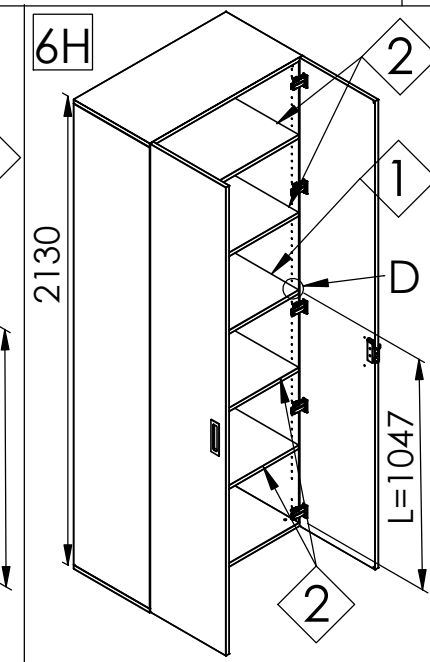
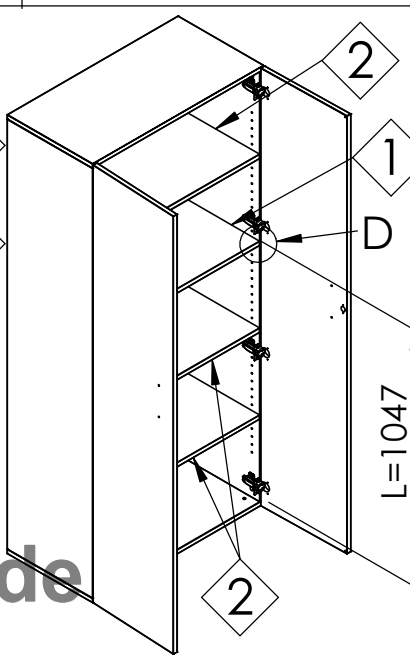
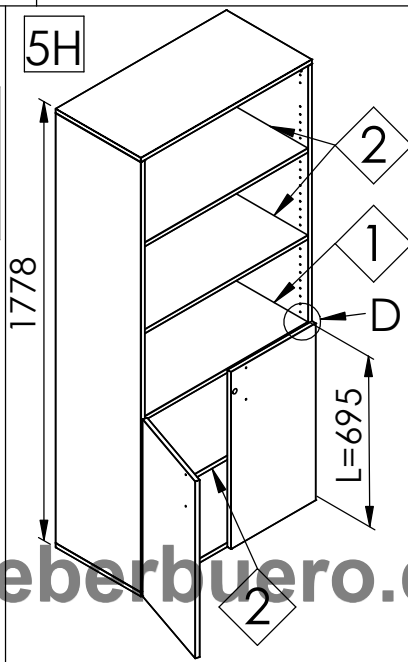
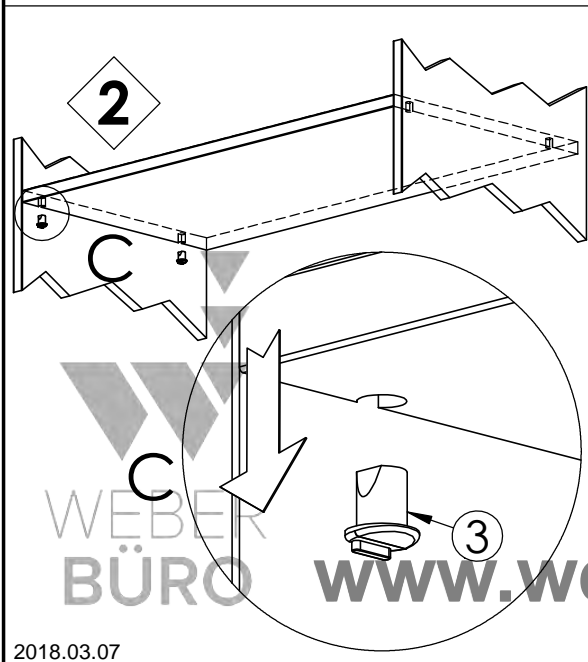
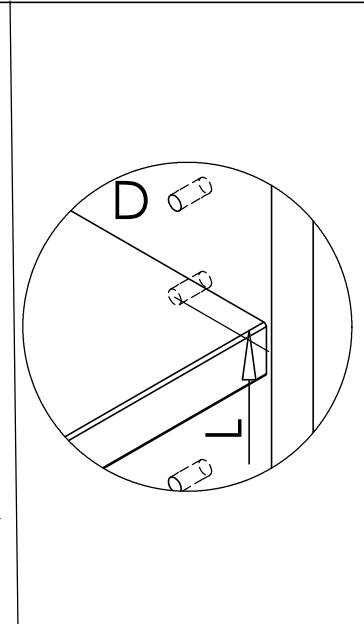
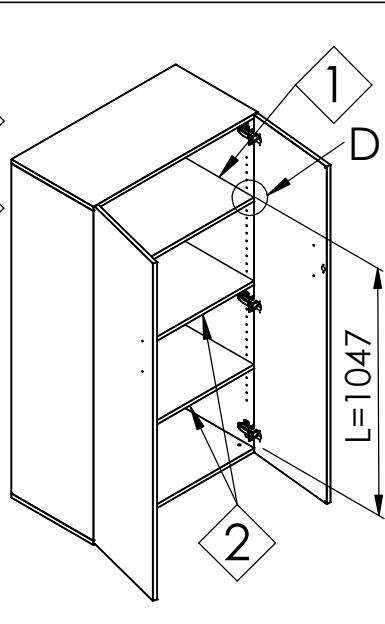
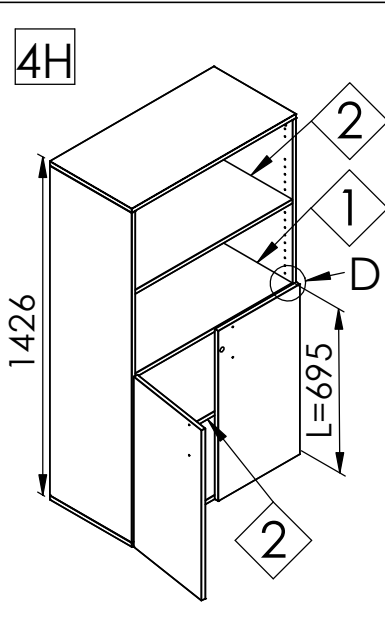
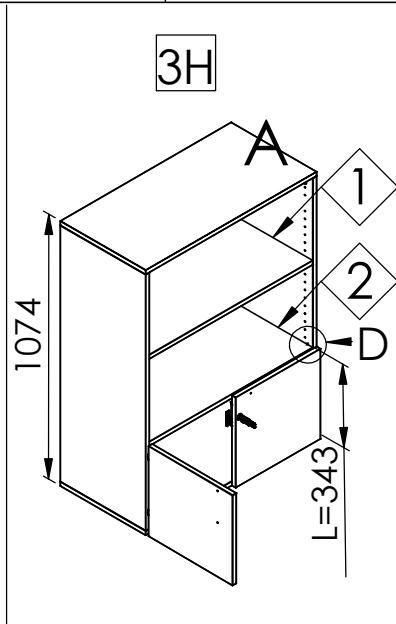
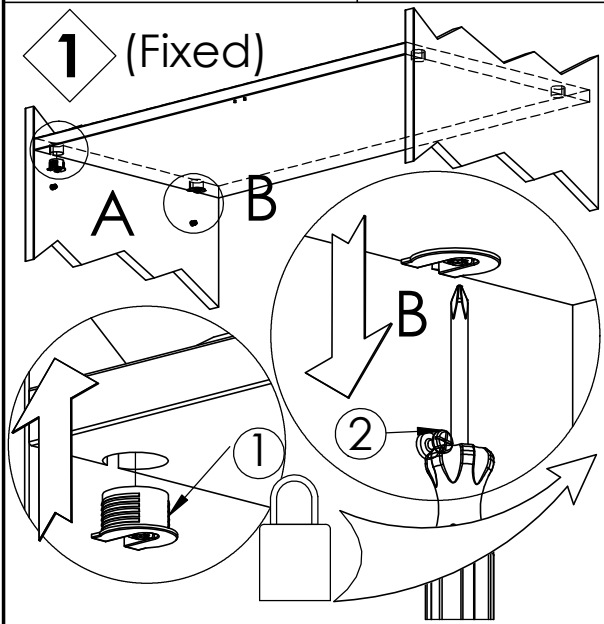
3



Инструменты для сборки:

Requiring tools:

Surinkimo schema
Схема сборки
Assembling scheme



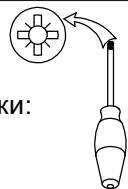
M60EC125

1 / 1

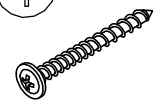
Reikalingi įrankiai:

Инструменты для сборки:

Required tools:



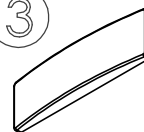
1



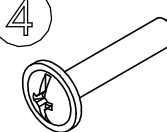
2



3

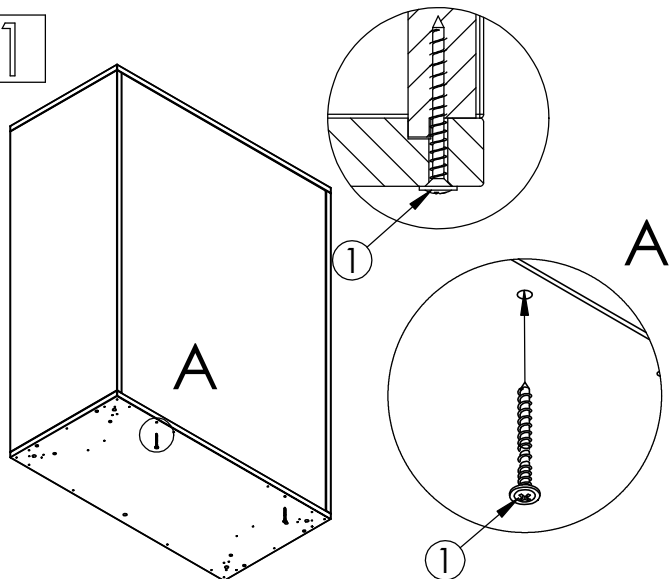


4

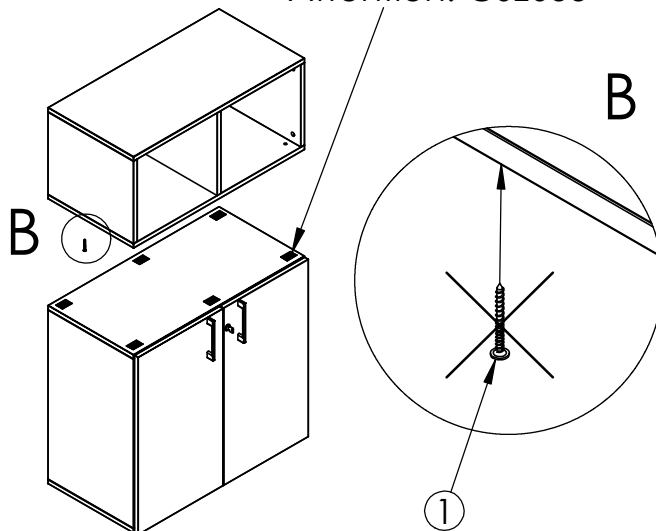


Surinkimo schema
Схема сборки
Assembling scheme

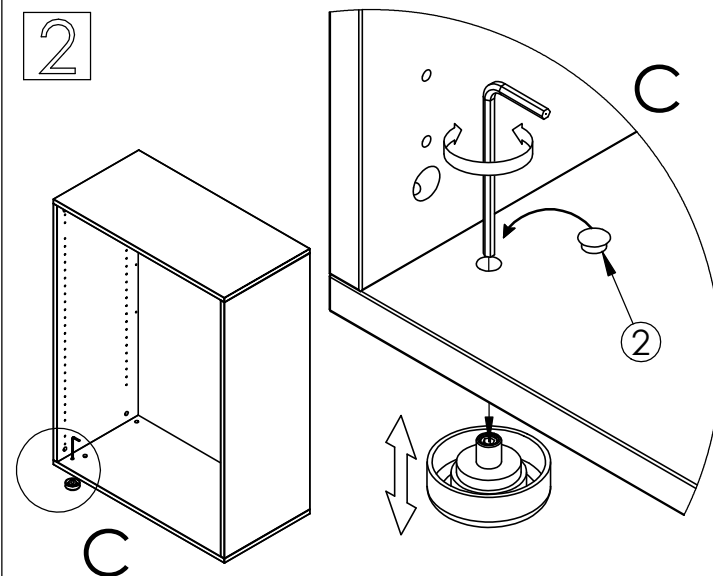
1



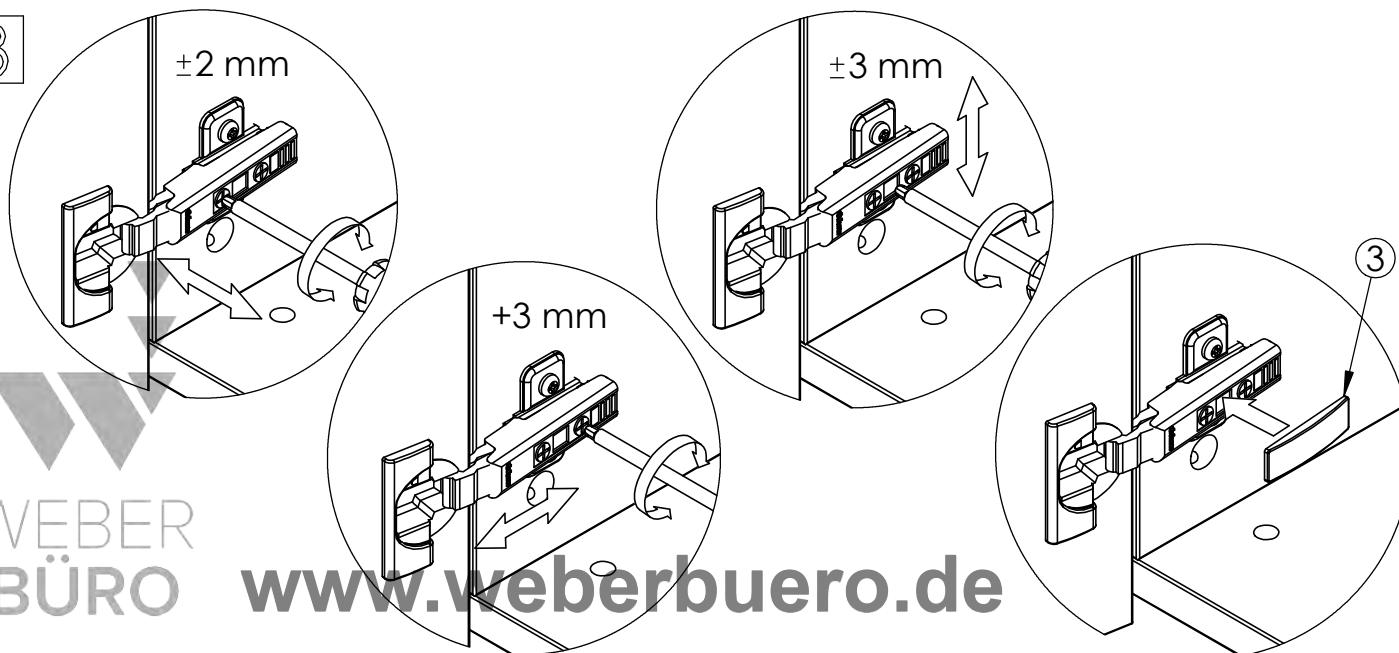
Attention! COZ053



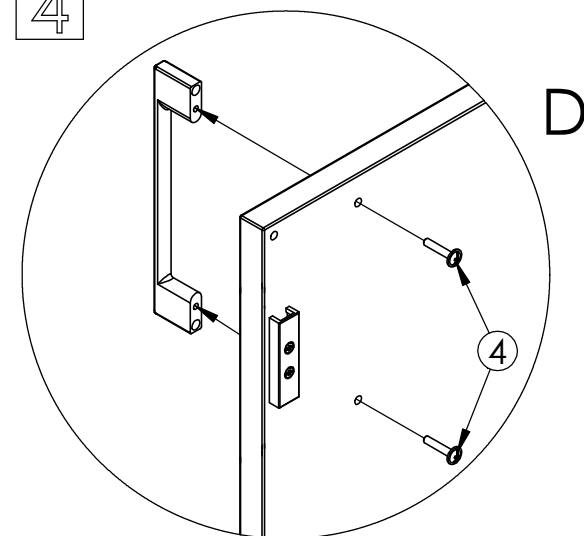
2



3



4

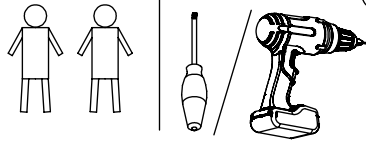


WEBER
BÜRO

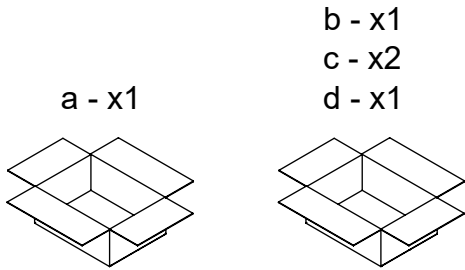
www.weberbuero.de

M60EC128

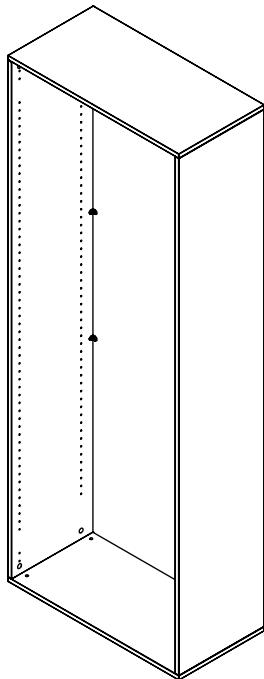
EN Assembling scheme
 DE Montageschema
 FR Schéma d'assemblage



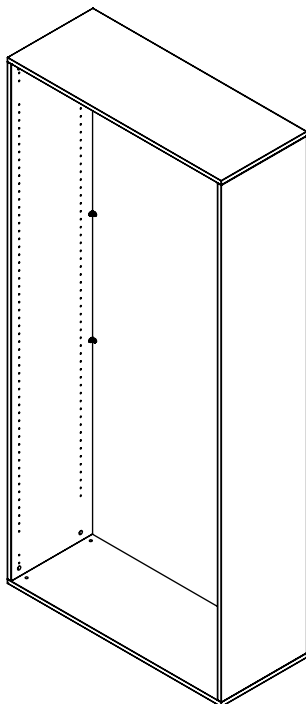
1		2		3	
15/18 M42B0001	x8	5/11x34 M42B0022	x8	∅8x30 M42H0001	x8
4		5		6	
∅4/18 M45A3010	x8	∅10/13 M45A2031	x4	4.5x45 M42A0110	x2
7		8		9	
6,3x13 M42C0029	x4	20x17 M42J0027	x4	4,0x15 M42A0056	x4



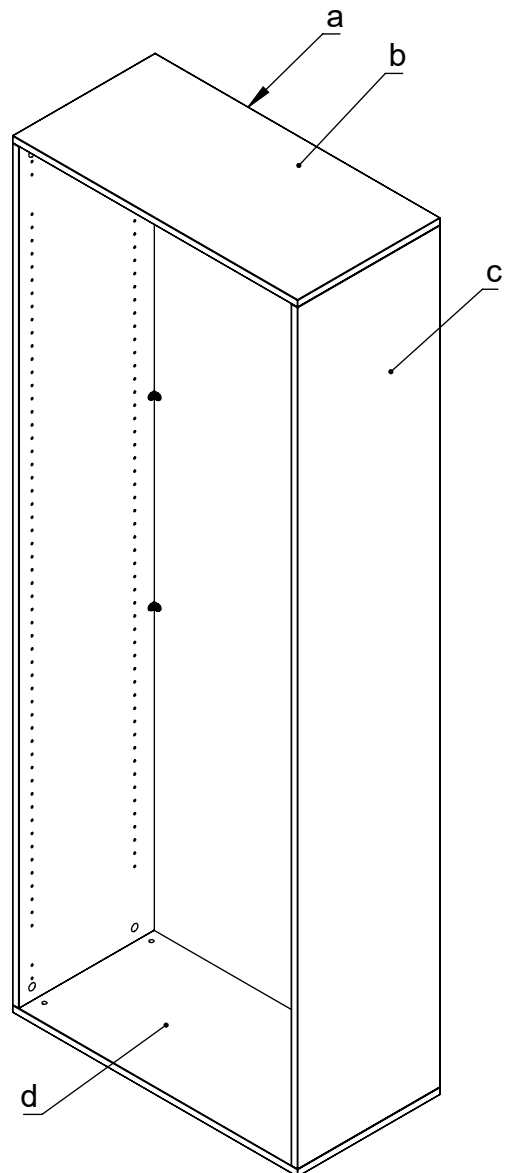
C6C080
 C6C081
 C6H080



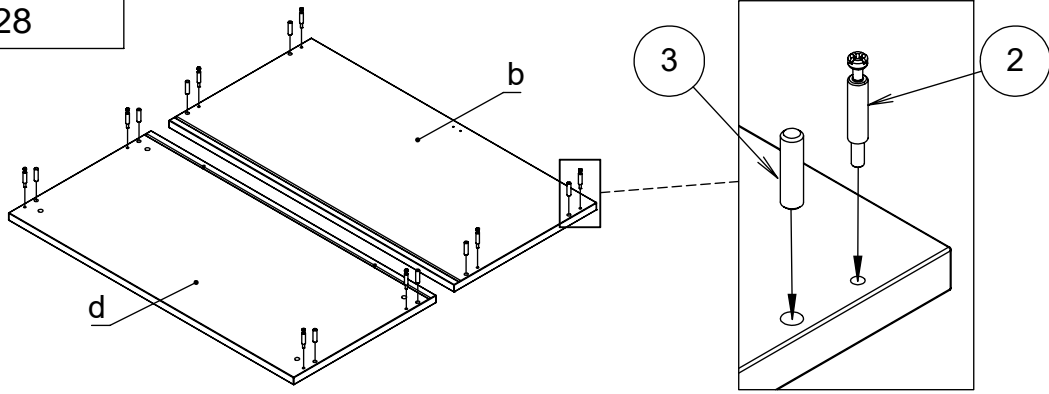
C6C100
 C6C101



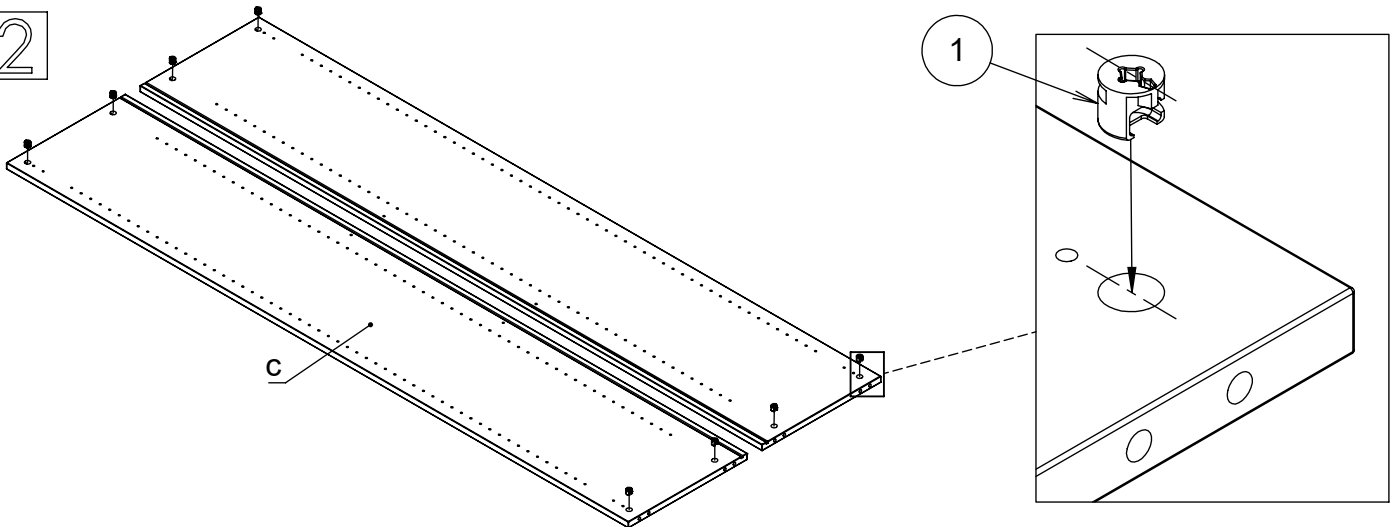
10	
a - x2	b - x1
c - x1	
M42Z0018	x1



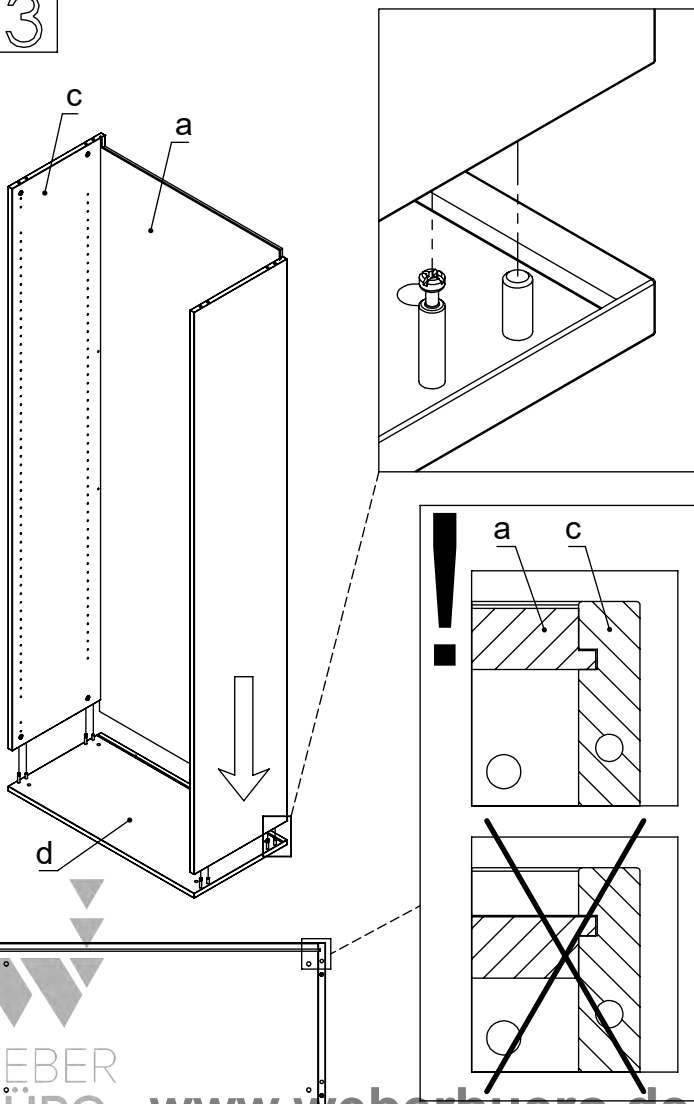
1



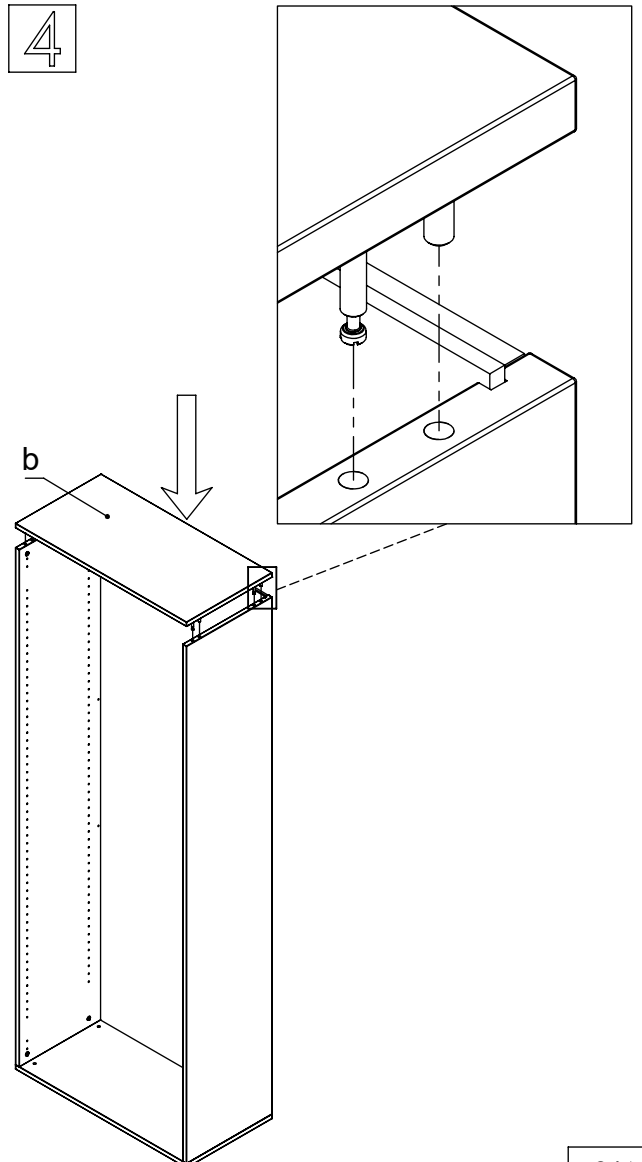
2



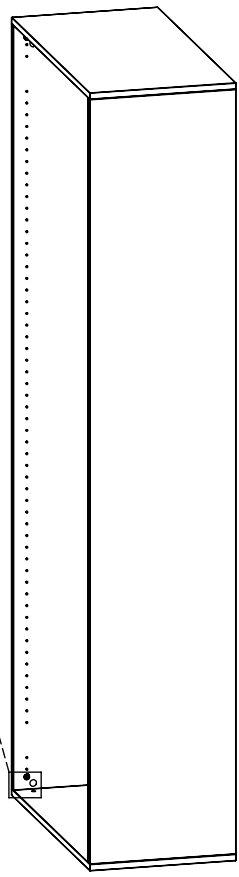
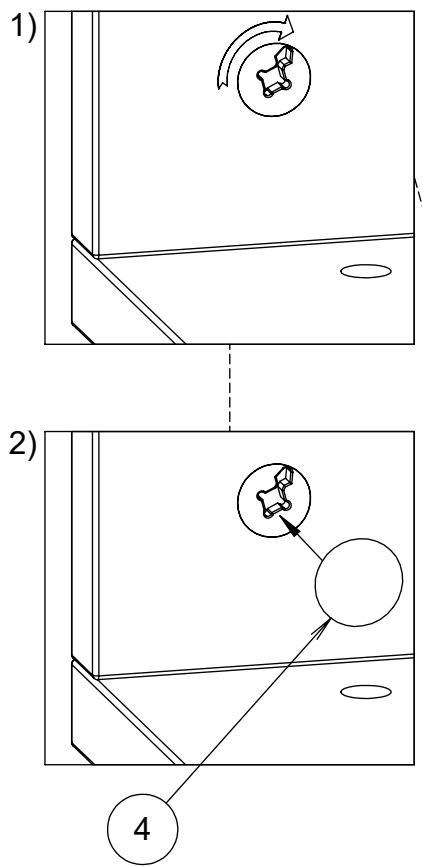
3



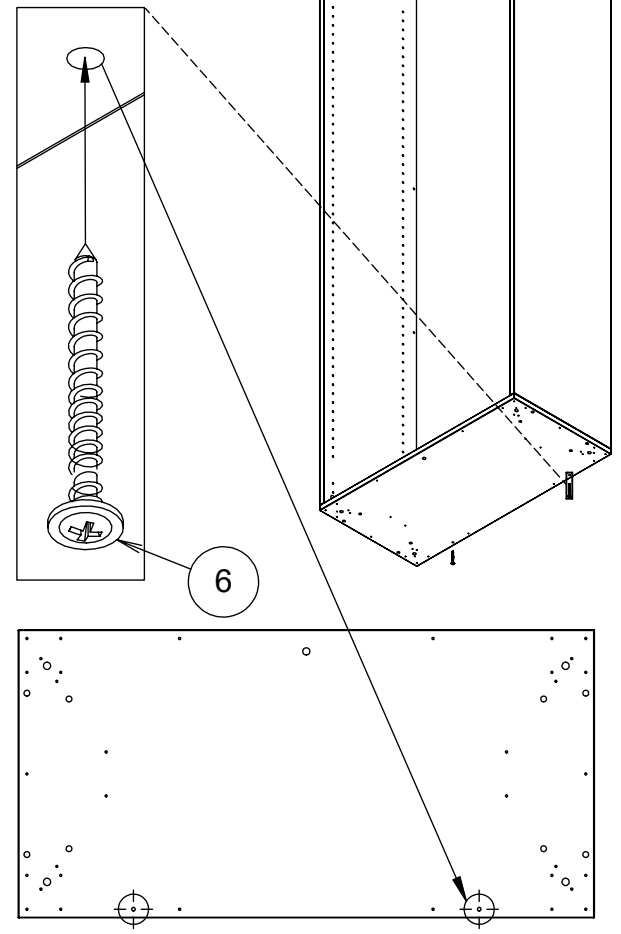
4



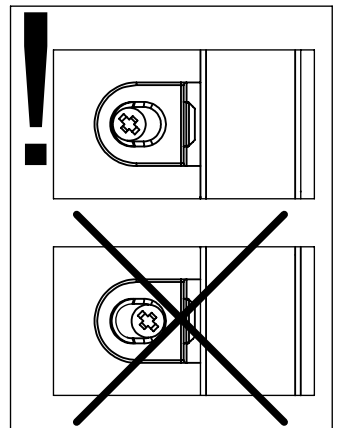
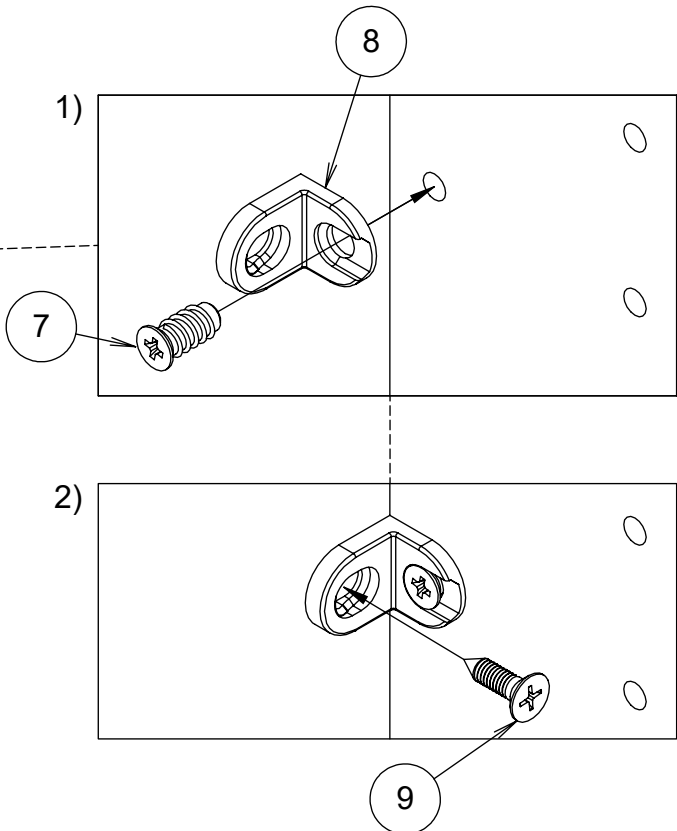
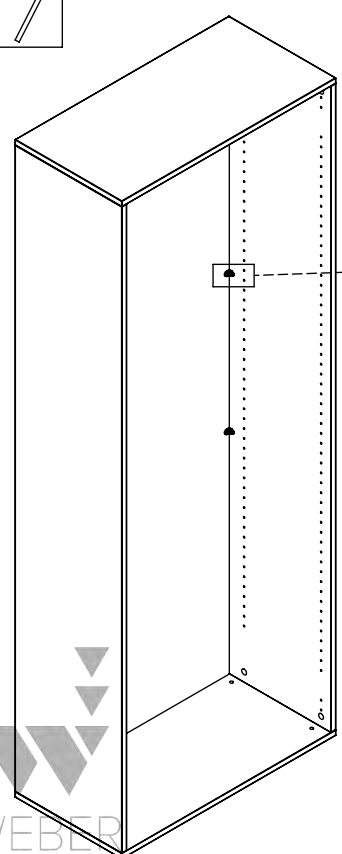
5

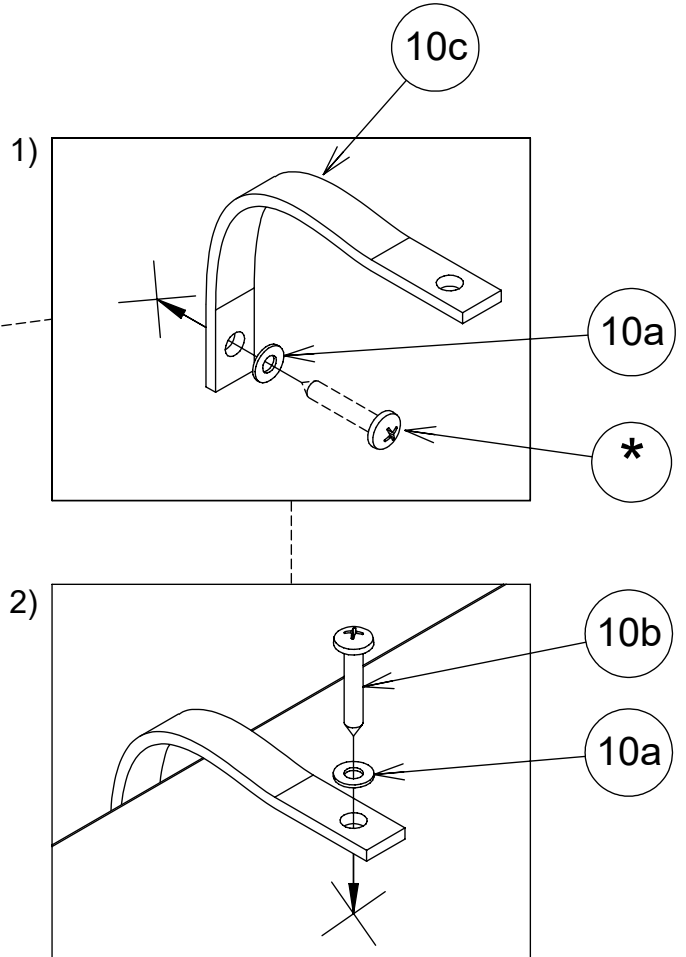
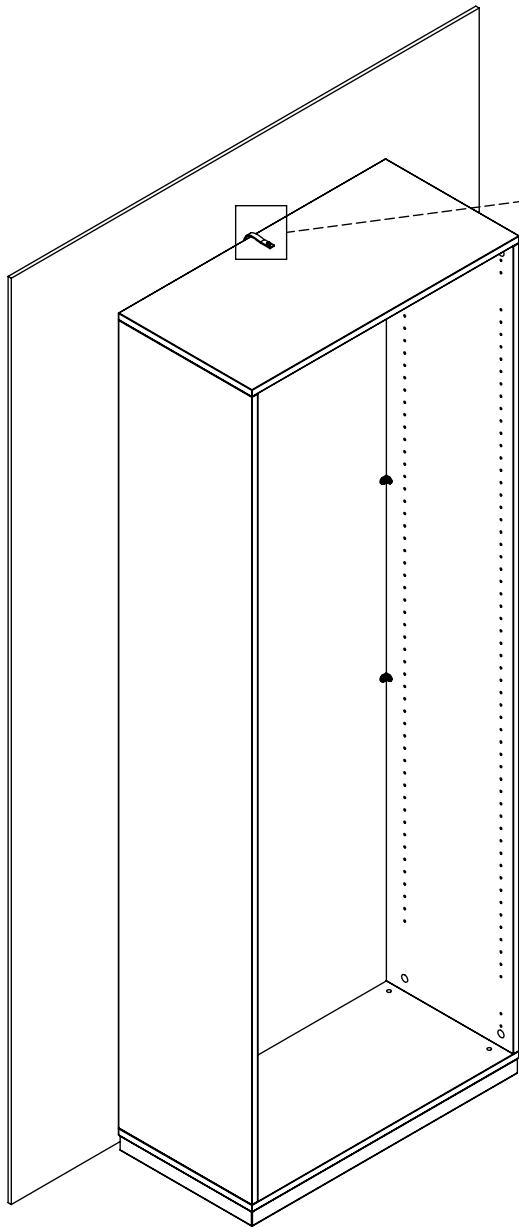
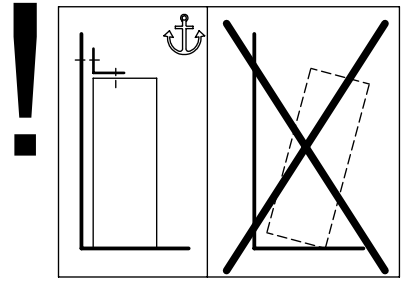


6



7





*	EN	Screw to the wall is chosen by installer according to the wall type
	DE	Die Schraube an der Wand wird durch die Installation ausgewählt, je nach Wandtyp
	FR	Installateur devrait fournir la visserie selon la structure de mur