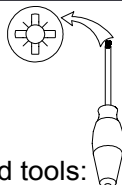


M60EC006

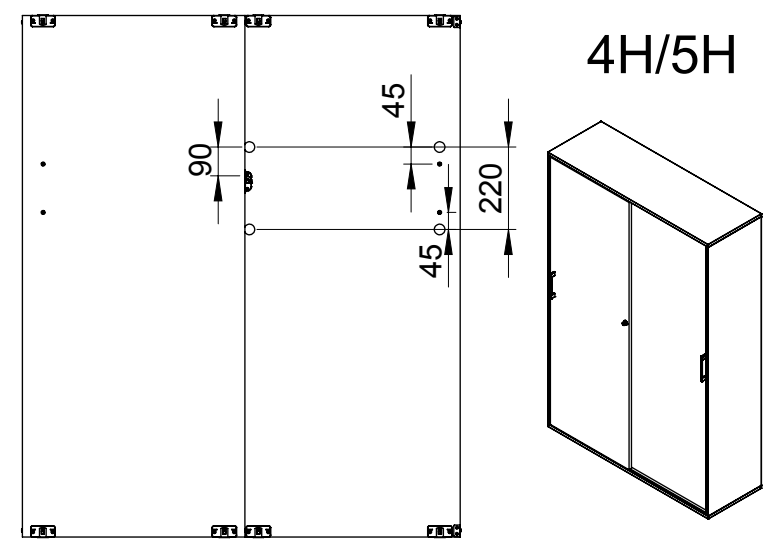
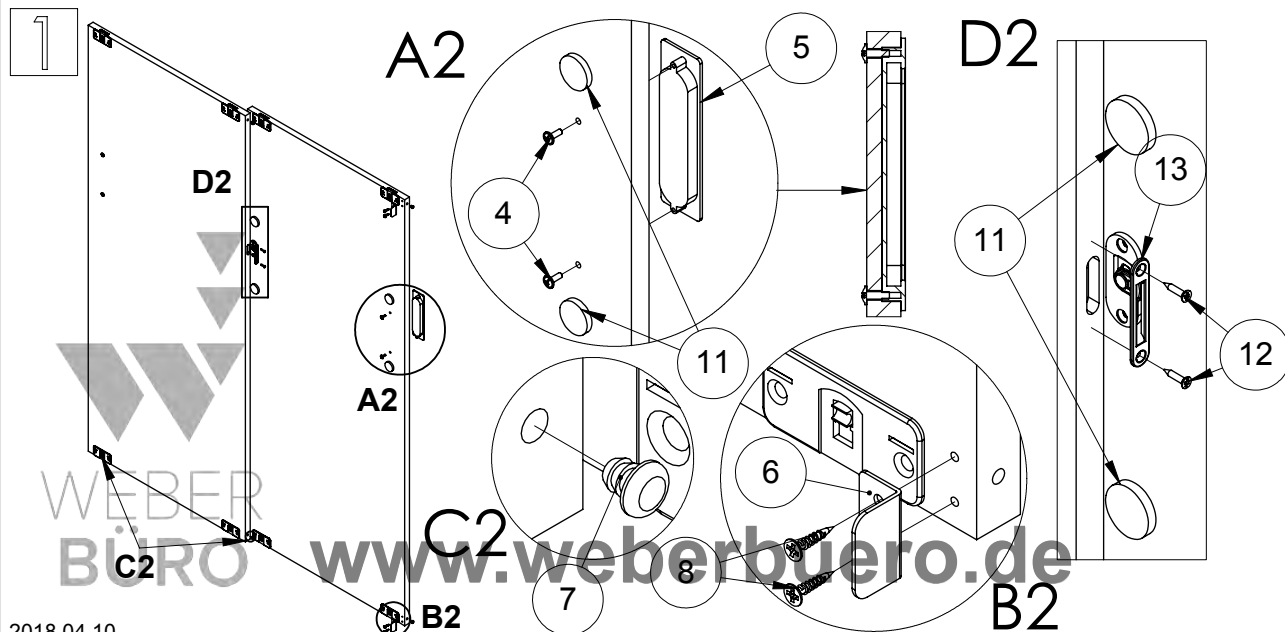
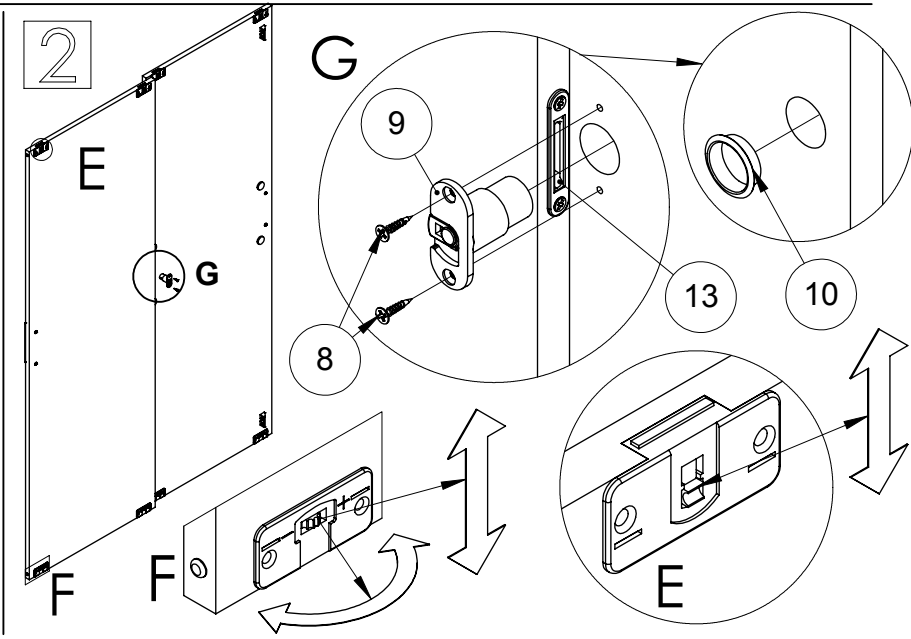
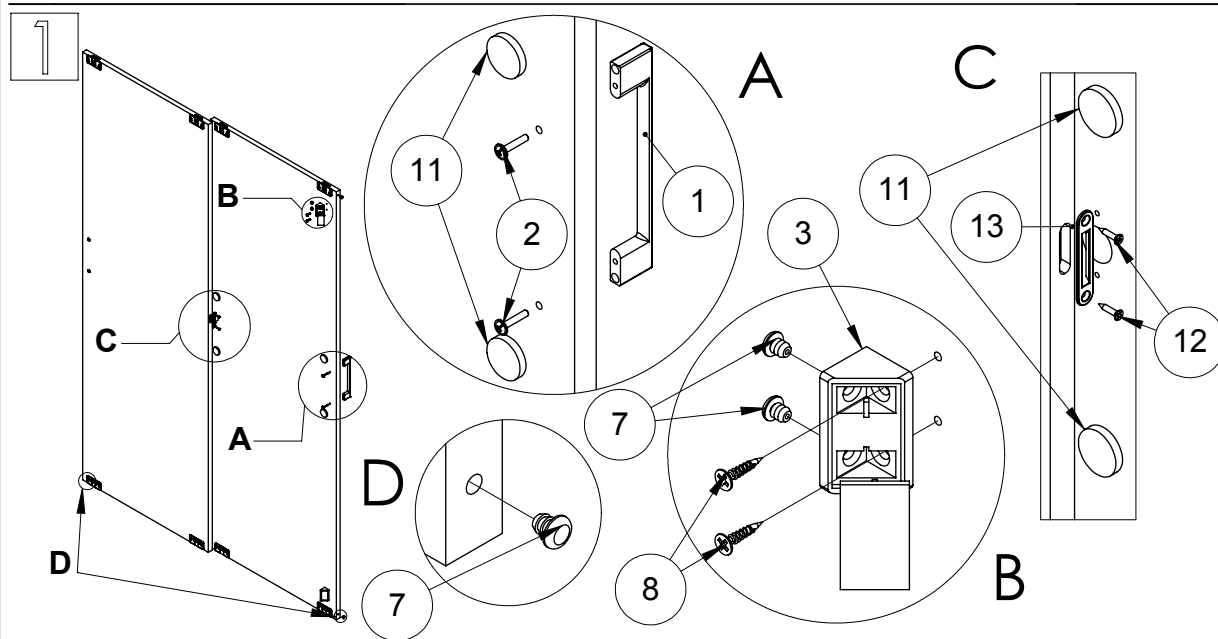
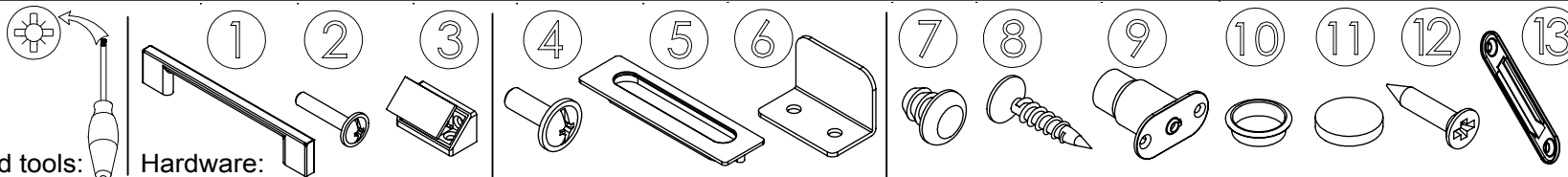
1 / 1

Assembling scheme

Required tools:

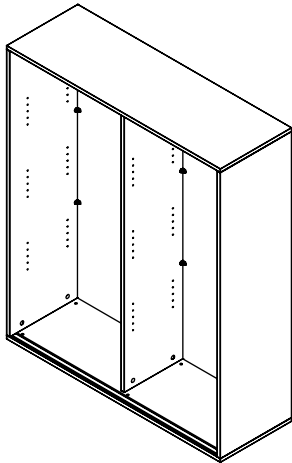


Hardware:

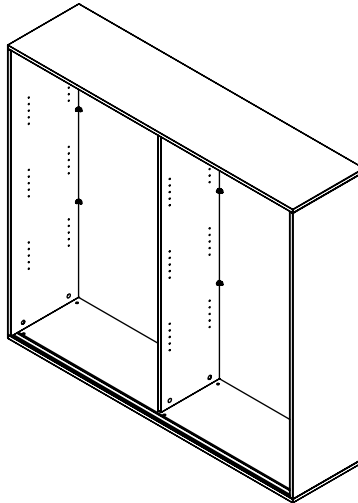


M60EC107									
EN	Assembling scheme		15/18 M42B0001	x12	5/11x34 M42B0022	x12	∅8x30 M42H0001	x12	
DE	Montageschema								
FR	Schéma d'assemblage		∅4/18 M45A3010	x12	∅10/13 M45A2031	x6	4.5x45 M42A0110	x4	
<p>a - x2</p>		<p>b - x1</p> <p>c - x2</p> <p>d - x1</p> <p>e - x1</p>							
				20x17 M42J0027	x8	6,3x13 M42C0029	x8	4,0x15 M42A0056	x8

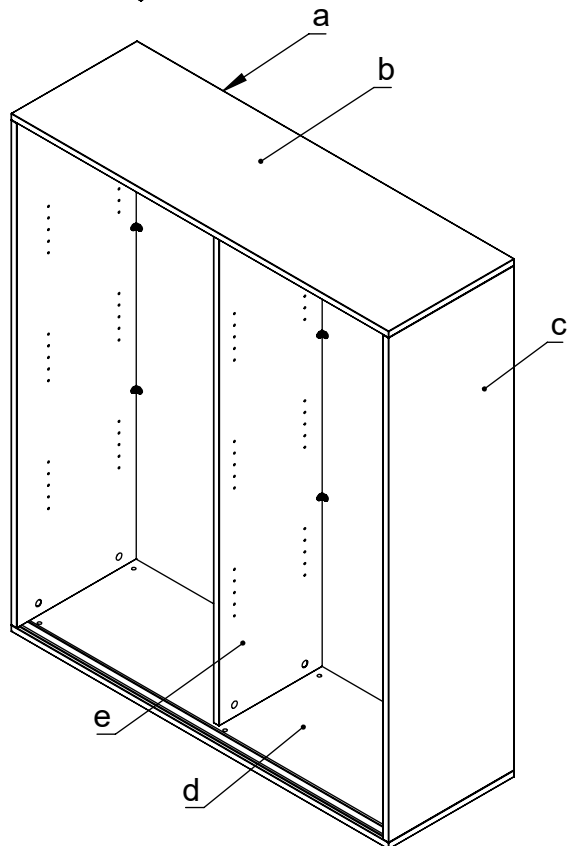
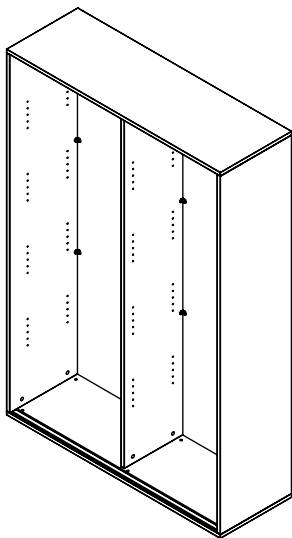
C4S120
C4S121



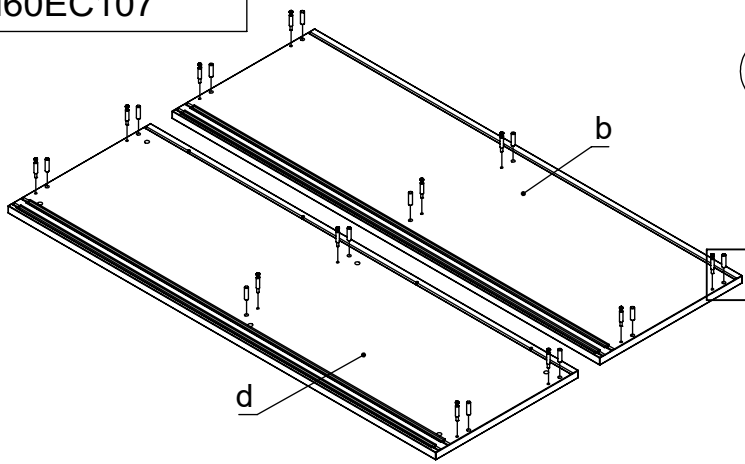
C4S160



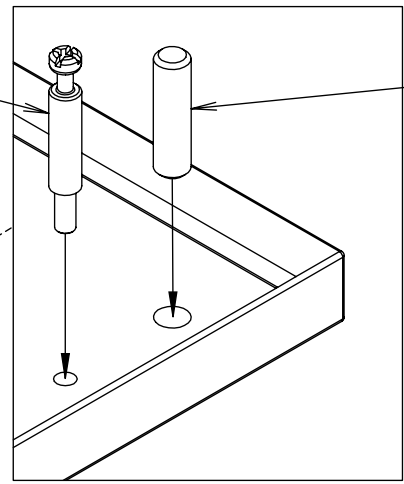
C5S120
C5S121



1

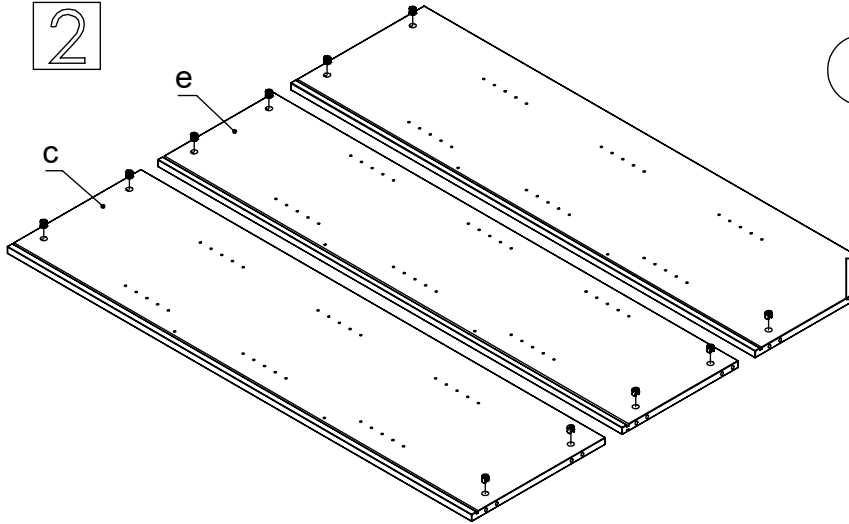


2

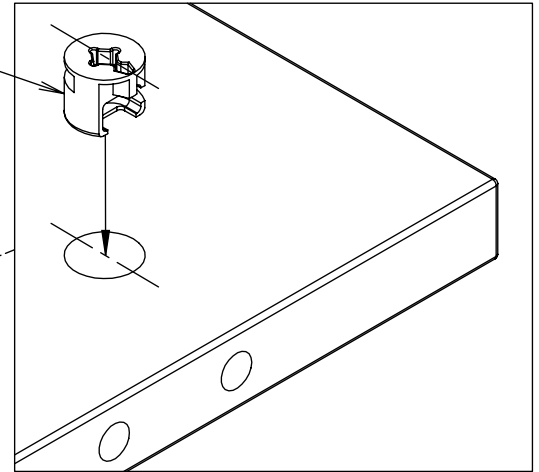


3

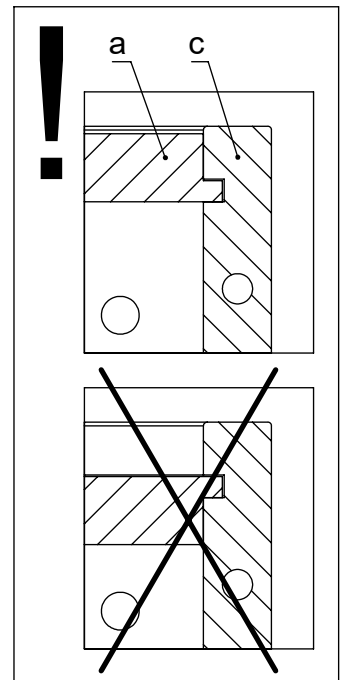
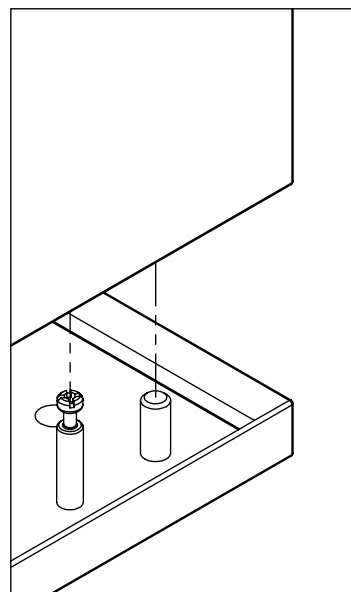
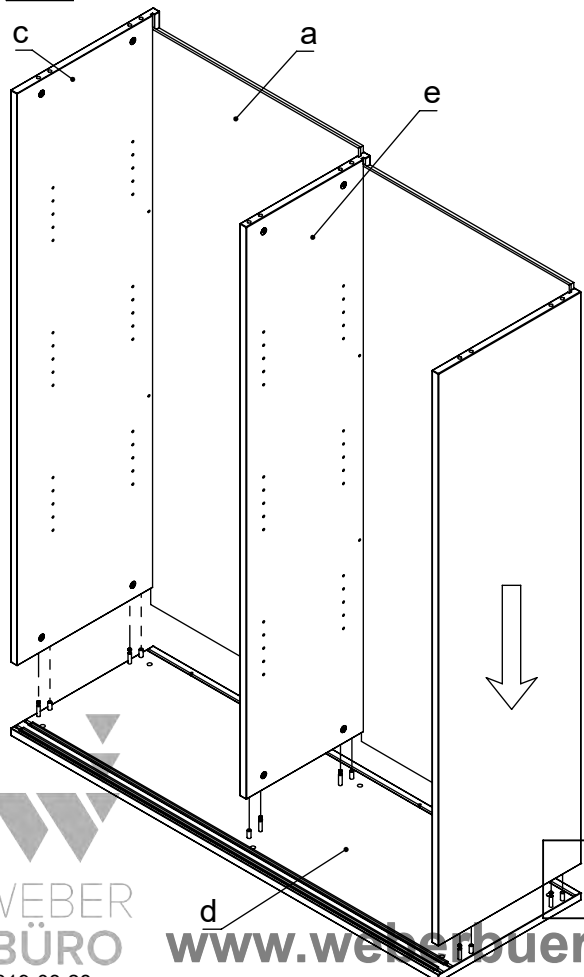
2



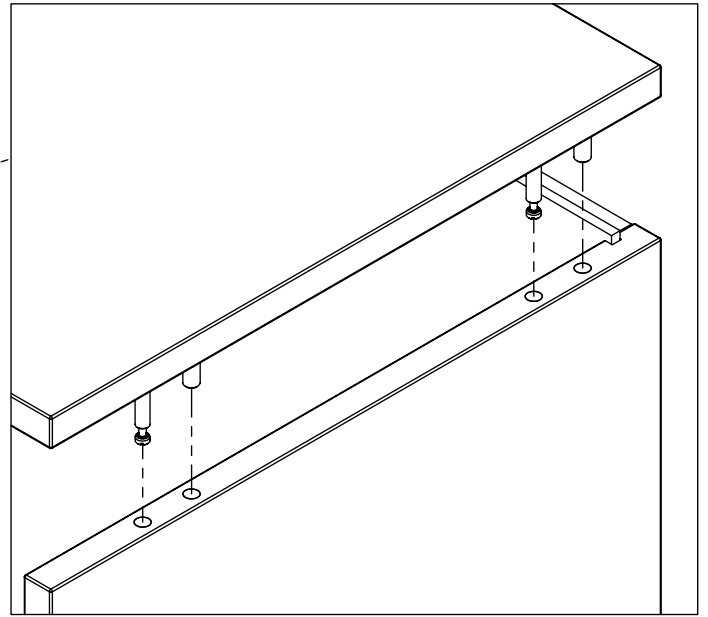
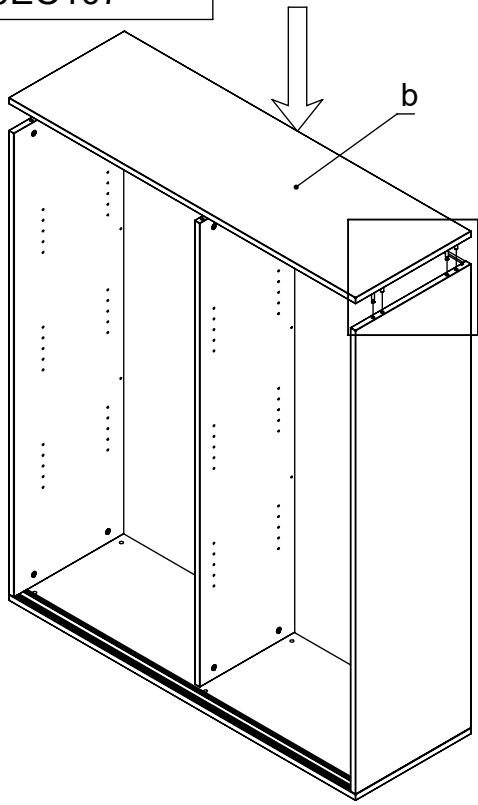
1



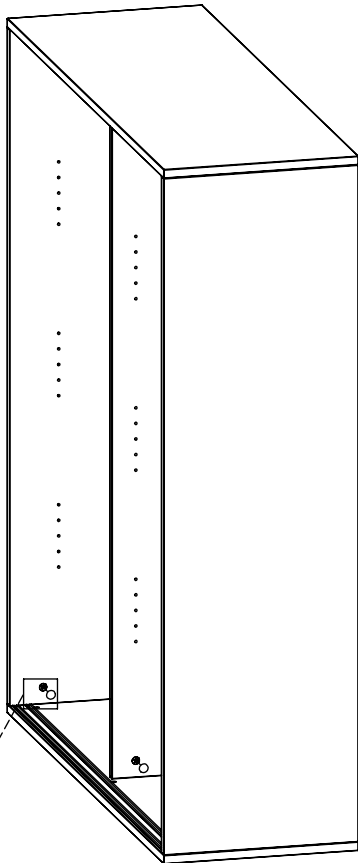
3



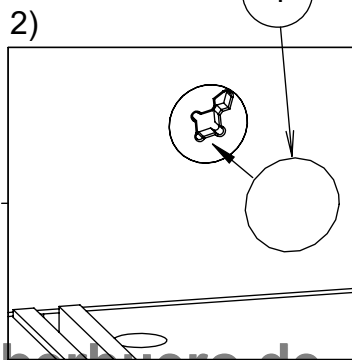
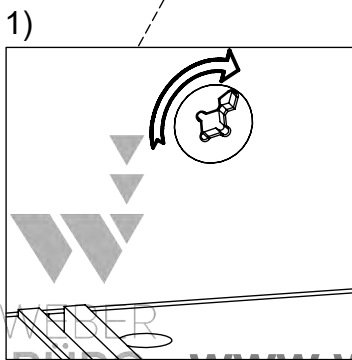
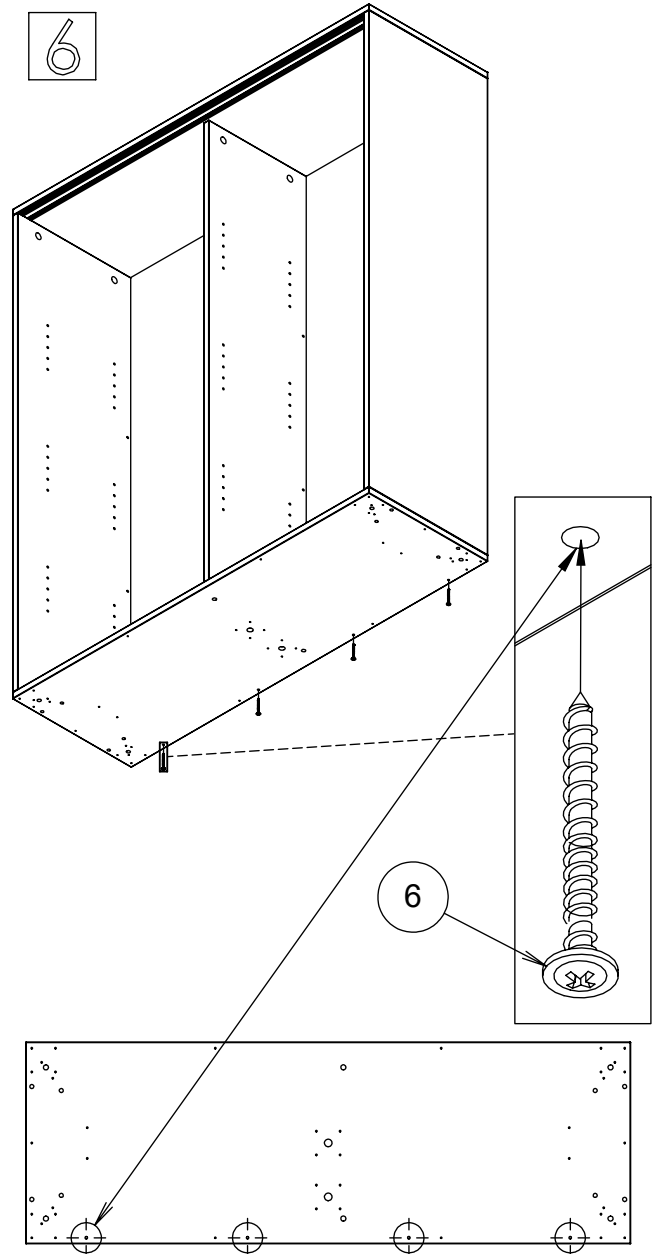
4



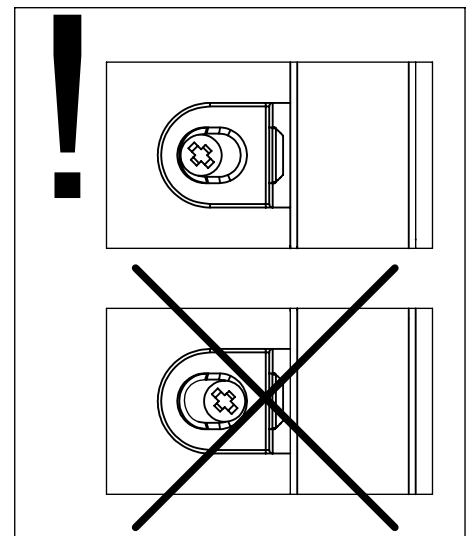
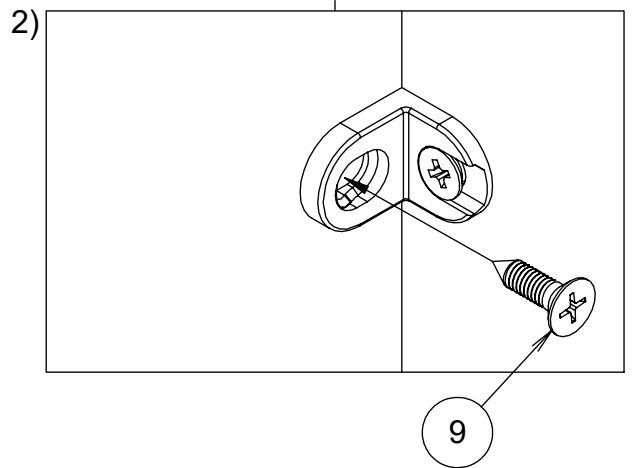
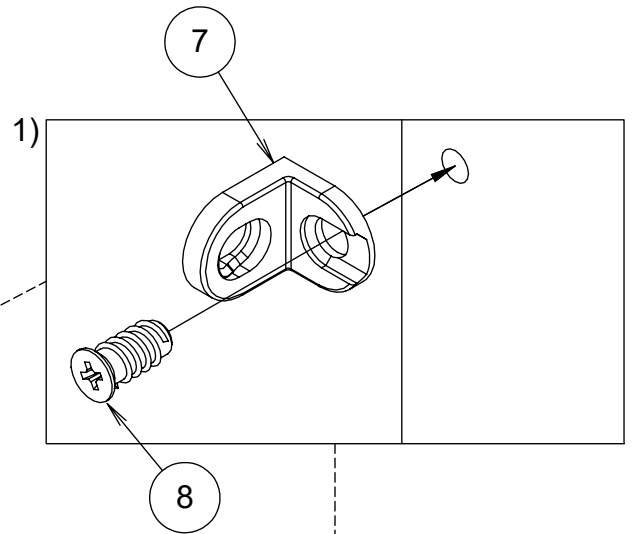
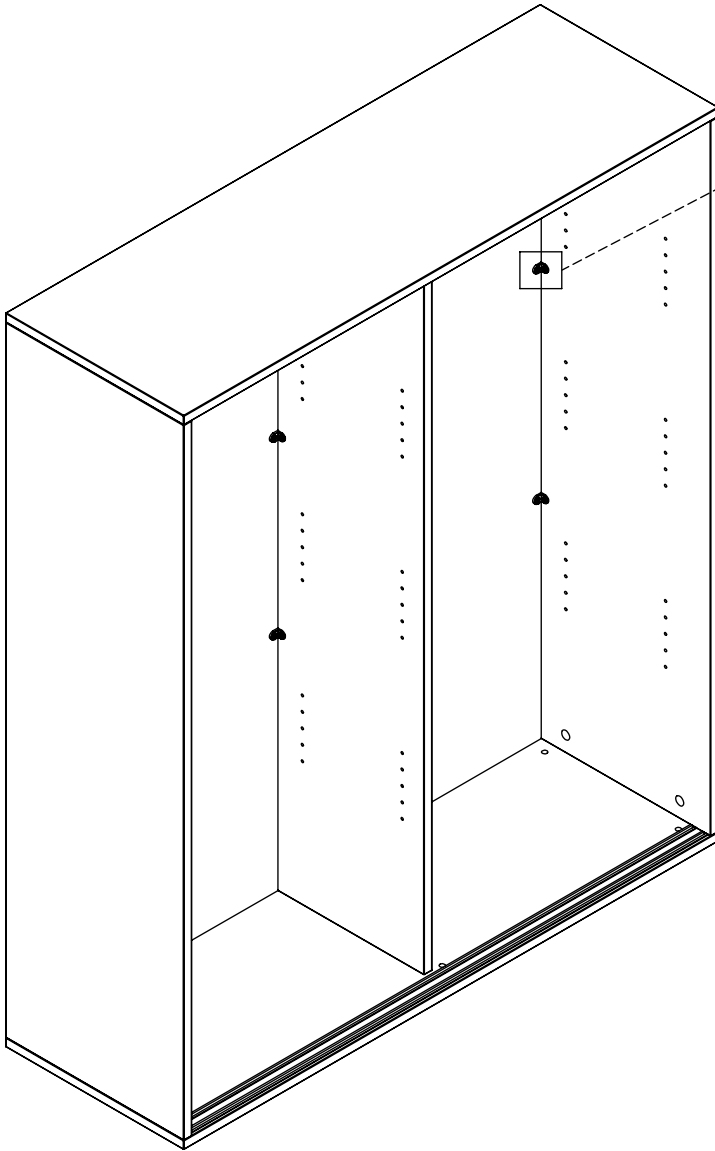
5



6



7



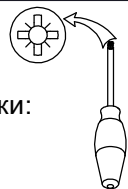
M60EC125

1 / 1

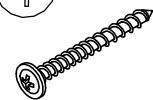
Reikalingi įrankiai:

Инструменты для сборки:

Required tools:



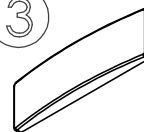
1



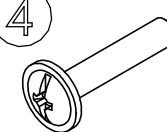
2



3

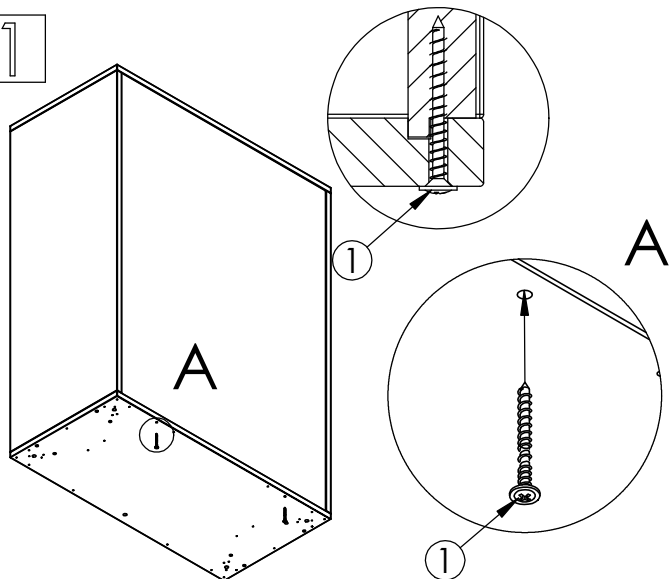


4

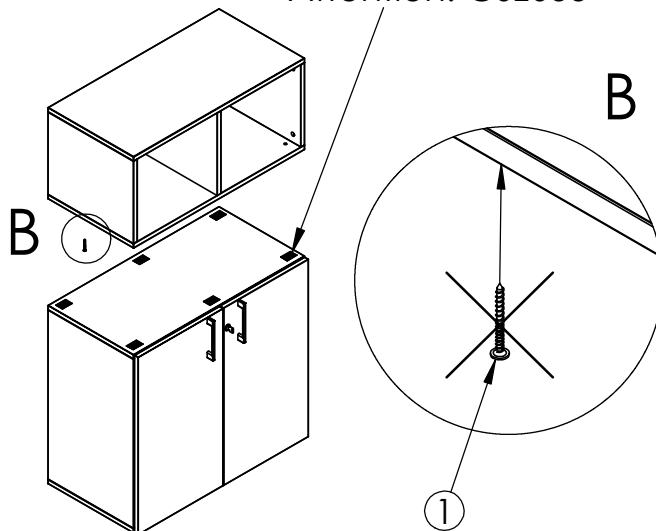


Surinkimo schema
Схема сборки
Assembling scheme

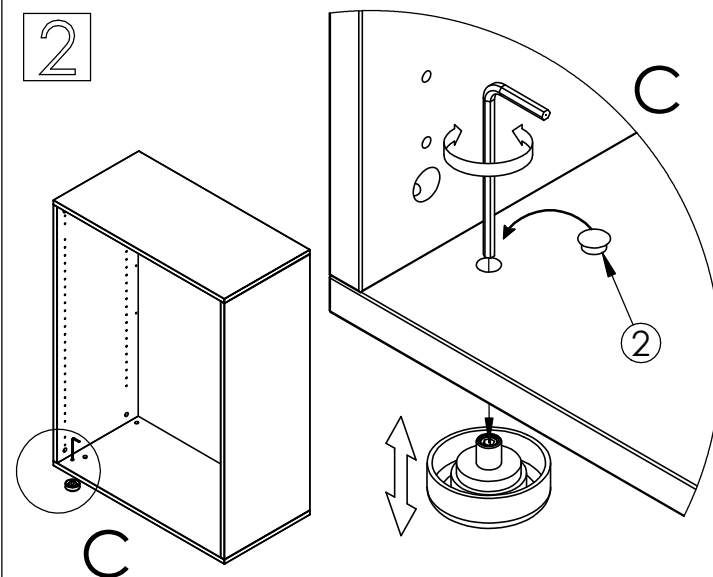
1



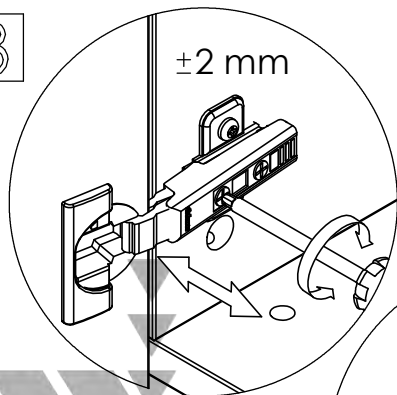
Attention! COZ053



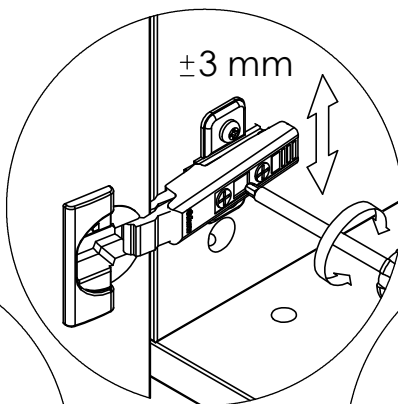
2



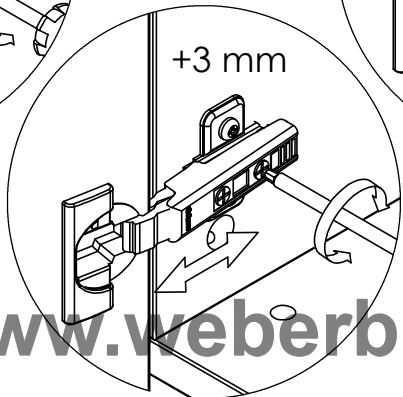
3



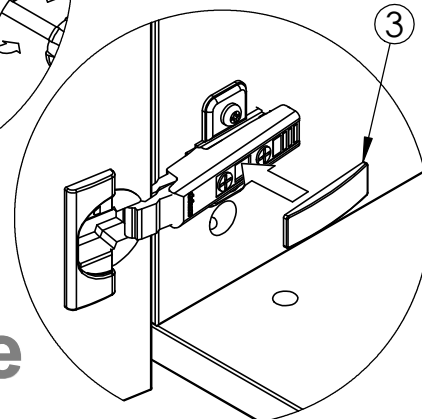
±2 mm



±3 mm

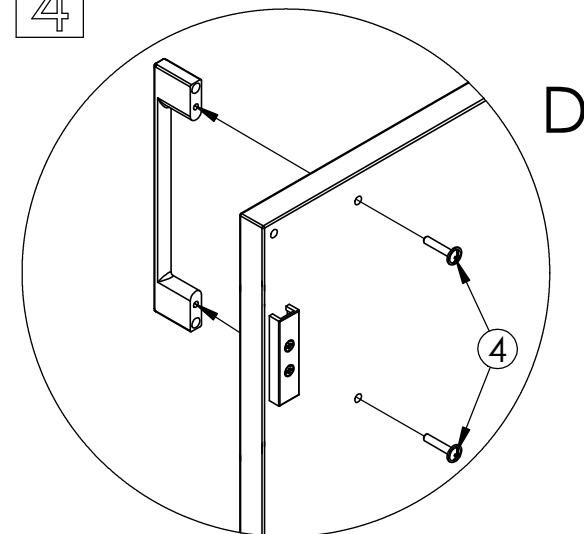


+3 mm



3

4



D

WEBER
BÜRO

www.weberbuero.de