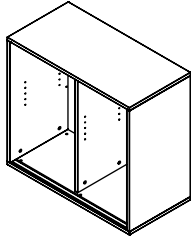
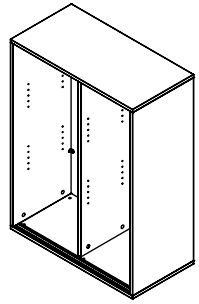


<b>M60EC104</b>										
EN	Assembling scheme		$\frac{15}{18}$ M42B0001	x12	$\frac{5}{11} \times 34$ M42B0022	x12	$\varnothing 8 \times 30$ M42H0001	x12		
DE	Montageschema									
FR	Schéma d'assemblage									
<p>a - x1</p>		<p>b - x1</p> <p>c - x2</p> <p>d - x1</p> <p>e - x1</p>								
				$\varnothing 4/18$ M45A3010		x12	$\varnothing 10/13$ M45A2031	x6	$4.5 \times 45$ M42A0110	*
				$4.0 \times 15$ M42A0056		*	$6.3 \times 13$ M42C0029	*	$20 \times 17$ M42J0027	*

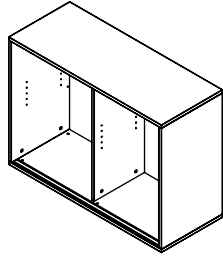
C2S080



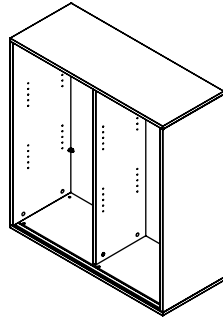
C3S080



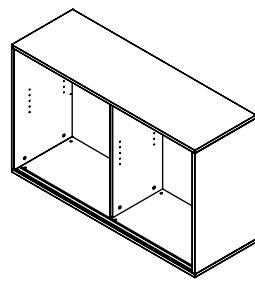
C2S100



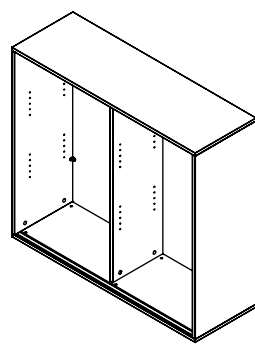
C3S100



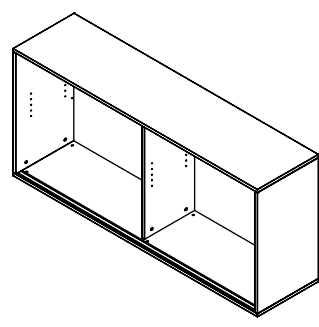
C2S120



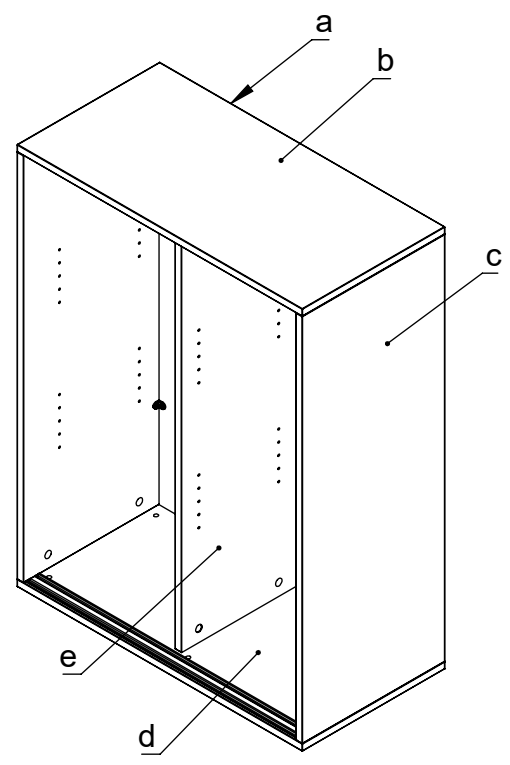
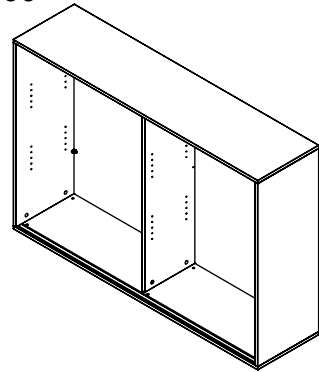
C3S120



C2S160



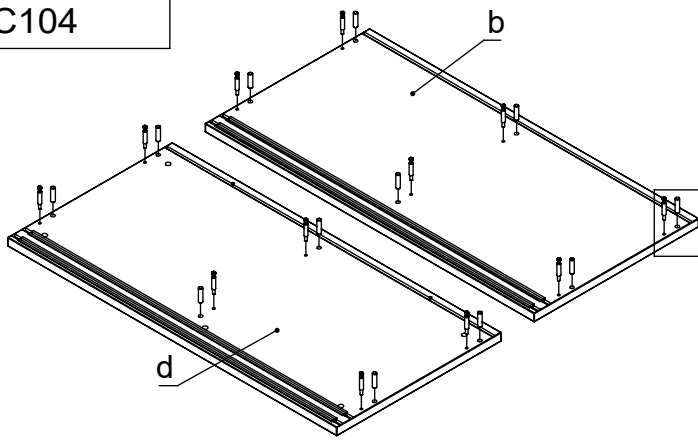
C3S160



EN	*Configuration depends on order option
DE	*Die Konfiguration hängt davon der Bestelloption ab
FR	*La configuration dépend de l'option de commande

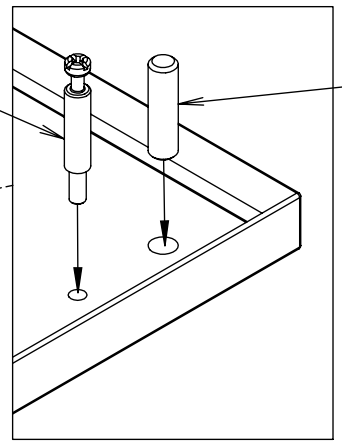


1



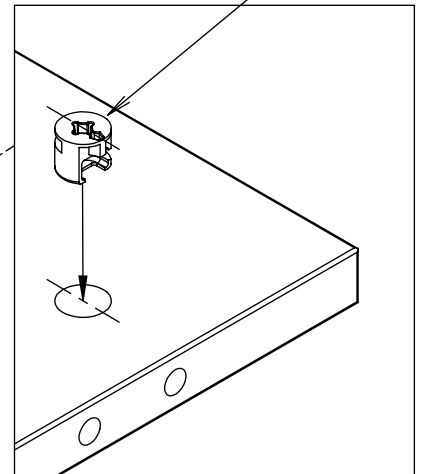
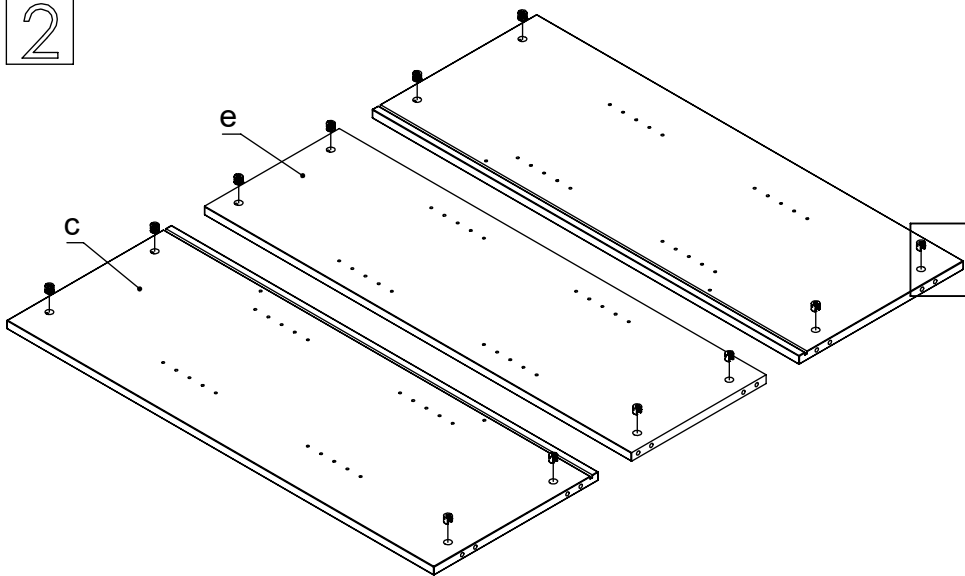
2

3

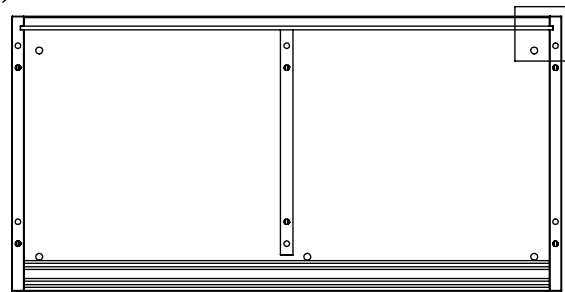
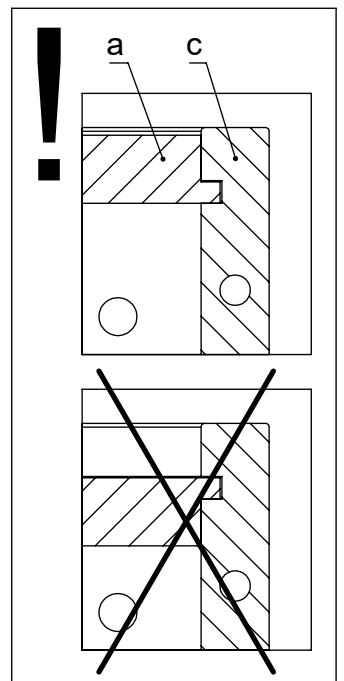
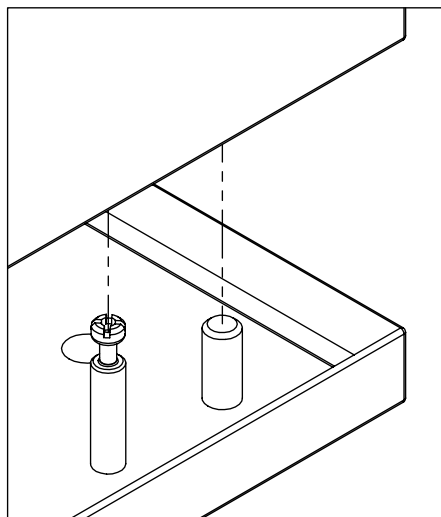
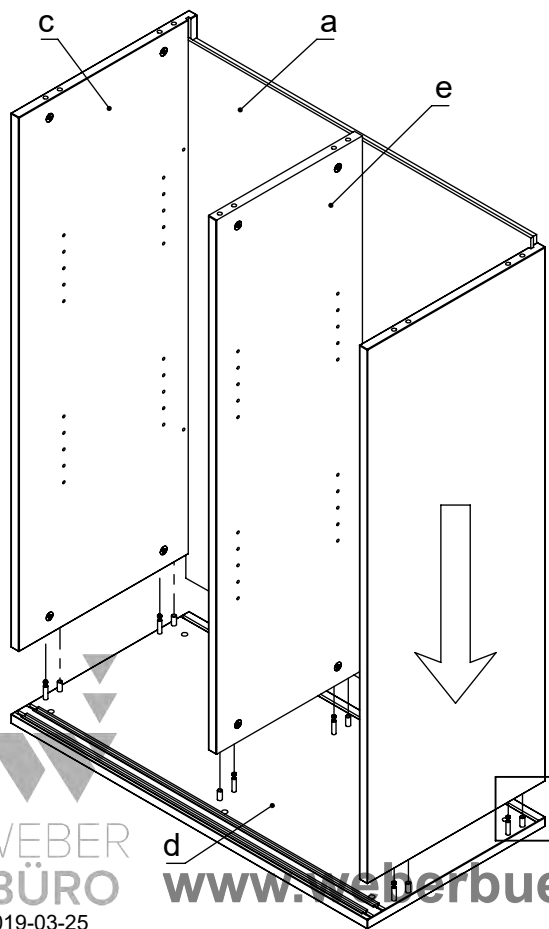


2

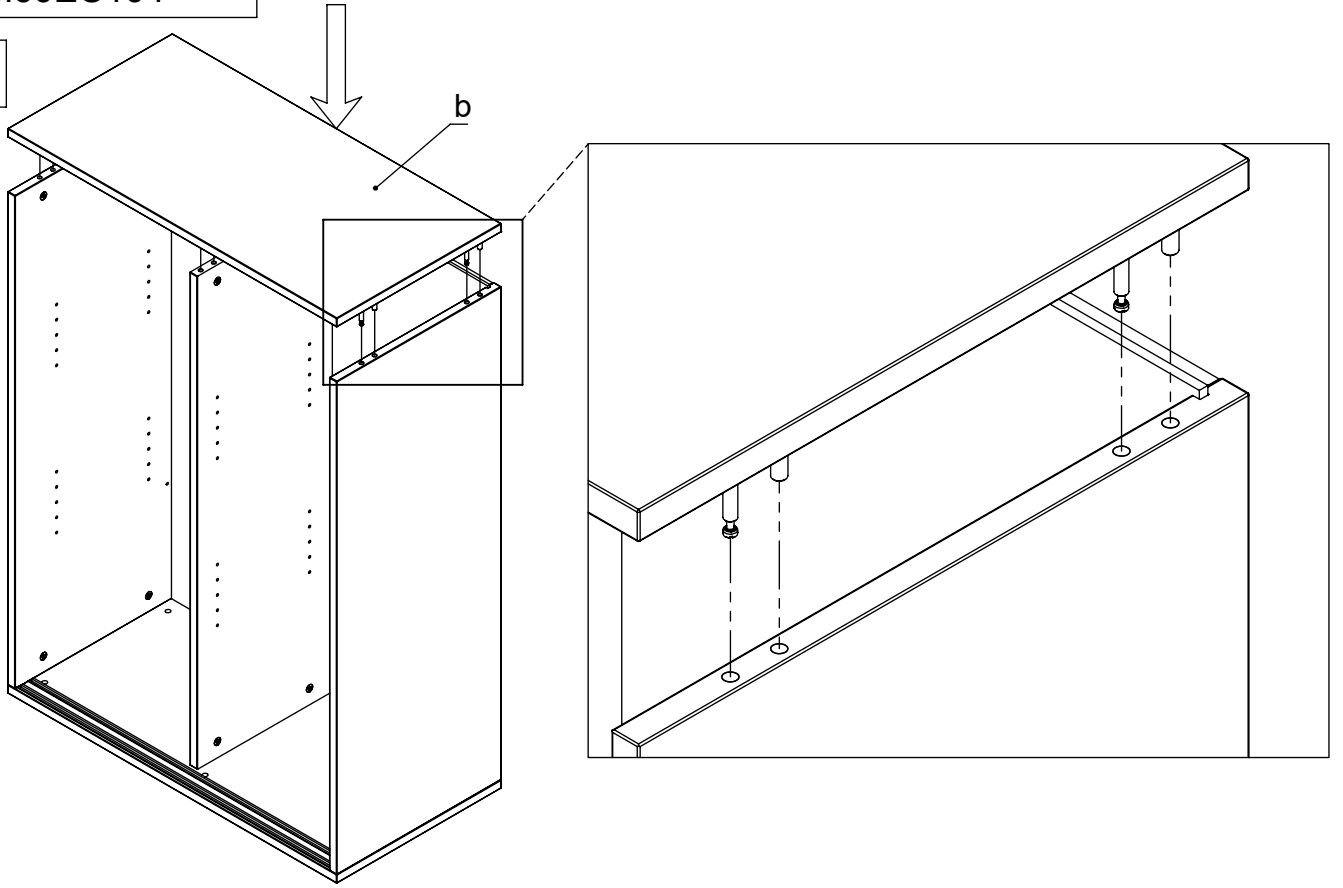
1



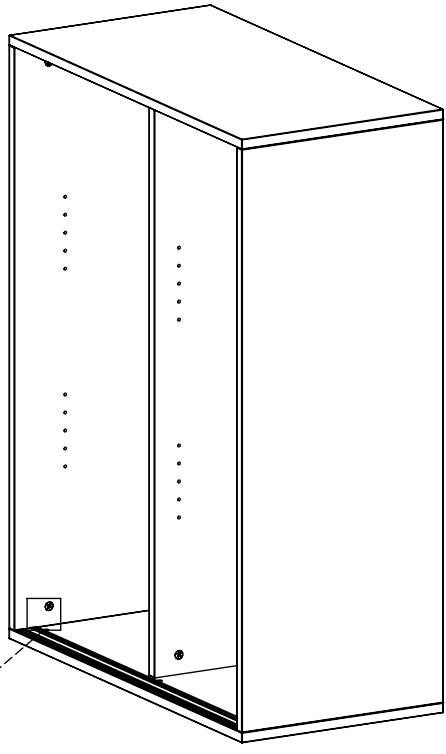
3



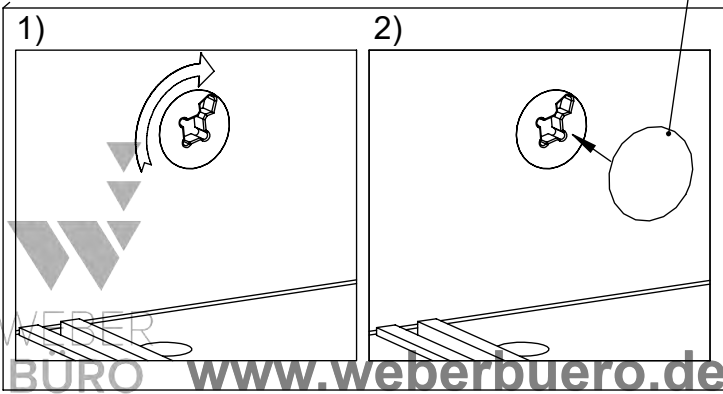
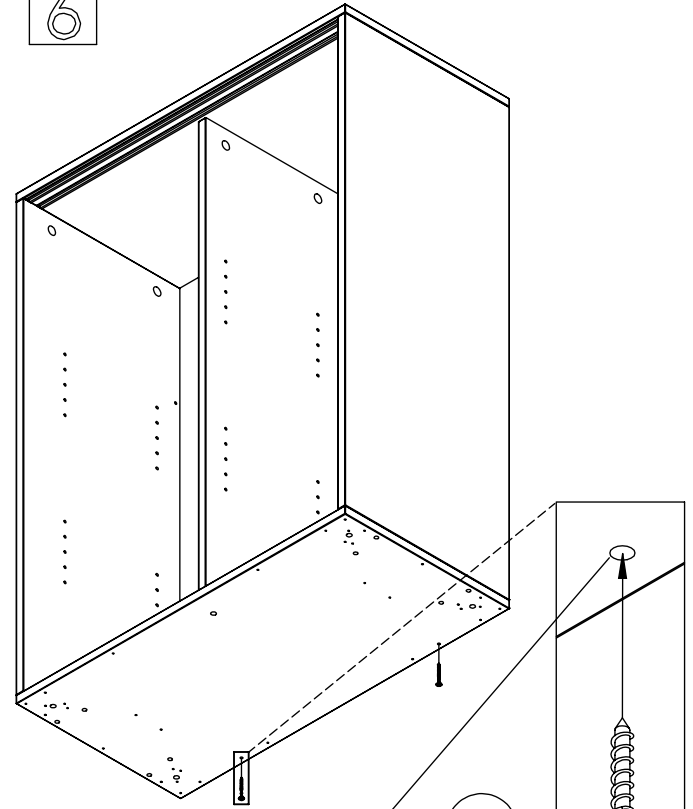
4



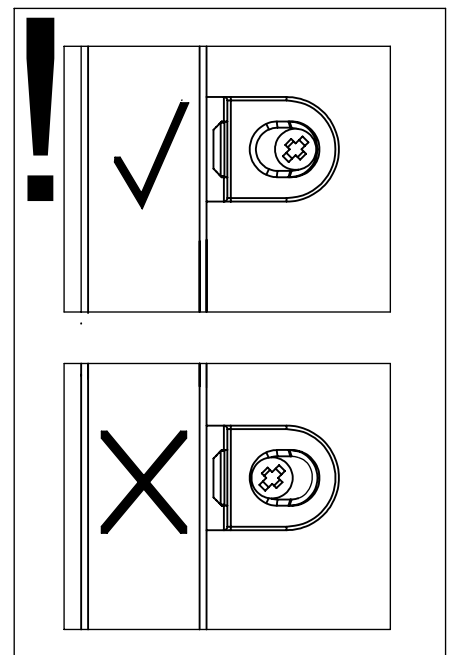
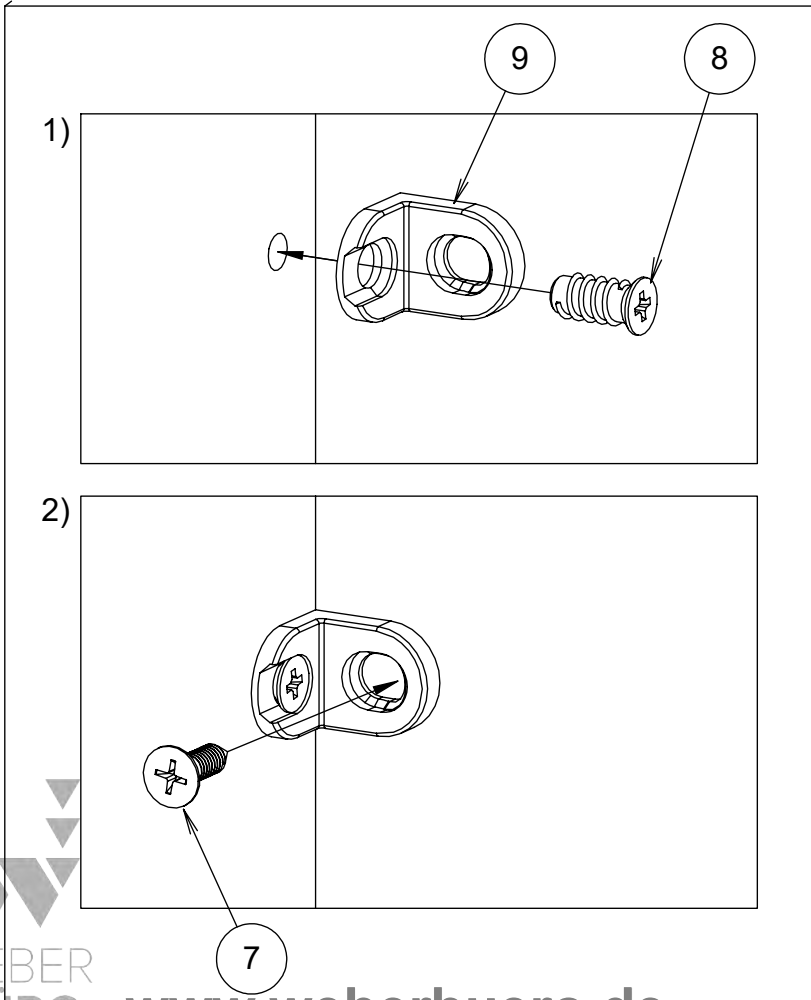
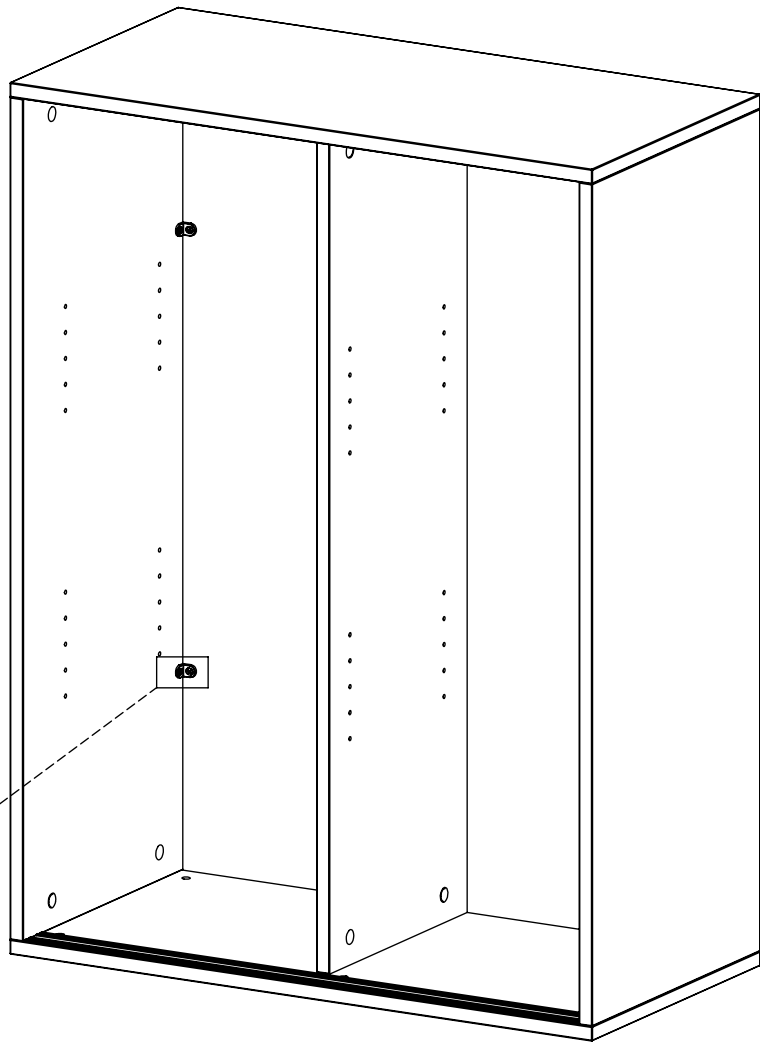
5



6



7



M60EC108 1 / 1

Reikalingi įrankiai:



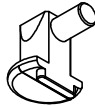
①



②



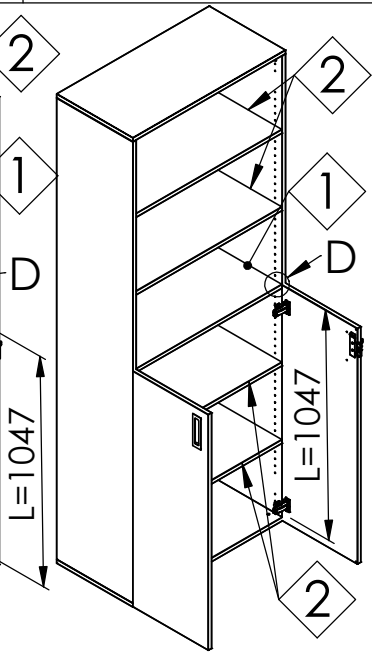
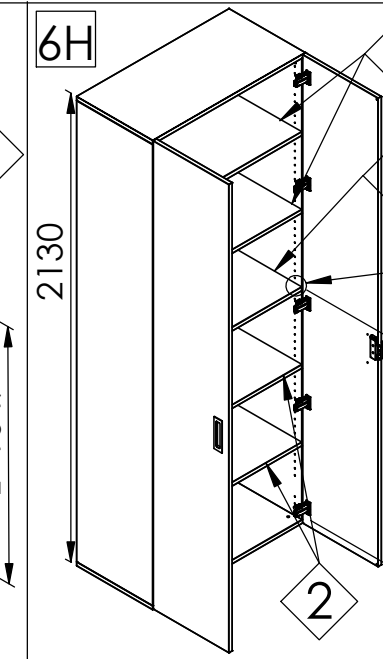
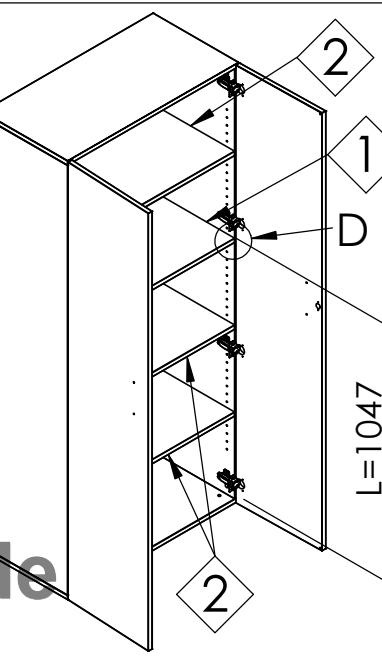
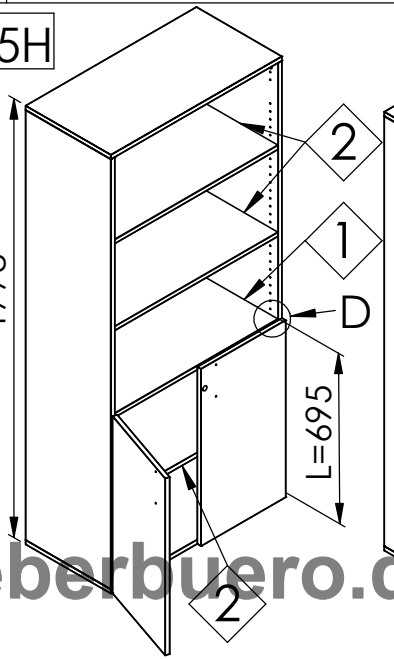
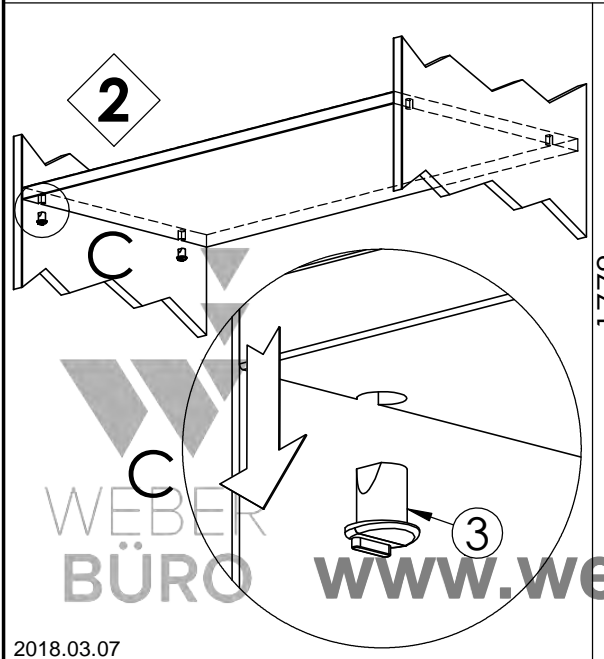
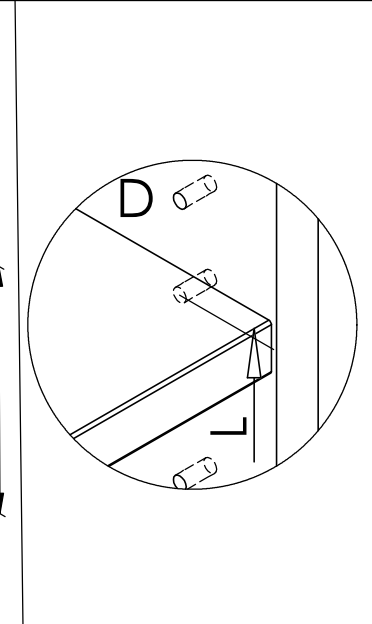
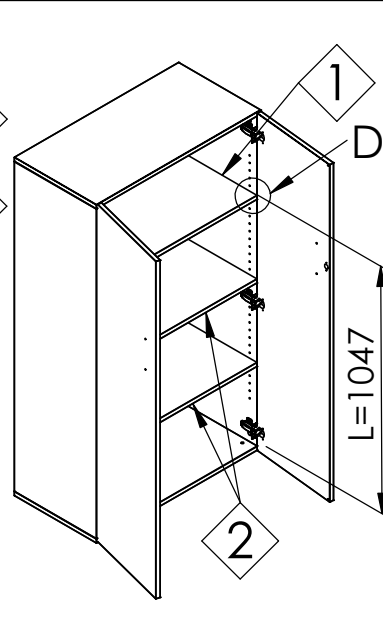
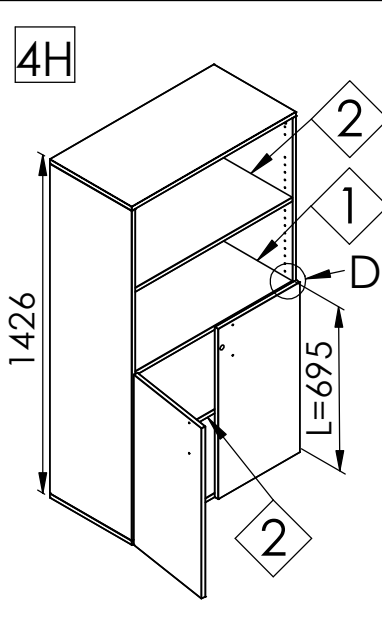
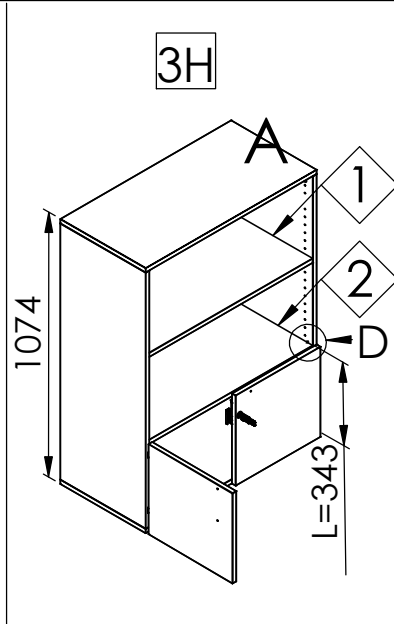
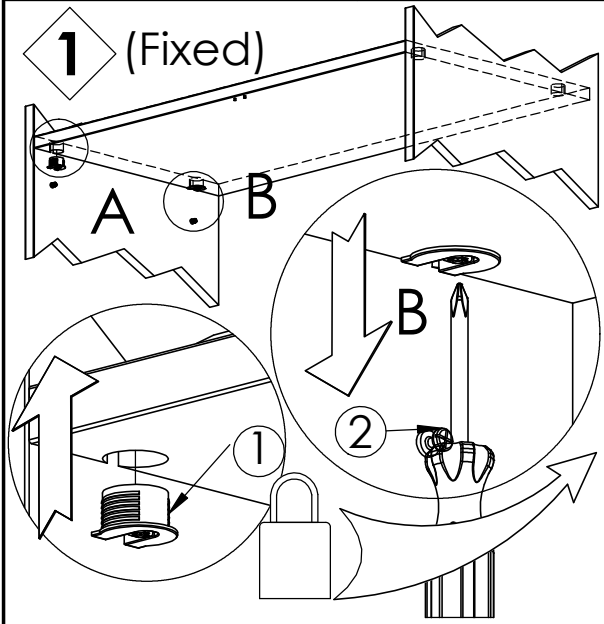
③



Инструменты для сборки:

Requiring tools:

Surinkimo schema  
Схема сборки  
Assembling scheme



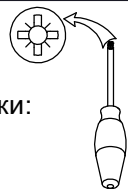
M60EC125

1 / 1

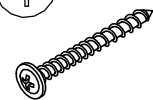
Reikalingi įrankiai:

Инструменты для сборки:

Required tools:



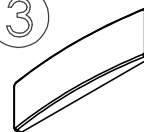
1



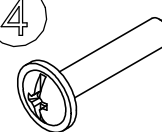
2



3

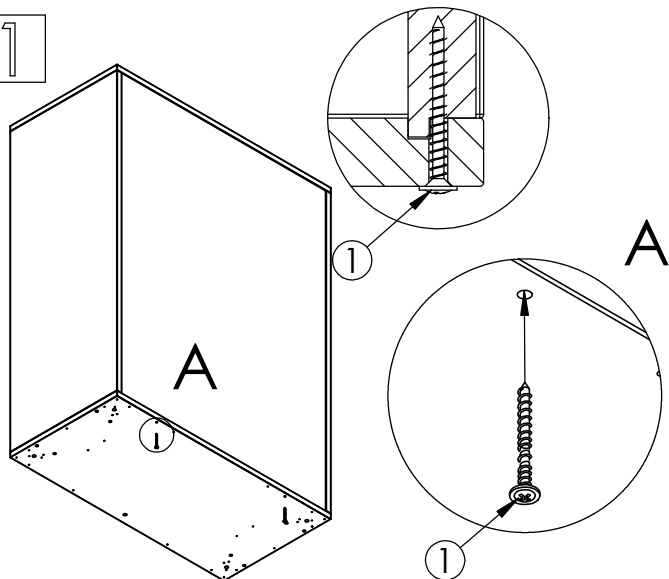


4

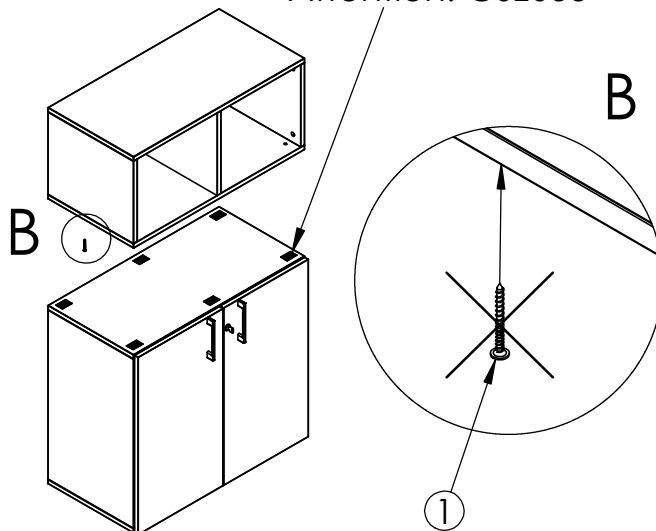


Surinkimo schema  
Схема сборки  
Assembling scheme

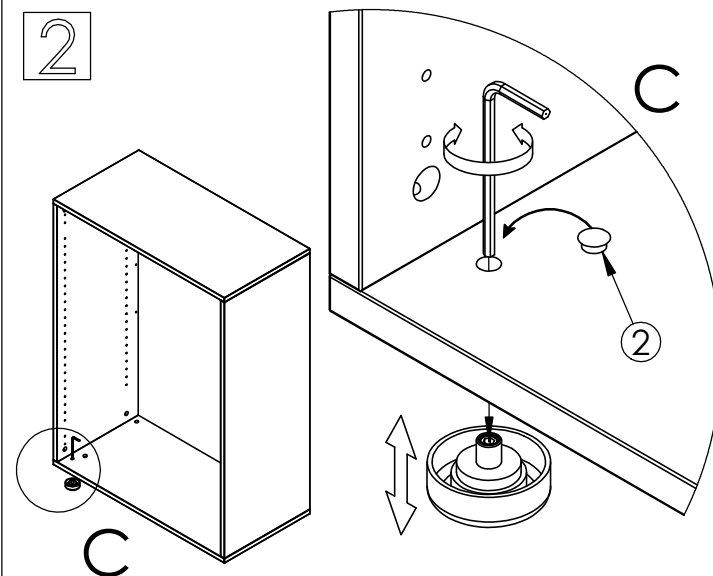
1



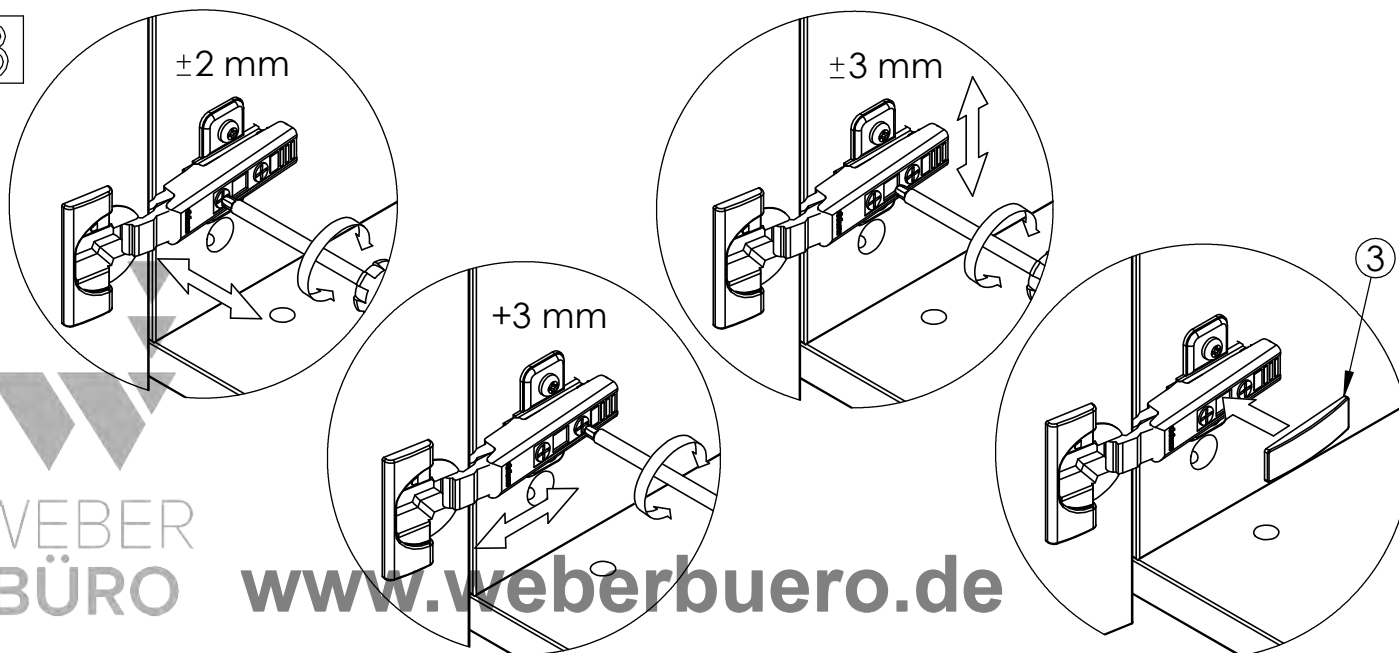
Attention! COZ053



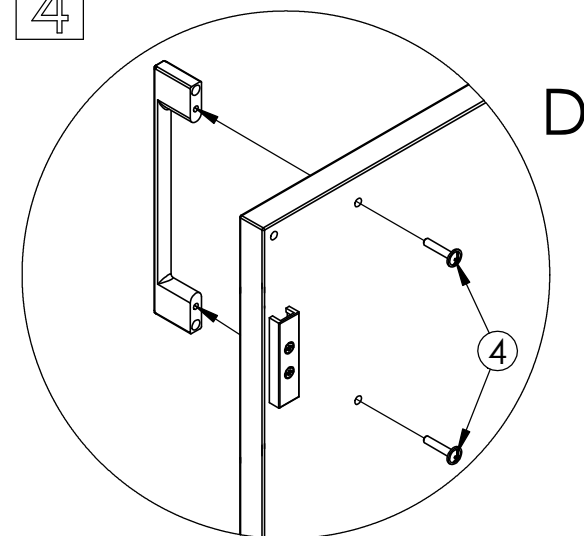
2



3



4



WEBER  
BÜRO

[www.weberbuero.de](http://www.weberbuero.de)