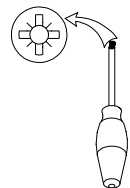


M60EC010

1 / 2



Required tools:

1



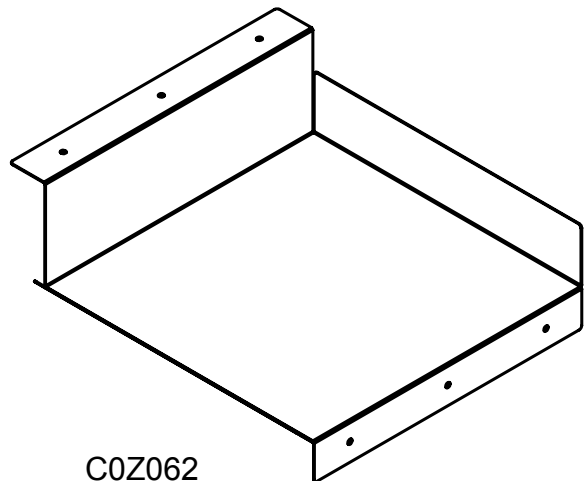
Hardware:

x6

Assembling scheme

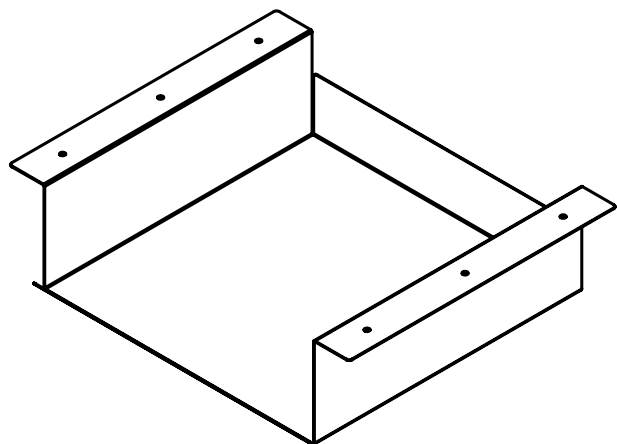
Product:

A

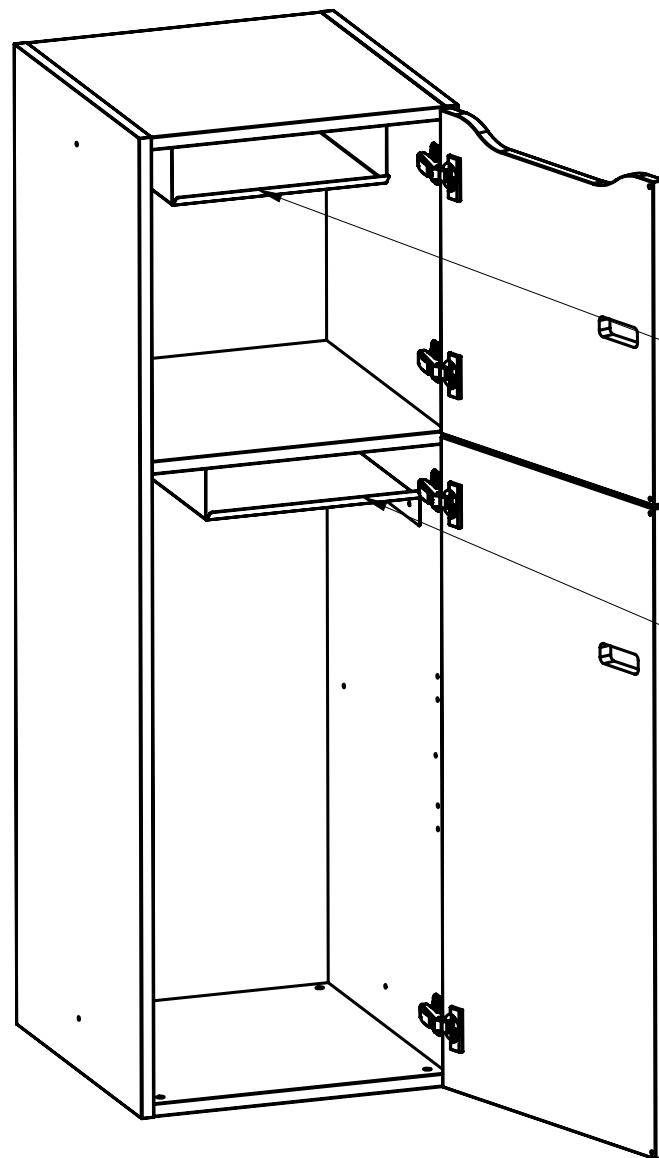


C0Z062

B

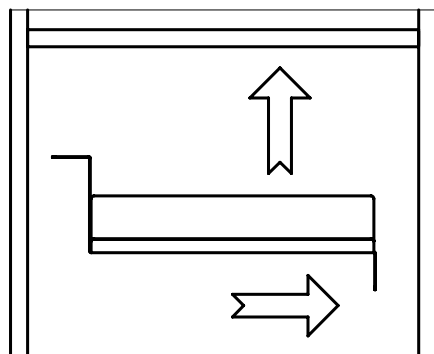


C0Z063



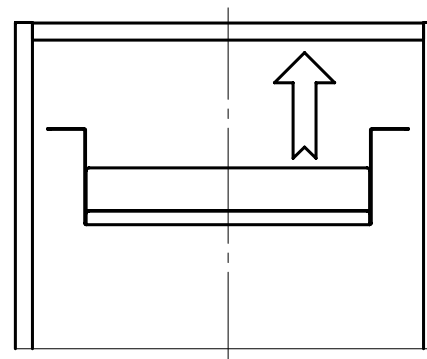
C0Z063

C0Z062

**A**

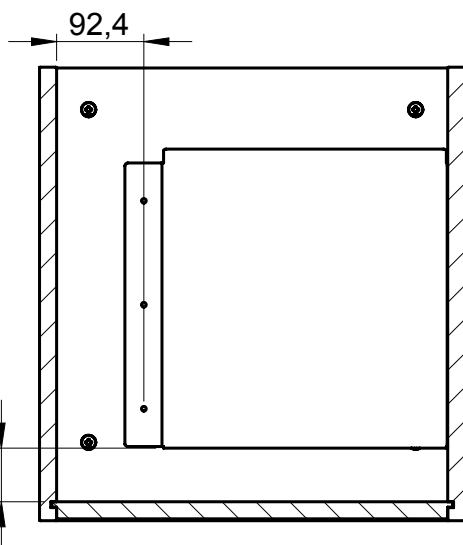
View from the front

step 1.  
before installing metal shelf  
press the folded metal  
corners to the right side and the top

**B**

View from the front

step 1.  
before installing metal shelf  
press the folded metal  
corners to the top.  
Make sure, that you align it  
to the center.

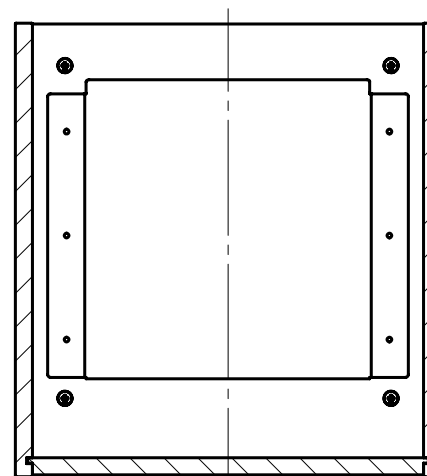


View from the bottom

step 2.  
To fix the shelf, use the hardware  
which is given in the package.



there is total of six holes,  
through which you can fix the shelf.



View from the bottom

step 2.  
To fix the shelf, use the hardware  
which is given in the package.



there is total of six holes,  
through which you can fix the shelf.