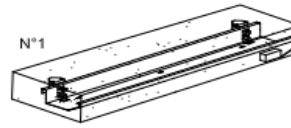
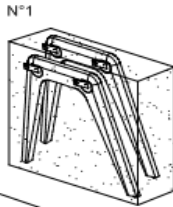
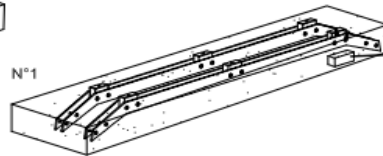
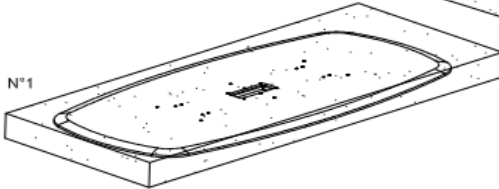


SHAPED TABLE (8-10 SEATER) - VENEER TOP



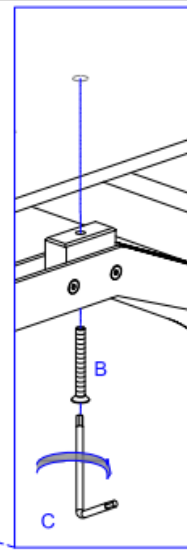
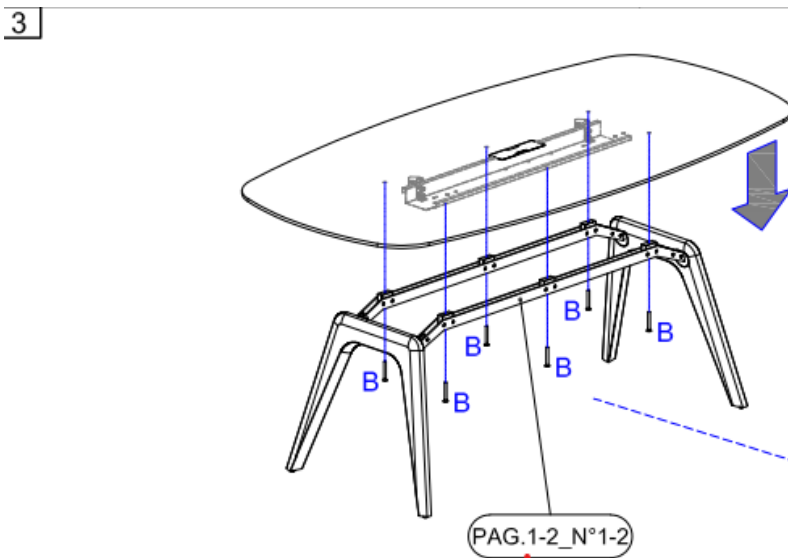
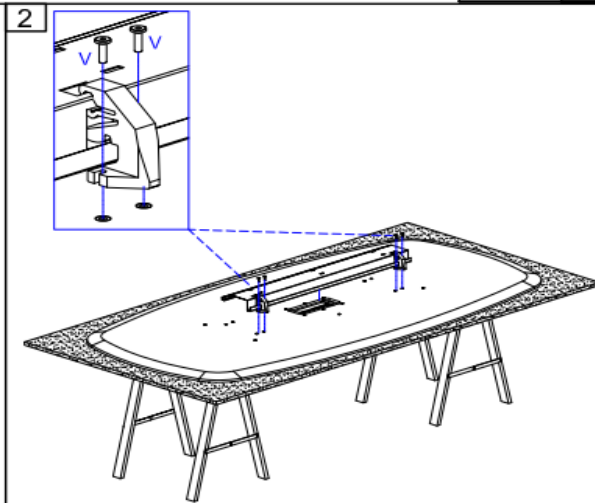
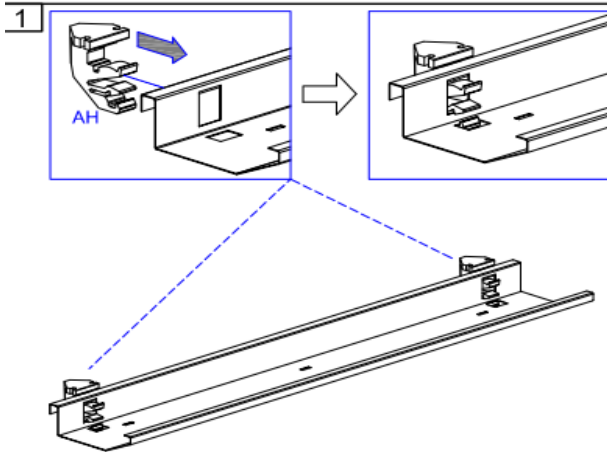
CHECK LIST

4FESC03000		
V		5
AH		2



CHECK LIST

4FESC052		
A		16
B		6
C		1

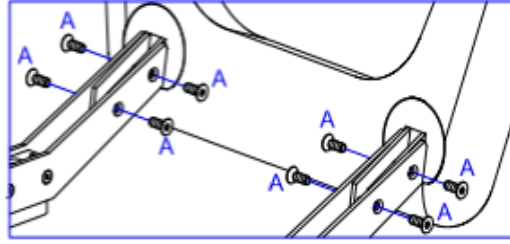
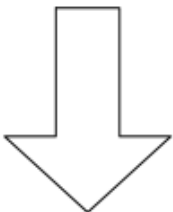
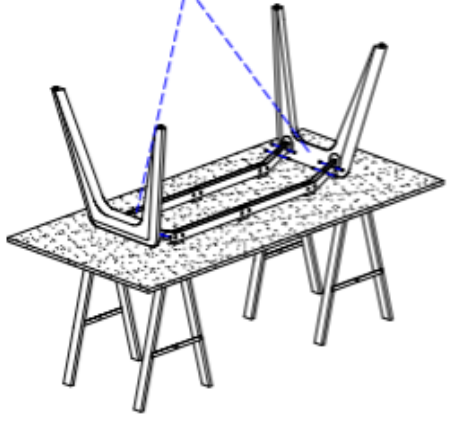
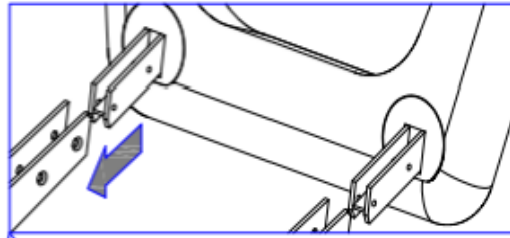


PAG.1-2_N°1-2



1

lena.trentin



2

